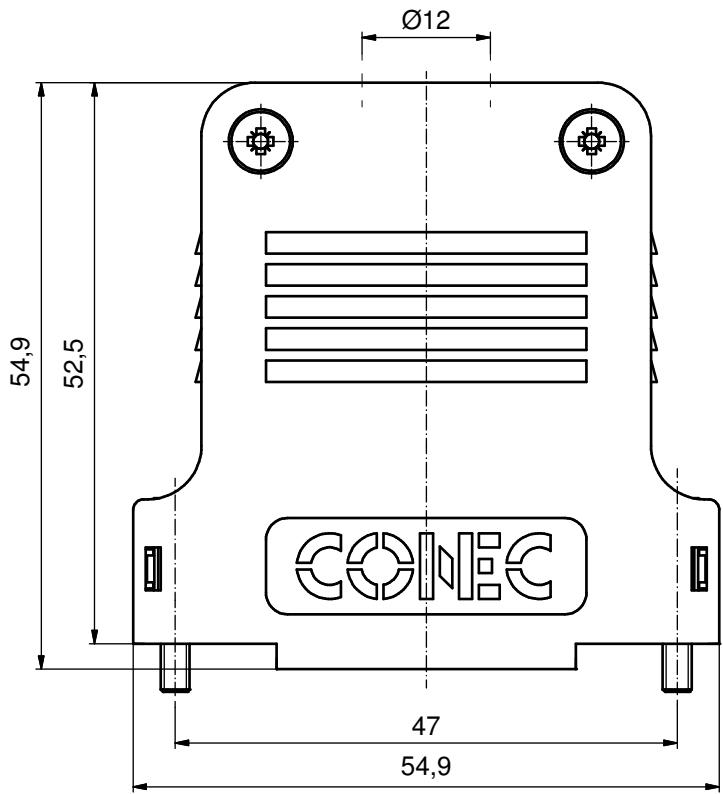


4-40 UNC

16,3



Ø12

54,9

52,5

47

54,9

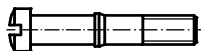
b



CABLE STRAIN RELIEF (1x)



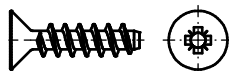
LENS HEAD SCREW (2x)



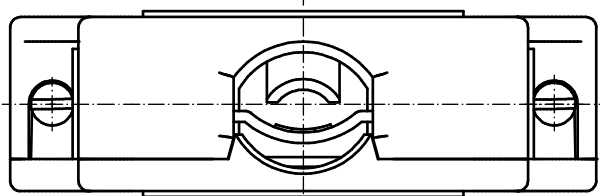
SHORT SCREW (2x)



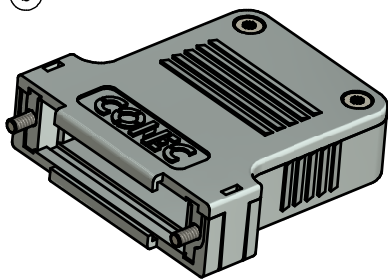
PRESS INSERT (1x)



COVER SCREW (2x)



b



NOTES:

1. HOOD + COVER: ABS UL 94 V-0; METALLIZED
2. CABLE STRAIN RELIEF: STEEL; NICKEL PLATED
3. PRESS INSERT: ABS UL 94 V-0; METALLIZED
4. SHORT SCREWS: STEEL; NICKEL PLATED
5. COVER SCREWS: STEEL; NICKEL PLATED
6. LENS HEAD SCREWS: STEEL; NICKEL PLATED

TECHNICAL DATA:

- TEMPERATURE RANGE: -33°C to + 90°C

Directive 2002/95/EC RoHS compliant

THIS DRAWING MAY NOT BE COPIED OR REPRODUCED IN ANY WAY, AND MAY NOT BE PASSED ON TO A THIRD PARTY WITHOUT WRITTEN PERMISSION. OWNERSHIP AND COPYRIGHT OF CONEC GmbH DO NOT ALTER CAD DRAWING BY HAND				tolerance		scale: 2:1
				date	name	material: SEE NOTES
				drawn	03.09.14	Unkrüer
				appd.	03.09.14	Lehmenkühler
				norm		
				d-old	16K2A171A	
3 x b	Ä 5304	03.09.2014	Unkrüer	title: PLASTIC HOOD 25pos. with straight cable exit dwg no: b 16K1A3495 part no: 165X13489X		
a	Original					
rev.	description	date	name	sh: 1		

