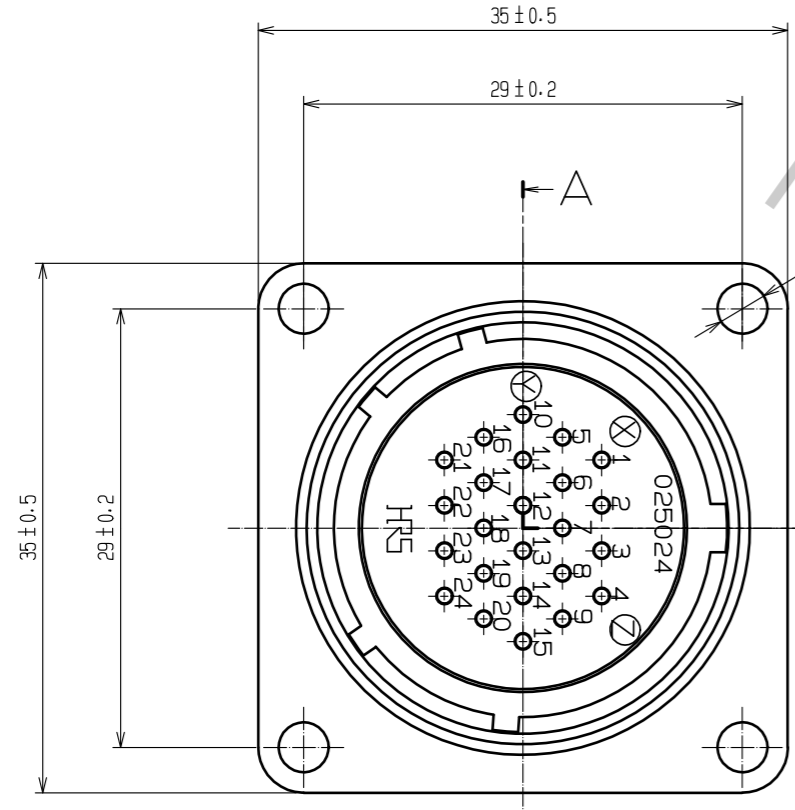
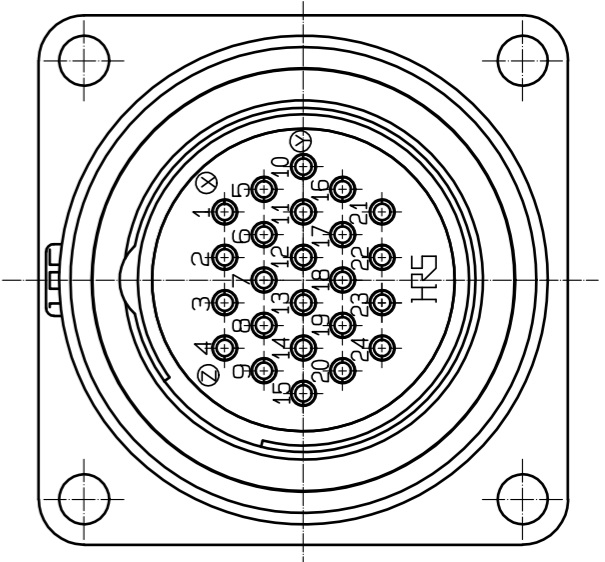
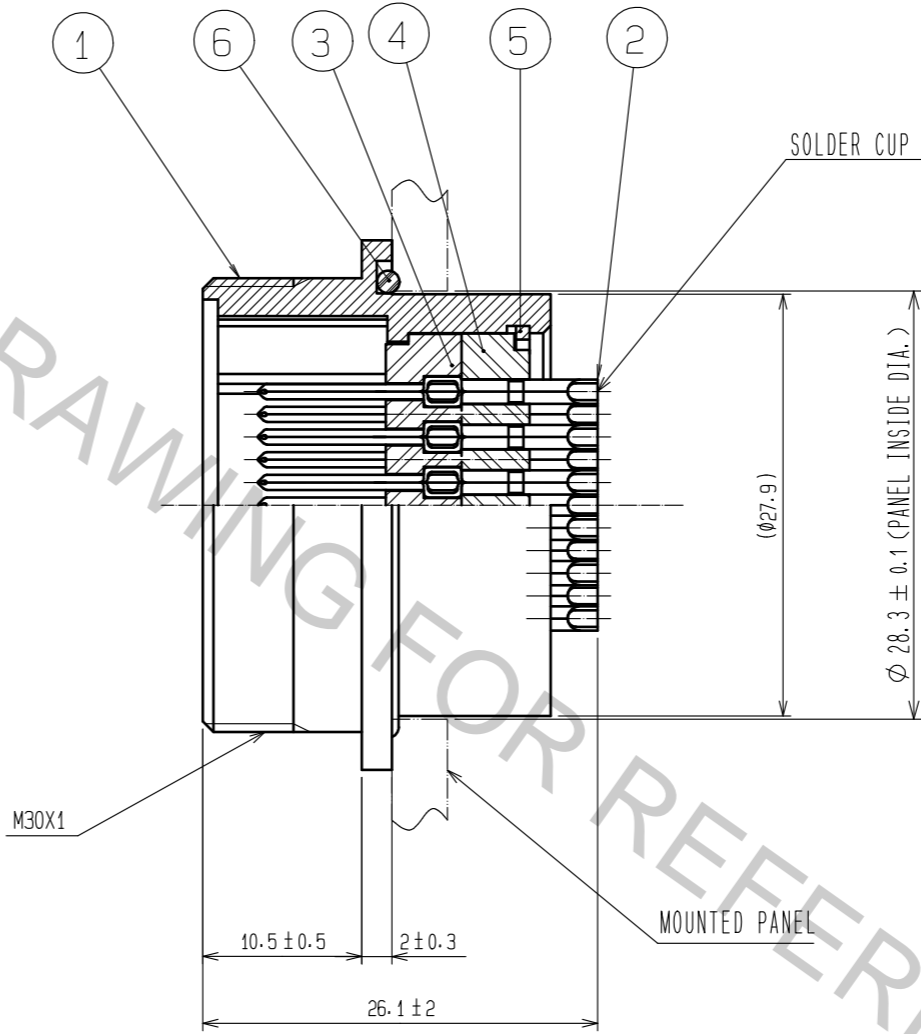


Aug.1.2018 Copyright 2018 HIROSE ELECTRIC CO., LTD. All Rights Reserved.  
 In case that the application demands a high level of reliability, such as automotive,  
 please contact a company representative for further information.



A-A



NOTE 1 MAKE SURE THAT REF. NO. Ⓞ DOES NOT HAVE ANY FACTORS TO REDUCE WATER-RESISTANCY,  
 SUCH AS SCRACH, PINCHING, OR DUST.

3	PHENOL FORMALDEHYDE (BLACK) UL94V-0	6	ACRYLONITRILE BUTADIENE RUBBER (BLACK)					
2	COPPER ALLOY SILVER PLATING $2\mu\text{m}$ min.	5	PHOSPHOR BRONZE NICKEL PLATING					
1	ALMINUM ALLOY BLACK CHROME PLATING	4	PHENOL FORMALDEHYDE (BLACK) UL94V-0					
NO.	MATERIAL	FINISH . REMARKS	NO.	MATERIAL	FINISH . REMARKS			
UNITS mm		SCALE 2 : 1	COUNT	DESCRIPTION OF REVISIONS		DESIGNED	CHECKED	DATE
<b>HRS</b> HIROSE ELECTRIC CO., LTD.		APPROVED : HY. KOBAYASHI	18.02.22	DRAWING NO. EDC-110586-31-00				
		CHECKED : HY. KOBAYASHI	18.02.22	PART NO. JR25WR-24P(31)				
		DESIGNED : TH. KAMEYA	18.02.21	CODE NO. CL114-2033-1-31				
		DRAWN : MK. INOUE	18.02.13					