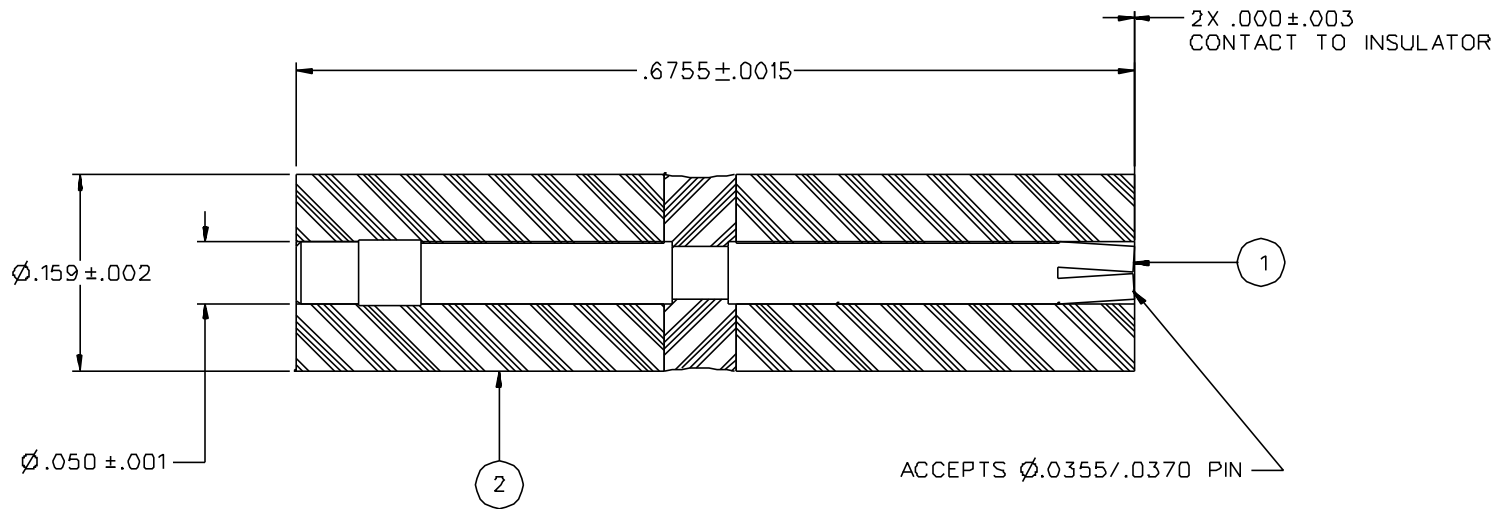


PART NUMBER	ITEM ① CONTACT	ITEM ② INSULATOR
142-1000-012	BERYLLIUM COPPER GOLD PL .00005 MIN OVER NICKEL PL .00005 MIN OVER COPPER PL .00005 MIN	TEFLON

DRAWING NO. B - 142-1000-012			
0 REVISIONS			
ENGINEERING RELEASE			
1	12-23-95	R H J B A	1-5-96 ECN 43830
CHANGED: UPDATED GRAPHICS TO SHOW CONTACT CHANGE			
2	10-28-96	R H J B A	11-4-96 ECN 44328
CHANGED: .6755 \pm .0015 WAS .700 \pm .003 UPDATED GRAPHICS			
3	10-27-97	R H J B A	ECN 45110



ACCEPTS \varnothing .0355/.0370 PIN

CUSTOMER DRAWING

THIS DRAWING TO BE INTERPRETED PER ANSI Y 14.5M - 1982

" μ STATION"


COMPANY CONFIDENTIAL

NOTES:

1. SPECIFICATIONS:

IMPEDEANCE: 50 OHMS NOMINAL
 FREQUENCY RANGE: DC TO 26.5 GHZ
 VSWR: DEPENDANT ON APPLICATION
 WORKING VOLTAGE: 335 VRMS MAX AT SEA LEVEL
 DIELECTRIC WITHSTANDING VOLTAGE: 1000 VRMS AT SEA LEVEL
 INSULATION RESISTANCE: 5000 MEGOHM MIN

CONTACT TO INSULATOR RETENTION: 6 LBS MIN
 OPERATING TEMPERATURE: -55 DEG C TO +165 DEG C

TOLERANCE UNLESS OTHERWISE SPECIFIED		DRAWN BY RJB	DATE 10-13-95	 Cinch Connectivity Solutions 299 Johnson Ave. Ste. 100 Waseca, MN 56093 1-800-247-8256
DECIMALS .XX	mm	CHECKED BY	DATE	
.XXX		APPROVED BY	DATE	TITLE ASSEMBLY, FEEDTHRU
MATL		APPROVED BY RJB	DATE 1-2-96	CODE NO.
FINISH		RELEASE DATE	1-5-96	DRAWING NO. B - 142-1000-012
		SCALE 10:1	U/M INCH	SHEET 2 OF 2