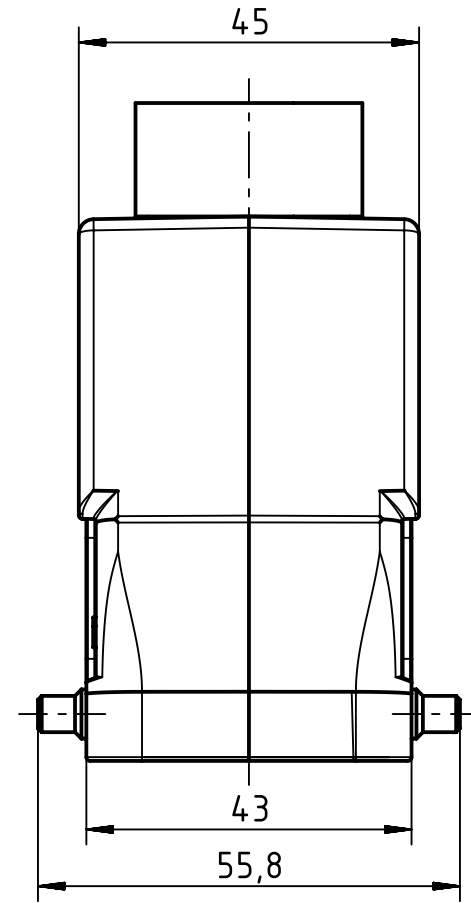
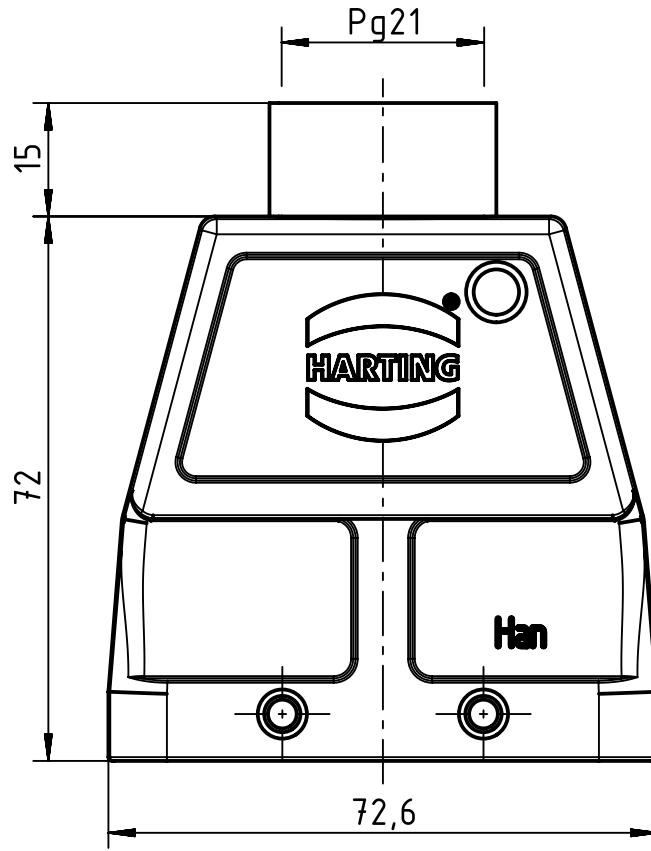
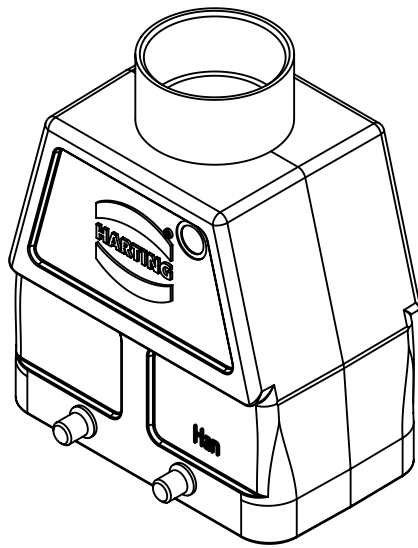



1 2 3 4 5 6

A  
B  
C  
D



	All rights reserved Department EL PD - DE	All Dimensions in mm Original Size DIN A4		Scale 1:1	Free size tol.		Ref. Sub. TB 09 62 810 0422 v. 01.02.00			
		HARTING Electric GmbH & Co. KG D-32339 Espelkamp	Created by SCHULZI	Inspected by BERGHORN	Standardisation TIEMANNA	Date 2014-07-21	State Final Release		Doc-Key / ECM-Nr. 100227521/UGD/002/B 500000061817	
		Title Han EMC/B 10 Hood Top Entry PG 21							Rev. B	Page 1/1
		Type TB	Number 09 62 810 0422							