

***Models***  
***885 & 886***  
***LCR METER***  
***OPERATING***  
***MANUAL***

---

**MANUAL DE INSTRUCCIONES**

**MEDIDOR LCR**

**Modelos 885 & 886**



# Contents

<b>1.</b>	<b>INTRODUCTION .....</b>	<b>1</b>
1.1	GENERAL.....	1
1.2	IMPEDANCE PARAMETERS .....	3
1.3	SPECIFICATION .....	6
1.4	ACCESSORIES .....	19
<b>2.</b>	<b>OPERATION.....</b>	<b>20</b>
2.1	PHYSICAL DESCRIPTION .....	20
2.2	MAKING MEASUREMENT .....	20
2.2.1	<i>Battery Replacement .....</i>	<i>21</i>
2.2.2	<i>Battery Recharging/AC operation.....</i>	<i>22</i>
2.2.3	<i>Open and Short Calibration .....</i>	<i>23</i>
2.2.4	<i>Display Speed.....</i>	<i>24</i>
2.2.5	<i>Relative Mode .....</i>	<i>24</i>
2.2.6	<i>Range Hold.....</i>	<i>24</i>
2.2.7	<i>DC Resistance Measurement.....</i>	<i>25</i>
2.2.8	<i>AC Impedance Measurement.....</i>	<i>25</i>
2.2.9	<i>Capacitance Measurement .....</i>	<i>25</i>
2.2.10	<i>Inductance Measurement.....</i>	<i>26</i>
2.3	ACCESSORY OPERATION .....	27
<b>4.</b>	<b>APPLICATION.....</b>	<b>29</b>
4.1	TEST LEADS CONNECTION .....	29
4.2	OPEN/SHORT COMPENSATION .....	34
4.3	SELECTING THE SERIES OR PARALLEL MODE.....	36
<b>5.</b>	<b>LIMITED THREE-YEAR WARRANTY .....</b>	<b>36</b>
<b>6.</b>	<b>SAFETY PRECAUTION .....</b>	<b>41</b>

# 1. Introduction

## 1.1 General

The B&K Precision Models 885 & 886 Synthesized In-Circuit LCR/ESR Meter is a high accuracy hand held portable test instrument used for measuring inductors, capacitors and resistors with a basic accuracy of 0.2%. It is the most advanced handheld AC/DC impedance measurement instrument to date. The 885 or 886 can help engineers and students to understand the characteristic of electronics components as well as being an essential tool on any service bench.

The instrument is auto or manual ranging. Test frequencies of 100Hz, 120Hz, 1KHz 10KHz or 100KHz (886) may be selected on all applicable ranges. The test voltages of 50mVrms, 0.25Vrms, 1Vrms or 1VDC (DCR only) may also be selected on all applicable ranges. The dual display feature permits simultaneous measurements.

Components can be measured in the series or parallel mode as desired; the more standard method is automatically selected first but can be overridden.

The Model 885 and 886 offers three useful modes for sorting components.

The highly versatile Models can perform virtually all the functions of most bench type LCR bridges. With a basic accuracy of 0.2%, this economical LCR meter may be adequately substituted for a

more expensive LCR bridge in many situations. The meter is powered from two AA Batteries and is supplied with an AC to DC charging adapter and two AA Ni-Mh Rechargeable Batteries.

The instrument has applications in electronic engineering labs, production facilities, service shops, and schools. It can be used to check ESR values of capacitors, sort values, select precision values, measure unmarked and unknown inductors, capacitors or resistors, and to measure capacitance, inductance, or resistance of cables, switches, circuit board foils, etc.

The key features are as following:

- Test condition:
  - 1 Frequency : 100Hz / 120Hz / 1KHz / 10KHz / 100KHz (886)
  2. Level : 1Vrms / 0.25Vrms / 50mVrms / 1VDC (DCR only)
- Measurement Parameters : Z, Ls, Lp, Cs, Cp, DCR, ESR, D, Q and  $\theta$
- Basic Accuracy: 0.2%
- Dual Liquid Crystal Display
- Fast/Slow Measurement
- Auto Range or Range Hold
- Open/Short Calibration
- Primary Parameters Display:
  - Z : AC Impedance
  - DCR : DC Resistance
  - Ls : Serial Inductance
  - Lp : Parallel Inductance

- Cs : Serial Capacitance
  - Cp : Parallel Capacitance
- Second Parameter Display:
  - $\theta$  : Phase Angle
  - ESR : Equivalence Serial Resistance
  - D : Dissipation Factor
  - Q : Quality Factor
- Combinations of Display:
  - Serial Mode :  $Z - \theta$ , Cs - D, Cs - Q, Cs - ESR, Ls - D, Ls - Q, Ls - ESR
  - Parallel Mode : Cp - D, Cp - Q, Lp - D, Lp - Q

## 1.2 Impedance Parameters

Due to the different testing signals on the impedance measurement instrument, there are DC impedance and AC impedance. The common digital multi-meter can only measure the DC impedance, but the Model 885 can do both. It is a very important issue to understand the impedance parameters of the electronic component.

When we analysis the impedance by the impedance measurement plane (Figure 1.1). It can be visualized by the real element on the X-axis and the imaginary element on the y-axis. This impedance measurement plane can also be seen as the polar coordinates. The Z is the magnitude and the  $\theta$  is the phase of the impedance.

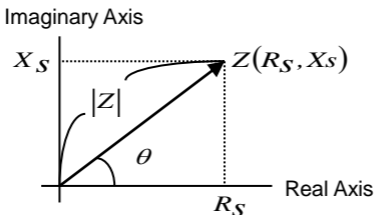


Figure 1.1

$$Z = R_s + jX_s = |Z| \angle \theta \ (\Omega)$$

$$R_s = |Z| \cos \theta \qquad |Z| = \sqrt{R_s^2 + X_s^2}$$

$$X_s = |Z| \sin \theta \qquad \theta = \tan^{-1} \left( \frac{X_s}{R_s} \right)$$

$Z$  = (Impedance)

$R_s$  = (Resistance)

$X_s$  = (Reactance)

$\Omega$  = (Ohm)

There are two different types of reactance: Inductive ( $X_L$ ) and Capacitive ( $X_C$ ). It can be defined as follows:

$$X_L = \omega L = 2\pi fL$$

$L$  = Inductance (H)

$$X_C = \frac{1}{\omega C} = \frac{1}{2\pi fC}$$

$C$  = Capacitance (F)

$f$  = Frequency (Hz)

Also, there are quality factor (Q) and the dissipation factor (D) that need to be discussed. For component, the quality factor serves as a measure of the reactance purity. In the real world, there is always

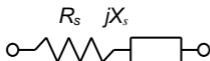
some associated resistance that dissipates power, decreasing the amount of energy that can be recovered. The quality factor can be defined as the ratio of the stored energy (reactance) and the dissipated energy (resistance). Q is generally used for inductors and D for capacitors.

$$\begin{aligned}
 Q &= \frac{1}{D} = \frac{1}{\tan \delta} \\
 &= \frac{|X_s|}{R_s} = \frac{\omega L_s}{R_s} = \frac{1}{\omega C_s R_s} \\
 &= \frac{|B|}{G} \\
 &= \frac{R_p}{|X_p|} = \frac{R_p}{\omega L_p} = \omega C_p R_p
 \end{aligned}$$

There are two types of the circuit mode. One is series mode, the other is parallel mode. See Figure 1.2 to find out the relation of the series and parallel mode.

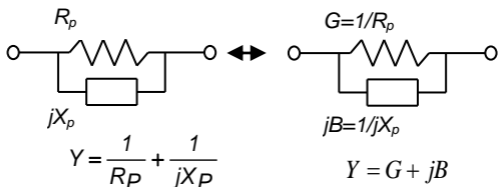


## Real and imaginary components are serial



$$Z = R_s + jX_s$$

## Real and imaginary components are Parallel



$$Y = \frac{1}{R_p} + \frac{1}{jX_p}$$

$$Y = G + jB$$

Figure 1.2

## 1.3 Specification

- LCD Display Range:

Parameter	Range	
Z	0.000 $\Omega$	to 9999 M $\Omega$
L	0.000 $\mu\text{H}$	to 9999 H
C	0.000 pF	to 9999 F
DCR	0.000 $\Omega$	to 9999 M $\Omega$
ESR	0.000 $\Omega$	to 9999 $\Omega$
D	0.000	to 9999
Q	0.000	to 9999
$\theta$	-180.0 $^\circ$	to 180.0 $^\circ$

● Accuracy ( $A_e$ ):

Z Accuracy:

$ Z_x $ Freq.	20M ~ 10M ( $\Omega$ )	10M ~ 1M ( $\Omega$ )	1M ~ 100K ( $\Omega$ )	100K ~ 10 ( $\Omega$ )	10 ~ 1 ( $\Omega$ )	1 ~ 0.1 ( $\Omega$ )
DCR	2% $\pm$ 1	1% $\pm$ 1	0.5% $\pm$ 1	0.2% $\pm$ 1	0.5% $\pm$ 1	1% $\pm$ 1
100Hz	❶					❶
120Hz						
1KHz						
10KHz	5% $\pm$ 1 ❶	2% $\pm$ 1				
100KHz (886)	NA	5% $\pm$ 1 ❶	2% $\pm$ 1	0.4% $\pm$ 1	2% $\pm$ 1	5% $\pm$ 1 ❶

- Note :
- 1.The accuracy applies when the test level is set to 1Vrms.
  2. $A_e$  multiplies 1.25 when the test level is set to 250mVrms.
  3. $A_e$  multiplies 1.50 when the test level is set to 50mVrms.
  - 4.When measuring L and C, multiply  $A_e$  by  $\sqrt{1+D_x^2}$  if the  $D_x > 0.1$ .
- ❶ :  $A_e$  is not specified if the test level is set to 50mV.

## C Accuracy :

100Hz	79.57 pF   159.1 pF	159.1 pF   1.591 nF	1.591 nF   15.91 nF	15.91 nF   159.1 uF	159.1 uF   1591 uF	1591 uF   15.91 mF
	2% ± 1 ❶	1% ± 1	0.5% ± 1	0.2% ± 1	0.5% ± 1	1% ± 1 ❶
120Hz	66.31 pF   132.6 pF	132.6 pF   1.326 nF	1.326 nF   13.26 nF	13.26 nF   132.6 uF	132.6 uF   1326 uF	1326 uF   13.26 mF
	2% ± 1 ❶	1% ± 1	0.5% ± 1	0.2% ± 1	0.5% ± 1	1% ± 1 ❶
1KHz	7.957 pF   15.91 pF	15.91 pF   159.1 pF	159.1 pF   1.591 nF	1.591 nF   15.91 uF	15.91 uF   159.1 uF	159.1 uF   1.591 mF
	2% ± 1 ❶	1% ± 1	0.5% ± 1	0.2% ± 1	0.5% ± 1	1% ± 1 ❶
10KHz	0.795 pF   1.591 pF	1.591 pF   15.91 pF	15.91 pF   159.1 pF	159.1 pF   1.591 uF	1.591 uF   15.91 uF	15.91 uF   159.1 uF
	5% ± 1 ❶	2% ± 1	0.5% ± 1	0.2% ± 1	0.5% ± 1	1% ± 1 ❶
100KHz (886)	NA	0.159 pF   1.591 pF	1.591 pF   15.91 pF	15.91 pF   159.1 nF	159.1 nF   1.591 uF	1.591 uF   15.91 uF
	NA	5% ± 1 ❶	2% ± 1	0.4% ± 1	2% ± 1	5% ± 1 ❶

## L Accuracy :

100Hz	31.83 KH   15.91 KH	15.91 KH   1591 H	1591 H   159.1 H	159.1 H   15.91 mH	15.91 mH   1.591 mH	1.591 mH   159.1 uH
	2% ± 1 ❶	1% ± 1	0.5% ± 1	0.2% ± 1	0.5% ± 1	1% ± 1 ❶
120Hz	26.52 KH   13.26 KH	13.26 KH   1326 H	1326 H   132.6 H	132.6 H   13.26 mH	13.26 mH   1.326 mH	1.326 mH   132.6 uH
	2% ± 1 ❶	1% ± 1	0.5% ± 1	0.2% ± 1	0.5% ± 1	1% ± 1 ❶
1KHz	31.83 KH   1.591 KH	1.591 KH   159.1 H	159.1 H   15.91 H	15.91 H   1.591 mH	1.591 mH   159.1 uH	159.1 uH   15.91 uH
	2% ± 1 ❶	1% ± 1	0.5% ± 1	0.2% ± 1	0.5% ± 1	1% ± 1 ❶
10KHz	318.3 H   159.1 H	159.1 H   15.91 H	15.91 H   1.591 H	1.591 H   159.1 uH	159.1 uH   15.91 uH	15.91 uH   1.591 uH
	5% ± 1 ❶	2% ± 1	0.5% ± 1	0.2% ± 1	0.5% ± 1	1% ± 1 ❶
100KHz (886)	31.83 H   15.91 H	15.91 H   1.591 H	1.591 H   159.1 mH	159.1 mH   15.91 uH	15.91 uH   1.591 uH	1.591 uH   0.159 uH
	NA	5% ± 1 ❶	2% ± 1	0.4% ± 1	2% ± 1	5% ± 1 ❶

### D Accuracy :

Freq. \  Z <sub>x</sub>	20M ~ 10M (Ω)	10M ~ 1M (Ω)	1M ~ 100K (Ω)	100K ~ 10 (Ω)	10 ~ 1 (Ω)	1 ~ 0.1 (Ω)
100Hz	±0.020 ①	±0.010	±0.005	±0.002	±0.005	±0.010 ①
120Hz						
1KHz						
10KHz	±0.050 ①	±0.020				
100KHz (886)	NA	±0.050 ①	±0.020	±0.004	±0.020	±0.050 ①

### θ Accuracy :

Freq. \  Z <sub>x</sub>	20M ~ 10M (Ω)	10M ~ 1M (Ω)	1M ~ 100K (Ω)	100K ~ 10 (Ω)	10 ~ 1 (Ω)	1 ~ 0.1 (Ω)
100Hz	±1.046 ①	±0.523	±0.261	±0.105	±0.261	±0.523 ①
120Hz						
1KHz						
10KHz	±2.615 ①	±1.046				
100KHz (886)	NA	±2.615 ①	±1.046	±0.209	±1.046	±2.615 ①

## Z Accuracy:

As shown in table 1.

## C Accuracy:

$$|Z_x| = \frac{1}{2 \cdot \pi \cdot f \cdot C_x}$$

$C_{Ae} = Ae$  of  $|Z_x|$

$f$  : Test Frequency (Hz)

$C_x$  : Measured Capacitance Value (F)

$|Z_x|$  : Measured Impedance Value ( $\Omega$ )

Accuracy applies when  $D_x$  (measured D value)  $\leq 0.1$

When  $D_x > 0.1$ , multiply  $C_{Ae}$  by  $\sqrt{1 + D_x^2}$

Example:

Test Condition:

Frequency : 1KHz

Level : 1Vrms

Speed : Slow

DUT : 100nF

Then

$$\begin{aligned} |Z_x| &= \frac{1}{2 \cdot \pi \cdot f \cdot C_x} \\ &= \frac{1}{2 \cdot \pi \cdot 10^3 \cdot 100 \cdot 10^{-9}} = 1590\Omega \end{aligned}$$

Refer to the accuracy table, get  $C_{Ae} = \pm 0.2\%$

## L Accuracy:

$$|Z_x| = 2 \cdot \pi \cdot f \cdot L_x$$

$L_{Ae}$  = Ae of  $|Z_x|$

$f$  : Test Frequency (Hz)

$L_x$  : Measured Inductance Value (H)

$|Z_x|$  : Measured Impedance Value ( $\Omega$ )

Accuracy applies when  $D_x$  (measured D value)  $\leq 0.1$

When  $D_x > 0.1$ , multiply  $L_{Ae}$  by  $\sqrt{1 + D_x^2}$

Example:

Test Condition:

Frequency : 1KHz

Level : 1Vrms

Speed : Slow

DUT : 1mH

Then

$$|Z_x| = 2 \cdot \pi \cdot f \cdot L_x$$

$$= 2 \cdot \pi \cdot 10^3 \cdot 10^{-3} = 6.283\Omega$$

Refer to the accuracy table, get  $L_{Ae} = \pm 0.5\%$

## ESR Accuracy:

$$ESR_{Ae} = \pm X_x \cdot \frac{Ae}{100}$$

$$X_x = 2 \cdot \pi \cdot f \cdot L_x = \frac{1}{2 \cdot \pi \cdot f \cdot C_x}$$

$$ESR_{Ae} = Ae \text{ of } |Zx|$$

f : Test Frequency (Hz)

Xx : Measured Reactance Value ( $\Omega$ )

Lx : Measured Inductance Value (H)

Cx : Measured Capacitance Value (F)

Accuracy applies when Dx (measured D value)  $\leq 0.1$

Example:

Test Condition:

Frequency : 1KHz

Level : 1Vrms

Speed : Slow

DUT : 100nF

Then

$$\begin{aligned} |Zx| &= \frac{1}{2 \cdot \pi \cdot f \cdot Cx} \\ &= \frac{1}{2 \cdot \pi \cdot 10^3 \cdot 100 \cdot 10^{-9}} = 1590\Omega \end{aligned}$$

Refer to the accuracy table, get

$C_{Ae} = \pm 0.2\%$ ,

$$ESR_{Ae} = \pm Xx \cdot \frac{Ae}{100} = \pm 3.18\Omega$$

**D Accuracy:**

$$D_{Ae} = \pm \frac{Ae}{100}$$



$D_{Ae} = Ae$  of  $|Z_x|$

Accuracy applies when  $D_x$  (measured D value)  $\leq 0.1$

When  $D_x > 0.1$ , multiply  $D_x$  by  $(1+D_x)$

Example:

Test Condition:

Frequency : 1KHz

Level : 1Vrms

Speed : Slow

DUT : 100nF

Then

$$|Z_x| = \frac{1}{2 \cdot \pi \cdot f \cdot C_x}$$
$$= \frac{1}{2 \cdot \pi \cdot 10^3 \cdot 100 \cdot 10^{-9}} = 1590\Omega$$

Refer to the accuracy table, get

$C_{Ae} = \pm 0.2\%$ ,

$$D_{Ae} = \pm \cdot \frac{Ae}{100} = \pm 0.002$$

**Q Accuracy:**

$$Q_{Ae} = \pm \frac{Q_x^2 \cdot De}{1 \mu Q_x \cdot De}$$

$Q_{Ae} = Ae$  of  $|Z_x|$

$Q_x$  : Measured Quality Factor Value

$De$  : Relative D Accuracy

Accuracy applies when  $Qx \cdot De < 1$

Example:

Test Condition:

Frequency : 1KHz

Level : 1Vrms

Speed : Slow

DUT : 1mH

Then

$$\begin{aligned}|Zx| &= 2 \cdot \pi \cdot f \cdot Lx \\ &= 2 \cdot \pi \cdot 10^3 \cdot 10^{-3} = 6.283\Omega\end{aligned}$$

Refer to the accuracy table, get

$L_{Ae} = \pm 0.5\%$ ,

$$De = \pm \cdot \frac{Ae}{100} = \pm 0.005$$

If measured  $Qx = 20$

Then

$$\begin{aligned}Q_{Ae} &= \pm \frac{Qx^2 \cdot De}{1 \mu Qx \cdot De} \\ &= \pm \frac{2}{1 \mu 0.1}\end{aligned}$$

**$\theta$  Accuracy:**

$$\theta_e = \frac{180}{\pi} \cdot \frac{Ae}{100}$$

Example:

Test Condition:

Frequency : 1KHz

Level : 1Vrms

Speed : Slow

DUT : 100nF

Then

$$\begin{aligned} |Z_x| &= \frac{1}{2 \cdot \pi \cdot f \cdot C_x} \\ &= \frac{1}{2 \cdot \pi \cdot 10^3 \cdot 100 \cdot 10^{-9}} = 1590\Omega \end{aligned}$$

Refer to the accuracy table, get

$Z_{Ae} = \pm 0.2\%$ ,

$$\begin{aligned} \theta_{Ae} &= \pm \frac{180}{\pi} \cdot \frac{Ae}{100} \\ &= \pm \frac{180}{\pi} \cdot \frac{0.2}{100} = \pm 0.115 \text{ deg} \end{aligned}$$

● Testing Signal:

Level Accuracy :  $\pm 5\%$

Frequency Accuracy :  $0.1\%$

● Output Impedance :  $100\Omega \pm 5\%$

● Measuring Speed:

Fast : 4.5 meas. / sec.

Slow : 2.5 meas. / sec.

● General:

Temperature	: 0°C to 70°C (Operating) -20°C to 70°C (Storage)
Relative Humidity	: Up to 85%
Battery Type	: 2 AA size Ni-Mh or Alkaline
Battery Charge	: Constant current 150mA approximately
Battery Operating Time	: 2.5 Hours typical
AC Operation	: 110/220V AC, 60/50Hz with proper adapter
Low Power Warning	: under 2.2V
Dimensions	: 174mm x 86mm x 48mm (L x W x H) 6.9" x 3.4" x 1.9"
Weight	: 470g

### Considerations

Test Frequency. The test frequency is user selectable and can be changed. Generally, a 1 KHz test signal or higher is used to measure capacitors that are 0.01uF or smaller and a 120Hz test signal is used for capacitors that are 10uF or larger. Typically a 1 kHz test signal or higher is used to measure inductors that are used in audio and RF (radio frequency) circuits. This is because these components operate at higher frequencies and require that they be measured at a higher frequency of 1 KHz. Generally, inductors below 2mH should be measured at 1 kHz and inductors above 200H should be measured at 120Hz.

It is best to check with the component manufacturers' data sheet to determine the best test frequency for the device.

## Charged Capacitors

**Always discharge any capacitor prior to making a measurement since a charged capacitor may seriously damage the meter.**

## Effect Of High D on Accuracy

A low D (Dissipation Factor) reading is desirable. Electrolytic capacitors inherently have a higher dissipation factor due to their normally high internal leakage characteristics. If the D (Dissipation Factor) is excessive, the capacitance measurement accuracy may be degraded.

It is best to check with the component manufacturers' data sheet to determine the desirable D value of a good component.

## Measuring Capacitance of Cables, Switches or Other Parts

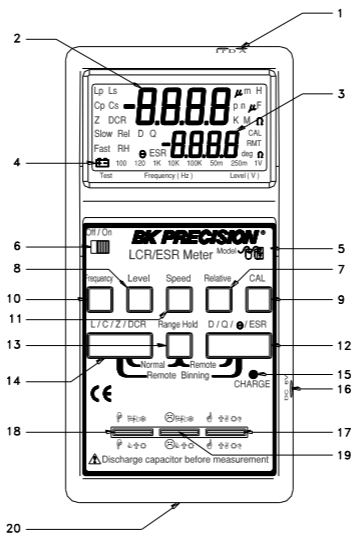
Measuring the capacitance of coaxial cables is very useful in determining the actual length of the cable. Most manufacturer specifications list the amount of capacitance per foot of cable and therefore the length of the cable can be determined by measuring the capacitance of that cable.

For example: A manufacturers, specification calls out a certain cable, to have a capacitance of 10 pF per foot, After measuring the cable a capacitance reading of 1.000 nF is displayed. Dividing 1000pF (1.000 nF) by 10 pF per foot yields the length of the cable to be approximately 100 feet.



## 2. Operation

### 2.1 Physical Description



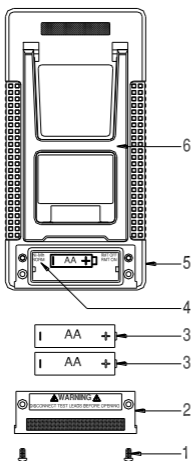
1. NA
2. Primary Parameter Display
3. Secondary Parameter Display
4. Low Battery Indicator
5. Model Number
6. Power Switch
7. Relative Key
8. Measurement Level Key
9. Open/Short Calibration Key
10. Measurement Frequency Key
11. Display Update Speed Key
12. D/Q/ $\theta$ /ESR Function Key
13. Range Hold Key
14. L/C/Z/DCR Function Key
15. Battery Charge Indicator
16. DC Adapter Input Jack
17. Guard Terminal
18. HPOT/HCUR Terminal
19. LPOT/LCUR Terminal
20. Battery Compartment

## 2.2 Making Measurement

### 2.2.1 Battery Replacement

When the LOW BATTERY INDICATOR lights up during normal operation, the batteries in the Models 885 & 886 should be replaced or recharged to maintain proper operation. Please perform the following steps to change the batteries:

1. Remove the battery hatch by unscrewing the screw of the battery compartment.
2. Take out the old batteries and insert the new batteries into the battery compartment. Please watch out for battery polarity when installing new batteries.
3. Replace the battery hatch by reversing the procedure used to remove it.



1	Screws
2	Battery Compartment Hatch
3	Batteries
4	Norm/Ni-Mh Switch
5	Back Case
6	Tilt Stand

### Battery Replacement



## 2.2.2 Battery Recharging/AC operation

---

### Caution



Only the Models 885 or 886 standard accessory AC to DC adapter can be used with Model 885. Other battery eliminator or charger may result in damage to Modes 885 or 886.

---

The Models 885 & 886 works on external AC power or internal batteries. To power the Model 885 with AC source, make sure that the Models 885 or 886 is off, then plug one end of the AC to DC adapter into the DC jack on the right side of the instrument and the other end into an AC outlet.

There is a small slide switch inside the battery compartment called Battery Select Switch. If the Ni-Mh or Ni-Cd rechargeable batteries are installed in Models 885 or 886, set the Battery Select Switch to "Ni-Mh" position. The Ni-Mh or Ni-Cd batteries can be recharged when the instrument is operated by AC source. The LED for indicating battery charging will light on. If the non-rechargeable batteries (such as alkaline batteries) are installed in Models 885 or 886, set the Battery Select Switch to "NORM" position for disconnecting the charging circuit to the batteries.

---

### Warning



The Battery Select Switch must be set in the "NORM" position when using non-rechargeable batteries. Non-rechargeable batteries may explode if the AC adapter is used with non-rechargeable batteries. Warranty is voided if this happened.

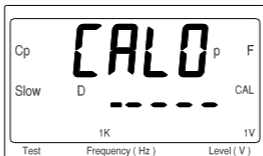
---

### 2.2.3 Open and Short Calibration

The Models 885 & 886 provides open/short calibration capability so the user can get better accuracy in measuring high and low impedance. We recommend that the user performs open/short calibration if the test level or frequency has been changed.

- Open Calibration

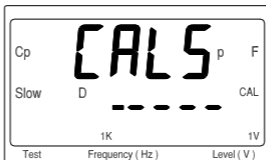
First, remaining the measurement terminals with the open status, then press the **CAL** key shortly (no more than two second), the LCD will display:



This calibration takes about 10 seconds. After it is finished, the Model 885 will beep to show that the calibration is done.

- Short Calibration

To perform the short calibration, insert the Shorting Bar into the measurement terminals. Press the **CAL** key for more than two second, the LCD will display:



This calibration takes about 10 seconds. After it is finished, the Model 885 will beep to show that the calibration is done.

## 2.2.4 Display Speed

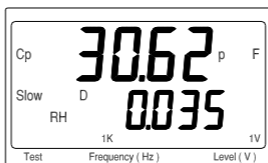
The Models 885 & 886 provides two different display speeds (Fast/Slow). It is controlled by the **Speed** key. When the speed is set to fast, the display will update 4.5 readings every second. When the speed is set to slow, it's only 2.5 readings per second.

## 2.2.5 Relative Mode

The relative mode lets the user to make quick sort of a bunch of components. First, insert the standard value component to get the standard value reading. (Approximately 5 seconds in Fast Mode to get a stable reading.) Then, press the **Relative** key, the primary display will reset to zero. Remove the standard value component and insert the unknown component, the LCD will show the value that is the difference between the standard value and unknown value.

## 2.2.6 Range Hold

To set the range hold, insert a standard component in that measurement range. (Approximately 5 seconds in Fast Mode to get a stable reading.) Then, by pressing the **Range Hold** key it will hold the range within 0.5 to 2 times of the current measurement range. When the **Range Hold** is press the LCD display:



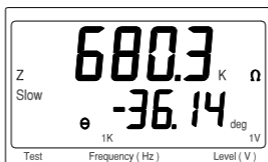
## 2.2.7 DC Resistance Measurement

The DC resistance measurement measures the resistance of an unknown component by 1VDC. Select the **L/C/Z/DCR** key to make the DCR measurement. The LCD display:



## 2.2.8 AC Impedance Measurement

The AC impedance measurement measures the Z of an unknown device. Select the **L/C/Z/DCR** key to make the Z measurement. The LCD display:

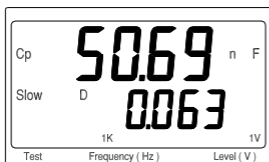


The testing level and frequency can be selected by pressing the **Level** key and **Frequency** key, respectively.

## 2.2.9 Capacitance Measurement

To measure the capacitance of a component, select the **L/C/Z/DCR** key to Cs or Cp mode. Due to the circuit structure, there are two modes that can be selected (Serial Mode – Cs and Parallel Mode – Cp). If the serial mode (Cs) is selected, the D, Q and ESR can be shown on the secondary display. If the parallel mode (Cp) is selected, only the D and Q can be shown on the secondary display. The following

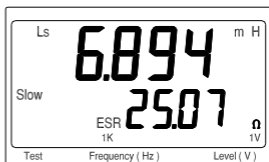
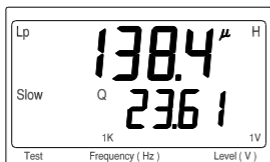
shows some examples of capacitance measurement:



The testing level and frequency can be selected by pressing the **Level** key and **Frequency** key, respectively.

## 2.2.10 Inductance Measurement

Select the **L/C/Z/DCR** key to Ls or Lp mode for measuring the inductance in serial mode or parallel mode. If the serial mode (Ls) is selected, the D, Q and ESR can be shown on the secondary display. If the parallel mode (Lp) is selected, only the D and Q can be shown on the secondary display. The following shows some examples of capacitance measurement:



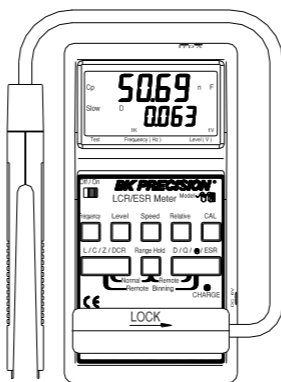
The testing level and frequency can be selected by pressing the **Level** key and **Frequency** key, respectively.

## 2.3 Accessory Operation

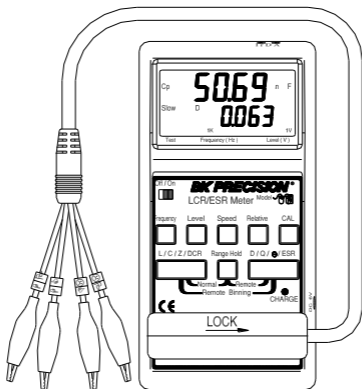
Follow the figures below to attach the test probes for making measurement.



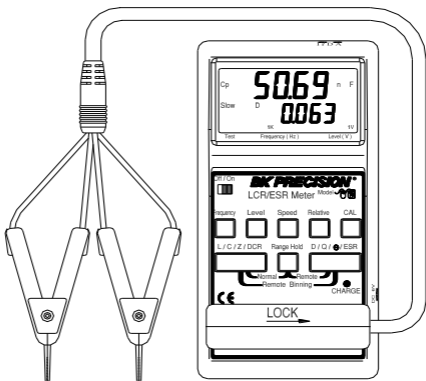
**Shorting Bar**



**TL885A SMD Test Probe**



**TL885B 4-Wire Test Clip**



**TL08C Kelvin Clip**

## 4. Application

### 4.1 Test Leads Connection

Auto balancing bridge has four terminals ( $H_{CUR}$ ,  $H_{POT}$ ,  $L_{CUR}$  and  $L_{POT}$ ) to connect to the device under test (DUT). It is important to understand what connection method will affect the measurement accuracy.

#### ● 2-Terminal (2T)

2-Terminal is the easiest way to connect the DUT, but it contains many errors which are the inductor and resistor as well as the parasitic capacitor of the test leads (Figure 3.1). Due to these errors in measurement, the effective impedance measurement range will be limited at  $100\Omega$  to  $10K\Omega$ .

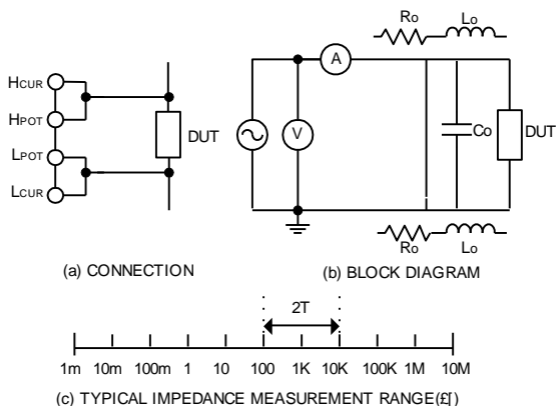
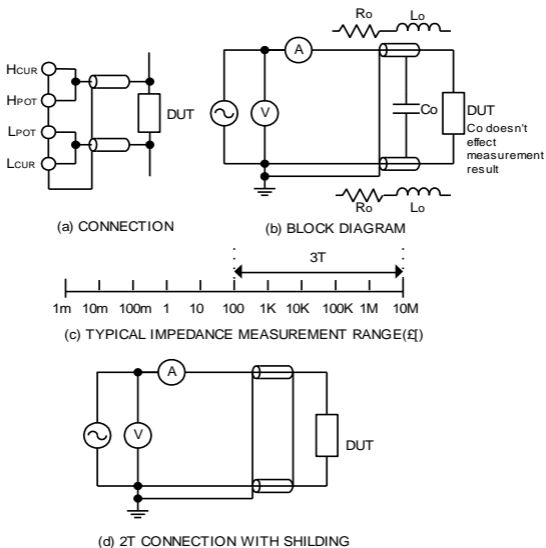


Figure 3.1

#### ● 3-Terminal (3T)



3-Terminal uses coaxial cable to reduce the effect of the parasitic capacitor (Figure 3.2). The shield of the coaxial cable should connect to guard of the instrument to increase the measurement range up to  $10\text{M}\Omega$ .

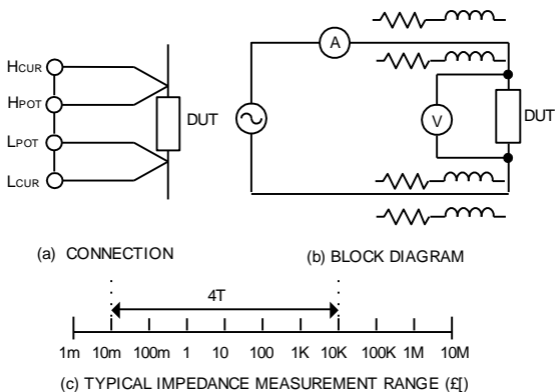


**Figure 3.2**

● 4-Terminal (4T)

4-Terminal connection reduces the effect of the test lead

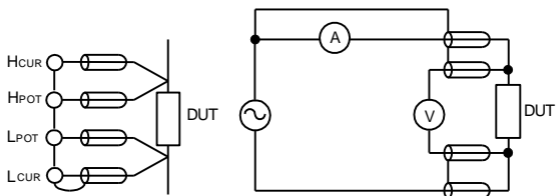
resistance (Figure 3.3). This connection can improve the measurement range down to  $10\text{m}\Omega$ . However, the effect of the test lead inductance can't be eliminated.



**Figure 3.3**

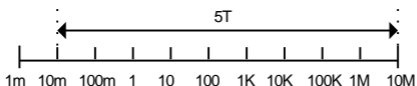
- 5-Terminal (5T)

5-Terminal connection is the combination of 3T and 4T (Figure 3.4). It has four coaxial cables. Due to the advantage of the 3T and 4T, this connection can widely increase the measurement range for  $10\text{m}\Omega$  to  $10\text{M}\Omega$ .

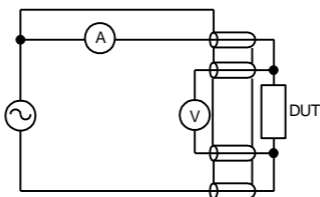


(a) CONNECTION

(b) BLOCK DIAGRAM



(c) TYPICAL IMPEDANCE MEASUREMENT RANGE ( $\Omega$ )



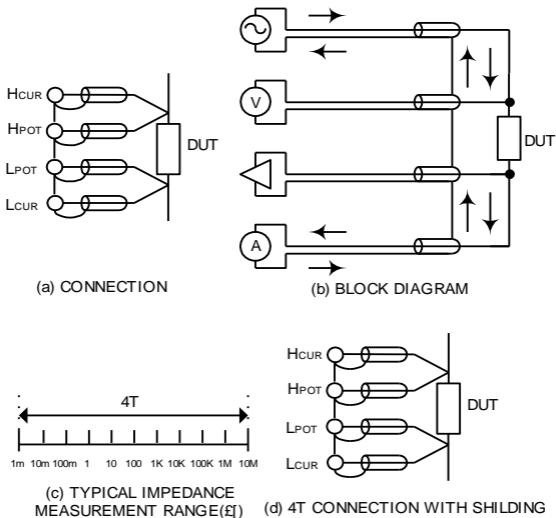
(d) WRONG 4T CONNECTION

**Figure 3.4**

● 4-Terminal Path (4TP)

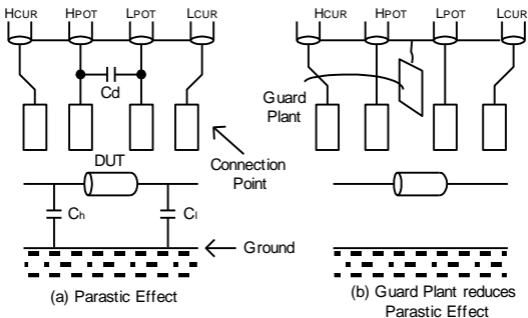
4-Terminal Path connection solves the problem that caused by the test lead inductance. 4TP uses four coaxial cables to isolate the current path and the voltage sense cable (Figure 3.5). The return current will flow through the coaxial cable as well as the shield. Therefore, the magnetic flux that generated by internal conductor will cancel out the magnetic flux generated by external conductor (shield). The 4TP connection increases the

measurement range from  $1\text{m}\Omega$  to  $10\text{M}\Omega$ .



**Figure 3.5**

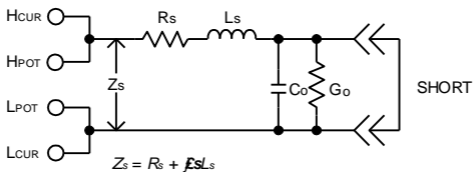
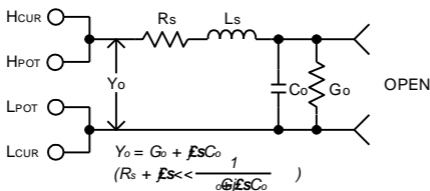
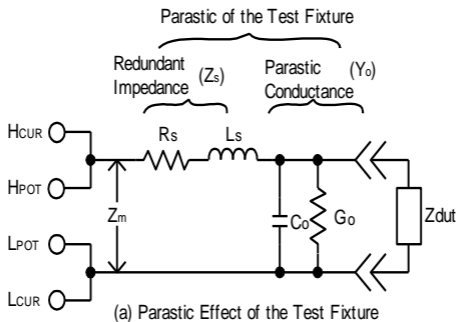
- **Eliminating the Effect of the Parasitic Capacitor**  
 When measuring the high impedance component (i.e. low capacitor), the parasitic capacitor becomes an important issue (Figure 3.6). In figure 3.6(a), the parasitic capacitor  $C_d$  is paralleled to DUT as well as the  $C_i$  and  $C_h$ . To correct this problem, add a guard plane (Figure 3.6(b)) in between H and L terminals to break the  $C_d$ . If the guard plane is connected to instrument guard, the effect of  $C_i$  and  $C_h$  will be removed.



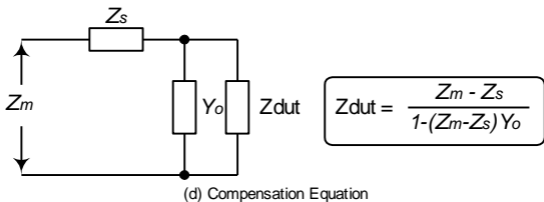
**Figure 3.6**

## 4.2 Open/Short Compensation

For those precision impedance measuring instrument, the open and short compensation need to be used to reduce the parasitic effect of the test fixture. The parasitic effect of the test fixture can be treated like the simple passive components in figure 3.7(a). When the DUT is open, the instrument gets the conductance  $Y_p = G_p + j\omega C_p$  (Figure 3.7(b)). When the DUT is short, the instrument gets the impedance  $Z_s = R_s + j\omega L_s$  (Figure 3.7(c)). After the open and short compensation,  $Y_p$  and  $Z_s$  are for calculating the real  $Z_{dut}$  (Figure 3.7(d)).



**Figure 3.7**



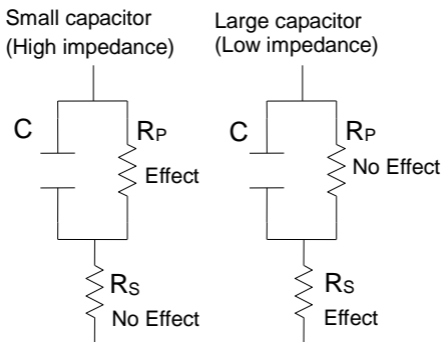
**Figure 3.7 (Continued)**

### 4.3 Selecting the Series or Parallel Mode

According to different measuring requirement, there are series and parallel modes to describe the measurement result. It is depending on the high or low impedance value to decide what mode to be used.

- Capacitor

The impedance and capacitance in the capacitor are negatively proportional. Therefore, the large capacitor means the low impedance; the small capacitor means the high impedance. Figure 3.8 shows the equivalent circuit of capacitor. If the capacitor is small, the  $R_p$  is more important than the  $R_s$ . If the capacitor is large, the  $R_s$  shouldn't be avoided. Hence, uses parallel mode to measure low capacitor and series mode to measure high capacitor.



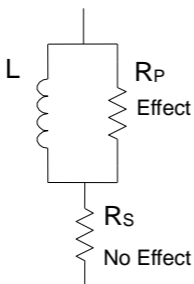
**Figure 3.8**

- Inductor

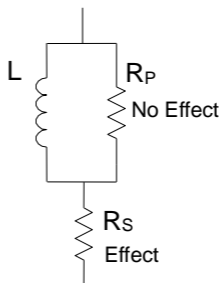
The impedance and inductive in the inductor are positively proportional. Therefore, the large inductor equals to the high impedance and vice versa. Figure 3.9 shows the equivalent circuit of inductor. If the inductor is small, the  $R_s$  is more important than the  $R_p$ . If the inductor is large, the  $R_p$  should be taking care of. So, uses series mode to measure low inductor and parallel mode to measure high inductor.



Large inductor  
(High impedance)



Small inductor  
(Low impedance)



**Figure 3.9**

## 5. Limited Three-Year Warranty

B&K Precision Corp. warrants to the original purchaser that its products and the component parts thereof, will be free from defects in workmanship and materials for a period of **three years** from date of purchase.

B&K Precision Corp. will, without charge, repair or replace, at its option, defective product or component parts. Returned product must be accompanied by proof of the purchase date in the form of a sales receipt.

To obtain warranty coverage in the U.S.A., this product must be registered by completing a warranty registration form on our website [www.bkprecision.com](http://www.bkprecision.com) within fifteen (15) days of purchase.

Exclusions: This warranty does not apply in the event of misuse or abuse of the product or as a result of unauthorized alternations or repairs. It is void if the serial number is alternated, defaced or removed.

B&K Precision Corp. shall not be liable for any consequential damages, including without limitation damages resulting from loss of use. Some states do not allow limitation of incidental or consequential damages, so the above limitation or exclusion may not apply to you.

This warranty gives you specific rights and you may have other rights, which vary from state-to-state.

## Service Information

**Warranty Service:** Please return the product in the original packaging with proof of purchase to the below address. Clearly state in writing the performance problem and return any leads, connectors and accessories that you are using with the device.

**Non-Warranty Service:** Return the product in the original packaging to the below address. Clearly state in writing the performance problem and return any leads, connectors and accessories that you are using with the device. Customers not on open account must include payment in the form of a money order or credit card. For the most current repair charges contact the factory before shipping the product.

Return all merchandise to B&K Precision Corp. with pre-paid shipping. The flat-rate repair charge includes return shipping to locations in North America. For overnight shipments and non-North America shipping fees contact B&K Precision Corp..

B&K Precision Corp.  
22820 Savi Ranch Parkway  
Yorba Linda, CA 92887  
Phone: 714- 921-9095  
Email: [service@bkprecision.com](mailto:service@bkprecision.com)

Include with the instrument your complete return shipping address, contact name, phone number and description of problem.

## 6. Safety Precaution

### SAFETY CONSIDERATIONS

The Models 885 & 886 LCR Meter has been designed and tested according to Class 1A 1B or 2 according to IEC479-1 and IEC 721-3-3, Safety requirement for Electronic Measuring Apparatus.

### SAFETY PRECAUTIONS

#### SAFETY NOTES

The following general safety precautions must be observed during all phases of operation, service, and repair of this instrument. Failure to comply with these precautions or with specific warnings elsewhere in this manual violates safety standards of design, manufacture, and intended use of the instrument.

The manufacturer assumes no liability for the customer's failure to comply with these requirements.

#### BEFORE APPLYING POWER

Verify that the product is set to match the available line voltage is installed.

## SAFETY SYMBOLS



Caution, risk of electric shock



Earth ground symbol



Equipment protected throughout by double insulation or reinforced insulation



Caution (refer to accompanying documents)

## DO NOT SUBSTITUTE PARTS OR MODIFY INSTRUMENT

Because of the danger of introducing additional hazards, do not install substitute parts or perform any unauthorized modification to the instrument. Return the instrument to a qualified dealer for service and repair to ensure that safety features are maintained.

**INSTRUMENTS WHICH APPEAR DAMAGED OR DEFECTIVE SHOULD NOT BE USED! PLEASE CONTACT B&K PRECISION FOR INFORMATION ON REPAIRS.**

# Tabla de Contenido

<b>1.</b>	<b><u>INTRODUCCIÓN</u></b> .....	<b>45</b>
1.1	GENERAL .....	45
1.2	PARÁMETROS DE IMPEDANCIA .....	47
1.3	ESPECIFICACIÓN .....	50
1.4	ACCESORIOS .....	63
<b>2.</b>	<b><u>OPERACIÓN</u></b> .....	<b>64</b>
2.1	DESCRIPCIÓN FÍSICA.....	64
2.2	EFFECTUANDO MEDICIONES .....	65
2.1.1	<i>Reemplazo de baterías</i> .....	65
2.1.2	<i>Recarga de batería/operación AC</i> .....	66
2.1.3	<i>Calibración/corto circuito abierto (open/short)</i> .....	67
2.1.4	<i>Velocidad de visualización</i> .....	69
2.1.5	<i>Modo relativo</i> .....	69
2.1.6	<i>Retención de rango</i> .....	69
2.1.7	<i>Medición de resistencia DC</i> .....	69
2.1.8	<i>Medición de impedancia AC</i> .....	70
2.1.9	<i>Medición de Capacitancia</i> .....	70
2.1.10	<i>Medición de inductancia</i> .....	71
2.2	OPERACIÓN DE LOS ACCESORIOS .....	72
<b>3.</b>	<b><u>APLICACIÓN</u></b> .....	<b>74</b>
3.1	CONEXIÓN DE LAS PUNTAS DE PRUEBA .....	74
3.2	COMPENSACIÓN EN CIRCUITO CORTO Y ABIERTO .....	79
3.3	SELECCIÓN DEL MODO SERIAL O PARALELO .....	81
<b>5.</b>	<b><u>PRECAUCIÓN SOBRE SEGURIDAD</u></b> .....	<b>84</b>

# **1. Introducción**

## **1.1 General**

Los Modelos 885 & 886 de B&K Precision, Medidor LCR/ESR en circuito es un instrumento portátil de alta precisión para medir inductores, capacitores y resistores con una precisión del 0.5%. Es el instrumento portátil más avanzado a la fecha. El 885 u 886 puede ayudar a ingenieros y estudiantes a comprender las componentes y a efectuar servicio de equipos en el taller electrónico.

Los rangos del instrumento pueden ser automáticos o manuales. En todos los rangos puede seleccionar frecuencias de 100Hz, 120Hz, 1KHz 10KHz o 100KHz (886). Puede seleccionar voltajes de prueba de 50mVrms, 0.25Vrms, 1Vrms o 1VDC (DCR solamente) en todos los rangos. La pantalla doble permite mediciones simultáneas.

Los componentes pueden medirse en modo serial o paralelo; el método estándar se selecciona primero pero puede cambiarse.

Los Modelos 885 y 886 ofrecen tres modos útiles para ordenar componentes.

Estos versátiles modelos pueden realizar virtualmente todas las funciones de puentes LCR. Este económico medidor puede sustituir a un Puente LCR, con una precisión básica del 0.2%. Opera con dos baterías AA y se entrega con un adaptador cargador AC a DC y dos baterías AA Ni-Mh recargables.

El instrumento se emplea en escuelas, laboratorios, líneas de producción y talleres de servicio. Verifica valores ESR, ordena valores, selecciona valores de precisión, mide inductores de valor desconocido, capacitores o resistores, y permite medir capacitancia, inductancia o resistencia de cables, switches, tablillas de circuito impreso, etc.

Las características principales son:

- Condición de prueba:
  - 2 Frecuencia: 100Hz / 120Hz / 1KHz / 10KHz / 100KHz (886)
  3. Nivel : 1Vrms / 0.25Vrms / 50mVrms / 1VDC (DCR solamente)
- Parámetros de medición : Z, Ls, Lp, Cs, Cp, DCR, ESR, D, Q y  $\theta$
- Precisión básica: 0.2%
- Pantalla LCD dual
- Medición rápida/lenta
- Rango automático o retención
- Interfaz infrarroja
- Calibración en corto/circuito abierto
- Visualización de parámetros primarios:
  - Z : Impedancia AC
  - DCR : Resistencia DC
  - Ls : Inductancia serial
  - Lp : Inductancia paralelo
  - Cs : Capacitancia serial



- $C_p$  : Capacitancia paralelo
- Visualización de parámetro secundario:
  - $\theta$  : Angulo de fase
  - ESR : Resistencia serial equivalente
  - D : Factor de disipación
  - Q : Factor de calidad
- Combinaciones de visualización :
  - Modo serial :  $Z - \theta, C_s - D, C_s - Q, C_s - ESR, L_s - D, L_s - Q, L_s - ESR$
  - Modo paralelo :
$$C_p - D, C_p - Q, L_p - D, L_p - Q$$

## 1.2 Parámetros de impedancia

Debido a las diferentes señales de medición, existe la impedancia DC y AC. Un multímetro digital común puede medir solo la impedancia DC, pero el modelo 885 puede medir ambas. Es muy importante entender este concepto de componentes electrónicas.

Al analizar la impedancia en un plano (Figura 1.1), podemos visualizar el elemento real en el eje x y el imaginario en el eje y. El plano de medición de impedancia puede visualizarse también con coordenadas polares:  $Z$  es la magnitud y  $\theta$  la fase de la impedancia.

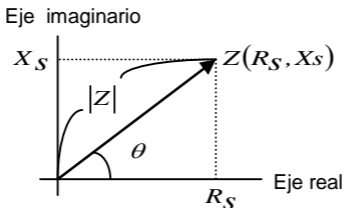


Figura 1.1

$$Z = R_s + jX_s = |Z| \angle \theta \ (\Omega)$$

$$R_s = |Z| \cos \theta$$

$$|Z| = \sqrt{R_s^2 + X_s^2}$$

$$X_s = |Z| \sin \theta$$

$$\theta = \tan^{-1} \left( \frac{X_s}{R_s} \right)$$

$Z$  = (Impedance)

$R_s$  = (Resistance)

$X_s$  = (Reactance)

$\Omega$  = (Ohm)

Existen dos tipos de reactancia: Inductiva ( $X_L$ ) y Capacitiva ( $X_C$ ). Pueden definirse como sigue

$$X_L = \omega L = 2\pi f L$$

$L$  = Inductance (H)

$$X_C = \frac{1}{\omega C} = \frac{1}{2\pi f C}$$

$C$  = Capacitance (F)

$f$  = Frequency (Hz)

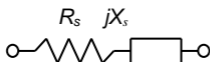
Debemos considerar también el factor de calidad (Q) y el factor de disipación (D). El factor de calidad mide la pureza de la reactancia. En el mundo real existe la disipación de potencia, reduciendo la cantidad de energía que puede recuperarse. El factor de calidad puede definirse como la razón de la energía almacenada (reactancia) y la energía disipada (resistencia). Q se usa generalmente para

inductores y D para capacitores.

$$\begin{aligned} Q &= \frac{1}{D} = \frac{1}{\tan \delta} \\ &= \frac{|X_s|}{R_s} = \frac{\omega L_s}{R_s} = \frac{1}{\omega C_s R_s} \\ &= \frac{|B|}{G} \\ &= \frac{R_p}{|X_p|} = \frac{R_p}{\omega L_p} = \omega C_p R_p \end{aligned}$$

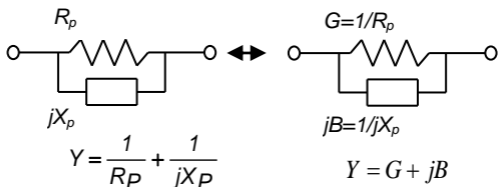
Modos. Hay dos tipos: Modo serie y modo paralelo. Vea la Figura 2 para relacionarlos.

## Los componentes real e imaginario son seriales



$$Z = R_s + jX_s$$

## Los componentes real e imaginario son paralelos



$$Y = \frac{1}{R_p} + \frac{1}{jX_p}$$

$$Y = G + jB$$

Figura 1.2

## 1.3 Especificación

- Rango de pantalla LCD:

Parámetro	Rango	
Z	0.000Ω	to 9999MΩ
L	0.000μH	to 9999H
C	0.000pF	to 9999F
DCR	0.000Ω	to 9999MΩ
ESR	0.000Ω	to 9999Ω
D	0.000	to 9999
Q	0.000	to 9999
θ	-180.0°	to 180.0°

- Precisión(Ae):

Precisión de Z:

$ Z_x $ Freq.	20M ~ 10M ( $\Omega$ )	10M ~ 1M ( $\Omega$ )	1M ~ 100K ( $\Omega$ )	100K ~ 10 ( $\Omega$ )	10 ~ 1 ( $\Omega$ )	1 ~ 0.1 ( $\Omega$ )
DCR	2% $\pm$ 1	1% $\pm$ 1	0.5% $\pm$ 1	0.2% $\pm$ 1	0.5% $\pm$ 1	1% $\pm$ 1
100Hz	❶					❶
120Hz						
1KHz						
10KHz	5% $\pm$ 1 ❶	2% $\pm$ 1				
100KHz (886)	NA	5% $\pm$ 1 ❶	2% $\pm$ 1	0.4% $\pm$ 1	2% $\pm$ 1	5% $\pm$ 1 ❶

Note : 1.La precisión aplica con el nivel de prueba de 1Vrms.

2.Multiplicar  $A_e$  por 1.25 con nivel de 250mVrms.

3. Multiplicar  $A_e$  por 1.5 con nivel de 50mVrms.

4.Al medir L y C, multiplicar  $A_e$  por  $\sqrt{1+D_x^2}$  si  $D_x > 0.1$ .

❶ :  $A_e$  no se especifica con el nivel de 50mV.

Precisión de C:

100Hz	79.57 pF   159.1 pF	159.1 pF   1.591 nF	1.591 nF   15.91 nF	15.91 nF   159.1 uF	159.1 uF   1591 uF	1591 uF   15.91 mF
	2% ± 1 ①	1% ± 1	0.5% ± 1	0.2% ± 1	0.5% ± 1	1% ± 1 ①
120Hz	66.31 pF   132.6 pF	132.6 pF   1.326 nF	1.326 nF   13.26 nF	13.26 nF   132.6 uF	132.6 uF   1326 uF	1326 uF   13.26 mF
	2% ± 1 ①	1% ± 1	0.5% ± 1	0.2% ± 1	0.5% ± 1	1% ± 1 ①
1KHz	7.957 pF   15.91 pF	15.91 pF   159.1 pF	159.1 pF   1.591 nF	1.591 nF   15.91 uF	15.91 uF   159.1 uF	159.1 uF   1.591 mF
	2% ± 1 ①	1% ± 1	0.5% ± 1	0.2% ± 1	0.5% ± 1	1% ± 1 ①
10KHz	0.795 pF   1.591 pF	1.591 pF   15.91 pF	15.91 pF   159.1 pF	159.1 pF   1.591 uF	1.591 uF   15.91 uF	15.91 uF   159.1 uF
	5% ± 1 ①	2% ± 1	0.5% ± 1	0.2% ± 1	0.5% ± 1	1% ± 1 ①
100KHz (886)	NA	0.159 pF   1.591 pF	1.591 pF   15.91 pF	15.91 pF   159.1 nF	159.1 nF   1.591 uF	1.591 uF   15.91 uF
	NA	5% ± 1 ①	2% ± 1	0.4% ± 1	2% ± 1	5% ± 1 ①

Precisión de L:

100Hz	31.83 KH   15.91 KH	15.91 KH   1591 H	1591 H   159.1 H	159.1 H   15.91 mH	15.91 mH   1.591 mH	1.591 mH   159.1 uH
	2% ± 1 ❶	1% ± 1	0.5% ± 1	0.2% ± 1	0.5% ± 1	1% ± 1 ❶
120Hz	26.52 KH   13.26 KH	13.26 KH   1326 H	1326 H   132.6 H	132.6 H   13.26 mH	13.26 mH   1.326 mH	1.326 mH   132.6 uH
	2% ± 1 ❶	1% ± 1	0.5% ± 1	0.2% ± 1	0.5% ± 1	1% ± 1 ❶
1KHz	31.83 KH   1.591 KH	1.591 KH   159.1 H	159.1 H   15.91 H	15.91 H   1.591 mH	1.591 mH   159.1 uH	159.1 uH   15.91 uH
	2% ± 1 ❶	1% ± 1	0.5% ± 1	0.2% ± 1	0.5% ± 1	1% ± 1 ❶
10KHz	318.3 H   159.1 H	159.1 H   15.91 H	15.91 H   1.591 H	1.591 H   159.1 uH	159.1 uH   15.91 uH	15.91 uH   1.591 uH
	5% ± 1 ❶	2% ± 1	0.5% ± 1	0.2% ± 1	0.5% ± 1	1% ± 1 ❶
100KHz (886)	31.83 H   15.91 H	15.91 H   1.591 H	1.591 H   159.1 mH	159.1 mH   15.91 uH	15.91 uH   1.591 uH	1.591 uH   0.159 uH
	NA	5% ± 1 ❶	2% ± 1	0.4% ± 1	2% ± 1	5% ± 1 ❶

Precisión de D:

Freq. \  Z <sub>x</sub>	20M ~ 10M (Ω)	10M ~ 1M (Ω)	1M ~ 100K (Ω)	100K ~ 10 (Ω)	10 ~ 1 (Ω)	1 ~ 0.1 (Ω)
100Hz	±0.020 ❶	±0.010	±0.005	±0.002	±0.005	±0.010 ❶
120Hz						
1KHz						
10KHz	±0.050 ❶	±0.020				
100KHz (886)	NA	±0.050 ❶	±0.020	±0.004	±0.020	±0.050 ❶

Precisión de θ :

Freq. \  Z <sub>x</sub>	20M ~ 10M (Ω)	10M ~ 1M (Ω)	1M ~ 100K (Ω)	100K ~ 10 (Ω)	10 ~ 1 (Ω)	1 ~ 0.1 (Ω)
100Hz	±1.046 ❶	±0.523	±0.261	±0.105	±0.261	±0.523 ❶
120Hz						
1KHz						
10KHz	±2.615 ❶	±1.046				
100KHz (886)	NA	±2.615 ❶	±1.046	±0.209	±1.046	±2.615 ❶



### Precisión de Z:

Como se muestra en la tabla 1.

### Precisión de C:

$$|Zx| = \frac{1}{2 \cdot \pi \cdot f \cdot Cx}$$

$C_{Ae}$  = Ae de  $|Zx|$

f : Frecuencia de prueba (Hz)

$Cx$  : Valor medido de capacitancia (F)

$|Zx|$  : Valor medido de impedancia ( $\Omega$ )

La precisión aplica cuando  $Dx$  (Valor medido D)  $\leq 0.1$

Cuando  $Dx > 0.1$ , multiplique  $C_{Ae}$  por  $\sqrt{1 + Dx^2}$

Ejemplo:

Condición de prueba:

Frecuencia: 1KHz

Nivel : 1Vrms

Velocidad : Lenta

DUT : 100nF

Entonces

$$\begin{aligned} |Zx| &= \frac{1}{2 \cdot \pi \cdot f \cdot Cx} \\ &= \frac{1}{2 \cdot \pi \cdot 10^3 \cdot 100 \cdot 10^{-9}} = 1590\Omega \end{aligned}$$

Refiriéndose a la tabla de precision, se obtiene  $C_{Ae} = \pm 0.2\%$

### Precisión de L:

$$|Zx| = 2 \cdot \pi \cdot f \cdot Lx$$

$L_{Ae}$  = Ae de  $|Zx|$

f : Frecuencia de prueba (Hz)

$L_x$  : Valor medido de inductancia (H)

$|Z_x|$  : Valor medido de impedancia( $\Omega$ )

La precisión aplica cuando  $D_x$  (Valor medido  $D$ )  $\leq 0.1$

Cuando  $D_x > 0.1$ , multiplique  $C_{Ae}$  por  $\sqrt{1 + D_x^2}$

Ejemplo:

Condición de prueba:

Frecuencia: 1KHz

Nivel : 1Vrms

Velocidad : Lenta

DUT : 1mH

Entonces

$$|Z_x| = 2 \cdot \pi \cdot f \cdot L_x$$

$$= 2 \cdot \pi \cdot 10^3 \cdot 10^{-3} = 6.283\Omega$$

Refiriéndose a la tabla de precisión, obtenemos  $L_{Ae} = \pm 0.5\%$

### Precisión ESR:

$$ESR_{Ae} = \pm X_x \cdot \frac{Ae}{100}$$

$$X_x = 2 \cdot \pi \cdot f \cdot L_x = \frac{1}{2 \cdot \pi \cdot f \cdot C_x}$$

$ESR_{Ae} = Ae$  de  $|Z_x|$

$f$  : Frecuencia de prueba (Hz)

$X_x$  : Valor medido de reactancia ( $\Omega$ )

$L_x$  : Valor medido de inductancia (H)

$C_x$  : Valor medido de capacitancia (F)

La precisión aplica cuando  $D_x \leq 0.1$

Ejemplo:

Condición de prueba:

Frecuencia: 1KHz

Nivel : 1Vrms

Velocidad : Lenta

DUT : 100nF

Entonces

$$|Z_x| = \frac{1}{2 \cdot \pi \cdot f \cdot C_x}$$
$$= \frac{1}{2 \cdot \pi \cdot 10^3 \cdot 100 \cdot 10^{-9}} = 1590\Omega$$

Refiriéndose a la tabla, obtenemos

$C_{Ae} = \pm 0.2\%$ ,

$$ESR_{Ae} = \pm X_x \cdot \frac{Ae}{100} = \pm 3.18\Omega$$

### Precisión D:

$$D_{Ae} = \pm \frac{Ae}{100}$$

$D_{Ae} = Ae$  of  $|Z_x|$

La precisión aplica cuando  $D_x$  (Valor medido D)  $\leq 0.1$

Cuando  $D_x > 0.1$ , multiplique  $D_{Ae}$  por  $(1+D_x)$

Ejemplo:

Condición de prueba:

Frecuencia: 1KHz

Nivel : 1Vrms

Velocidad : Lenta

DUT : 100nF

Entonces

$$|Zx| = \frac{1}{2 \cdot \pi \cdot f \cdot Cx}$$

$$= \frac{1}{2 \cdot \pi \cdot 10^3 \cdot 100 \cdot 10^{-9}} = 1590\Omega$$

Refiriéndose a la tabla de precisión, obtenemos  $C_{Ae} = \pm 0.2\%$ ,

$$D_{Ae} = \pm \cdot \frac{Ae}{100} = \pm 0.002$$

### Precisión de Q:

$$Q_{Ae} = \pm \frac{Qx^2 \cdot De}{1 \mu Qx \cdot De}$$

$Q_{Ae} = Ae$  de  $|Zx|$

$Qx$  : Valor del factor de calidad medido

$De$  : Precisión relativa de  $De$

La precisión aplica si  $Qx \cdot De < 1$

Ejemplo:

Condición de prueba:

Frecuencia: 1KHz

Nivel : 1Vrms

Velocidad : Lenta

DUT : 1mH

Entonces

$$|Zx| = 2 \cdot \pi \cdot f \cdot Lx$$

$$= 2 \cdot \pi \cdot 10^3 \cdot 10^{-3} = 6.283\Omega$$

Refiriéndose a la tabla de precisión, obtenemos  $L_{Ae}=\pm 0.5\%$ ,

$$De = \pm \cdot \frac{Ae}{100} = \pm 0.005$$

Si  $Q_x = 20$  (medido)

Entonces

$$Q_{Ae} = \pm \frac{Q_x^2 \cdot De}{1 \mu Q_x \cdot De}$$
$$= \pm \frac{2}{1 \mu 0.1}$$

**Precisión de  $\theta$  :**

$$\theta_e = \frac{180}{\pi} \cdot \frac{Ae}{100}$$

Ejemplo:

Condición de prueba:

Frecuencia: 1KHz

Nivel : 1Vrms

Velocidad : Lenta

DUT : 100nF

Entonces

$$|Z_x| = \frac{1}{2 \cdot \pi \cdot f \cdot C_x}$$
$$= \frac{1}{2 \cdot \pi \cdot 10^3 \cdot 100 \cdot 10^{-9}} = 1590 \Omega$$

Refiriéndose a la tabla de precisión, obtenemos  $Z_{Ae}=\pm 0.2\%$ ,

$$\theta_{Ae} = \pm \frac{180}{\pi} \cdot \frac{Ae}{100}$$

$$= \pm \frac{180}{\pi} \cdot \frac{0.2}{100} = \pm 0.115 \text{ deg}$$

● Señal de prueba:

Precisión del nivel :  $\pm 5\%$

Precisión de la frecuencia :  $0.1\%$

● Impedancia de salida :  $100\Omega \pm 5\%$

● Velocidad de medición:

Rápida : 4.5 meas. / sec.

Lenta : 2.5 meas. / sec.

● General:

Temperatura :  $0^{\circ}\text{C}$  to  $70^{\circ}\text{C}$  (Operativa)  
 $-20^{\circ}\text{C}$  to  $70^{\circ}\text{C}$  (Almacenamiento)

Humedad relativa : Hasta  $85\%$

Batería : 2 AA Ni-Mh o Alcalina

Carga de batería : Corriente constante  $150\text{mA}$   
 aproximada

Tiempo de operación : 2.5 Horas típica

Operación AC :  $110/220\text{V AC}$ ,  $60/50\text{Hz}$  con  
 adaptador apropiado

Dimensiones :  $174\text{mm} \times 86\text{mm} \times 48\text{mm}$  (L x W x  
 H)  $6.9'' \times 3.4'' \times 1.9''$

Peso :  $470\text{g}$

**NOTA:** Las especificaciones y la información están conforme a cambio sin el aviso de B&K Precision Corp. Por favor visite [www.bkprecision.com](http://www.bkprecision.com) para las especificaciones más corriente y información de nuestros productos.

## **Consideraciones**

Frecuencia de prueba. La frecuencia puede seleccionarse y cambiarse. Generalmente se usa una señal de 1KHz o mayor para medir capacitores de 0.01uF o menores y una señal de 120Hz para capacitores 10uF o mayores. Típicamente se usa una señal de prueba de 1KHz o mayor para medir inductores usados en circuitos de audio y RF (radio frecuencia), dado que estos componentes operan a frecuencias mayores y deben medirse arriba de 1KHz. Generalmente inductores menores de 2mH deben medirse a 1KHz y arriba de 200H deben medirse a 120Hz.

Lo mejor es verificar de las especificaciones la frecuencia de prueba más apropiada.

## **Capacitores cargados**

**Descargue siempre los capacitores antes de su medición, pues la carga puede dañar al instrumento seriamente.**

## **Efecto de una D alta en la precisión**

Es deseable un valor bajo de factor de disipación D. Los capacitores electrolíticos tienen un valor alto inherente debido a sus características internas de fuga. Si el valor de D es excesivo, la precisión de la medición de capacitancia se degrada.

Se recomienda verificar las características del fabricante para determinar el valor deseable de D de un componente bueno.

## **Medición de la capacitancia de cables, switches u otros componentes**

La medición de la capacitancia de un cable coaxial es muy importante para determinar su longitud. La mayoría de los fabricantes indican la capacitancia por pie, por lo que es posible determinar la longitud del cable midiendo su capacitancia.

Ejemplo: Para un cable con una capacitancia de 10pF por pie, obtenemos una lectura de 1.000nF. Dividiendo 1000pF (1.000 nF) por 10pF por pie obtenemos que la longitud del cable es de aproximadamente 100 pies. Por otro lado, si desconoce la especificación del fabricante, puede determinarla midiendo la capacitancia de un cable de longitud conocida; no use un segmento muy corto (como de 10 pies), pues corre el riesgo de magnificar cualquier error de medición al considerar la longitud total.

Hay ocasiones en las que la capacitancia de switches, cables de interconexión, circuitos impresos u otras partes que afectan la capacitancia distribuida pueden ser críticas en diseño de circuitos, o deben ser iguales en todas las unidades.

## **Medición de inductancia serie vs. paralelo**

El modo serial proporciona el valor más preciso en la mayoría de los casos. Este modo es esencial para una lectura precisa de Q para inductores de bajo Q. Se prefiere también cuando las pérdidas ohmicas son significativas. Sin embargo, hay casos en los que es preferible el modo paralelo: Para inductores de núcleo de hierro en los que la histéresis y corrientes parásitas son significativas.

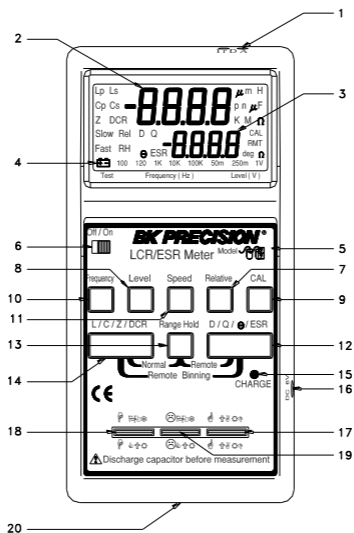


## 1.4 Accesorios

- 2 baterías recargables Ni-MH 2 pc
- Barra de corto 1 pc
- Adaptador AC a DC 1 pc
- TL885A SMD (Punta de prueba) 1 pc
- TL885B (Clip de 4 cables, Opcional)
- TL08C Kelvin Clip (Opcional)

## 2. Operación

### 2.1 Descripción física



- |  |                                     |
|--|-------------------------------------|
| 1. NA  | 2. Pantalla primaria                |
| 3. Pantalla secundaria                                   | 4. Indicador de batería baja        |
| 5. Número de modelo                                      | 6. Switch de encendido              |
| 7. Tecla relativa  | 8. Tecla de nivel de medición       |
| 9. Tecla de Calibración corto/abierto                    | 10. Tecla de frecuencia de medición |
| 11. Tecla de actualización de velocidad de visualización | 12. Tecla de función D/Q/θ/ESR      |
| 13. Tecla de retención de rango                          | 14. Tecla de función L/C/Z/DCR      |

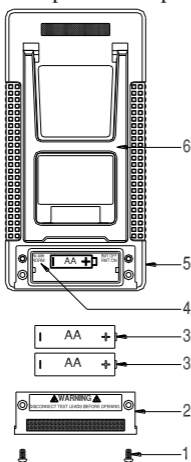
- |                                    |                               |
|------------------------------------|-------------------------------|
| 15. Indicador de dcarga de batería | 16. Entrada del adaptador DC  |
| 17. Guard Terminal                 | 18. HPOT/HCUR Terminal        |
| 19. LPOT/LCUR Terminal             | 20. Compartimiento de batería |

## 2.2 Efectuando mediciones

### 2.2.1 Reemplazo de baterías

Cuando el LOW BATTERY INDICATOR enciende durante operación normal, las baterías en los Modelos 885 & 886 deben reemplazarse o recargarse para una operación correcta. Para cambiarlas, siga los pasos siguientes:

1. Remueva la compuerta desatornillando el tornillo del compartimiento de la batería.
2. Saque las baterías viejas e inserte las nuevas. Observe la polaridad correcta.
3. Reemplace la compuerta atornillando el tornillo



1	Tornillos
2	Compuerta del compartimiento
3	Baterías
4	Norm/Ni-Mh Switch
5	Gabinete
6	Soporte ajustable

## Battery Replacement

### 2.2.2 Recarga de batería/operación AC

---

#### **Precaución**



Use solo el adaptador estándar AC a DC en el modelo 885. Otros eliminadores o cargadores pueden dañar a los modelos 885 y 886

---

Los Modelos 885 & 886 operan con fuente de AC o con baterías internas. Para usar la fuente de AC, asegúrese que la unidad esté apagada, enchufe una punta del adaptador en el jack DC del lado derecho del instrumento, y la otra punta en el enchufe de AC

Existe un pequeño switch deslizable en el compartimiento de baterías (Battery Select Switch). Si las baterías son de Ni-Mh o Ni-Cd recargables, fije el switch a la posición "Ni-Mh". Las baterías Ni-Mh o Ni-Cd pueden recargarse al operar el instrumento por fuente de AC. El LED indicador se encenderá. Si usa baterías no recargables (como las alcalinas), fije el Switch a la posición "NORM" para desconectar el circuito de carga de las baterías

---

#### **Advertencia**



El switch selector de baterías debe fijarse en "NORM" al usar baterías no recargables. Estas pueden explotar si el adaptador AC se usa con baterías no recargables. Si esto ocurre, la garantía se anula.

---

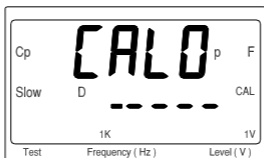
## 2.2.3 Calibración/corto circuito abierto (open/short)

Los Modelos 885 & 886 proveen calibración open/short para que el usuario obtenga mayor precisión al medir baja y alta impedancia. Recomendamos usar la calibración al cambiar la frecuencia o nivel de señal de prueba.

:

- **Calibración Open**

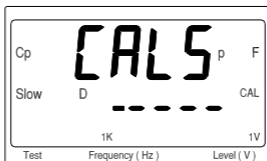
Mantenga las terminales de medición abiertas, y presione luego la tecla **CAL** brevemente (no más de dos segundos); La pantalla mostrará:



Este proceso dura alrededor de 10 segundos. Al terminar, el modelo 885 emitirá un breve sonido (beep).

- **Calibration Short**

Inserte la barra de corto en las terminales de medición. Oprima la tecla **CAL** por más de dos segundos. La pantalla mostrará:



Este proceso dura alrededor de 10 segundos. Al terminar, el

modelo 885 emitirá un breve sonido (beep).

### 2.3.1 Velocidad de visualización

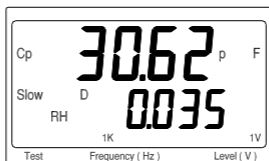
Los Modelos 885 & 886 proveen dos velocidades en pantalla (Fast/Slow), controladas por la tecla **Speed**. En la posición fast, la pantalla se actualiza 4.5 lecturas cada segundo. En slow, son sólo 2.5 lecturas por segundo.

### 2.3.2 Modo relativo

El modo relative permite al usuario efectuar un ordenamiento rápido de un lote de components. Inserte primeramente el componente de valor estándar para obtener su valor. (Aproximadamente 5 segundos en Modo rápido para una lectura estable.). Presione luego la tecla **Relative**; la pantalla primaria se restablecerá a ceros. Remueva el componente estándar e inserte una componente de valor desconocida, y la pantalla mostrará la diferencia entre el valor estándar y el del valor desconocido.

### 2.3.3 Retención de rango

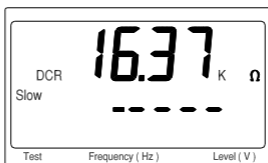
Para mantener el rango, inserte una componente estándar en dicho rango de medición. (Aproximadamente 5 segundos Mode rápido para obtener una lectura estable). Presione luego la tecla **Range Hold** para mantener el rango dentro de 0.5 a 2 veces del rango actual. Al oprimir **Range Hold** se exhibe en pantalla



### 2.3.4 Medición de resistencia DC

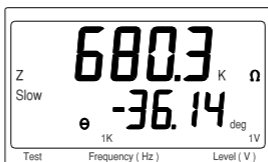
Este proceso mide la resistencia DC de una componente desconocida por 1VDC. Seleccione para ello la tecla **L/C/Z/DCR**.

La pantalla exhibirá:



### 2.3.5 Medición de impedancia AC Z

Proceso para medir el valor de impedancia AC Z de un dispositivo de valor desconocido. Seleccione la tecla **L/C/Z/DCR**. La pantalla exhibirá:

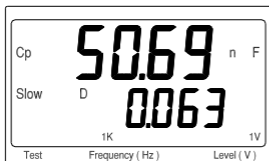


El nivel de prueba y la frecuencia se seleccionan con las teclas **Level** y **Frequency** respectivamente.

### 2.3.6 Medición de Capacitancia

Para medir la capacitancia de una componente, seleccione la tecla **L/C/Z/DCR** para los modos Cs (serial) o Cp (paralelo). En el modo serial los valores de D, Q y ESR pueden exhibirse en la pantalla secundaria. En el modo paralelo (Cp), sólo se muestran los valores de D y Q en la pantalla secundaria. Se muestran a continuación algunos ejemplos:

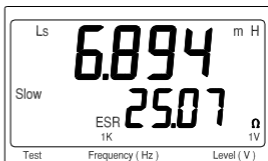
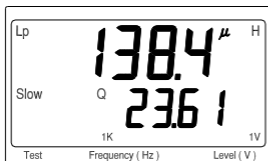




El nivel de prueba y la frecuencia se seleccionan con las teclas **Level** y **Frequency** respectivamente.

### 2.3.7 Medición de inductancia

Seleccione la tecla **L/C/Z/DCR** para el modo Ls (serial) o Lp(paralelo) de medición de inductancia. En el modo serial los valores de D, Q y ESR pueden exhibirse en la pantalla secundaria. En el modo paralelo (Lp), sólo se muestran los valores de D y Q en la pantalla secundaria. Se muestran a continuación ejemplos:



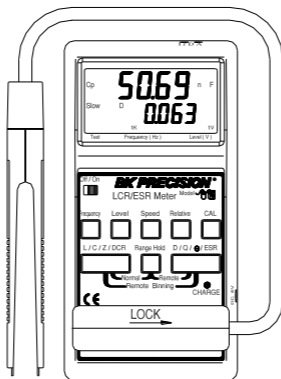
El nivel de prueba y la frecuencia se seleccionan con las teclas **Level** y **Frequency** respectivamente.

## 2.4 Operación de los accesorios

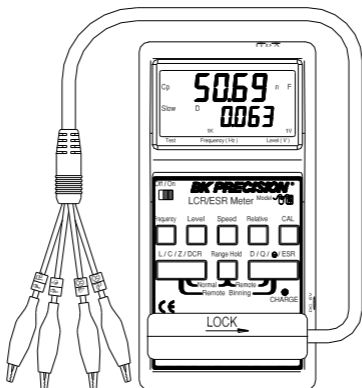
Refiérase a las figuras siguientes para la conexión de los accesorios.



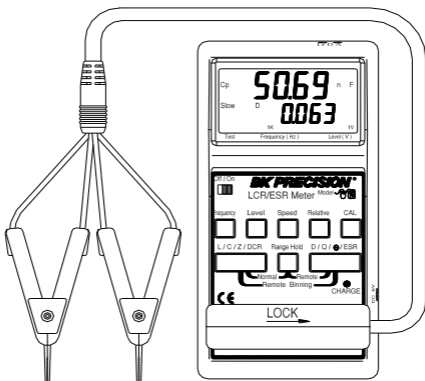
**Barra de corto**



**TL885A SMD Punta de prueba**



**TL885B Clip de 4 puntas**



**TL08C Kelvin Clip**

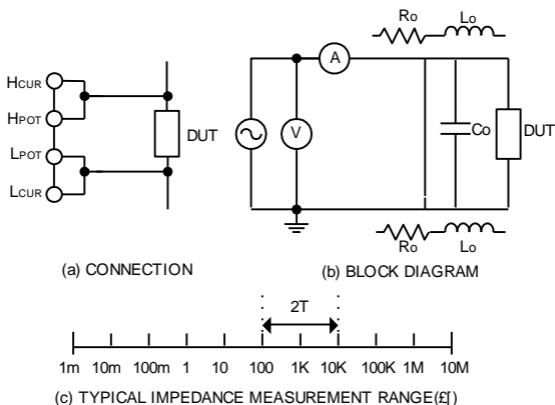
### 3. Aplicación

#### 3.1 Conexión de las puntas de prueba

El Puente autobalanceado tiene 4 puntas ( $H_{CUR}$ ,  $H_{POT}$ ,  $L_{CUR}$  y  $L_{POT}$ ) para conectarlas al dispositivo bajo prueba (DUT). Es importante entender como el método de conexión afecta la precisión de la medición.

- 2-Terminal (2T)

2-Terminal es la manera más sencilla de conectar el DUT, pero introduce errores debido a la inductancia, resistencia capacitancia parásitas de las puntas (Figura 3.1). Debido a estos errores, el rango de impedancia efectiva se limita de  $100\Omega$  a  $10K\Omega$ .

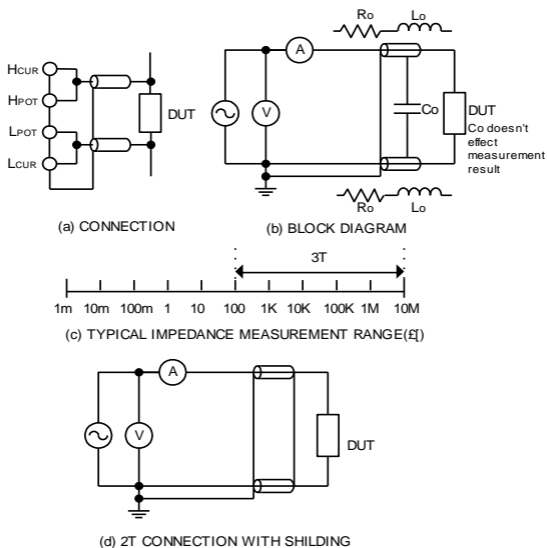


**Figura 3.1**

- 3-Terminal (3T)

3-Terminal utiliza cable coaxial para reducir el efecto del

capacitor parásito (Figure 3.2). El blindaje del cable coaxial debe conectarse al común del instrumento para incrementar el rango de medición hasta  $10\text{M}\Omega$ .

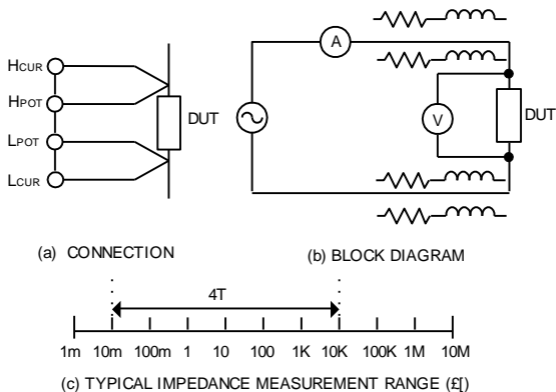


**Figura 3.2**

- 4-Terminal (4T)

La conexión 4-Terminal reduce el efecto de la resistencia de las puntas de prueba (Figura 3.3). Esta conexión puede mejorar el rango de medición hasta  $10\text{m}\Omega$ . Sin embargo, no puede

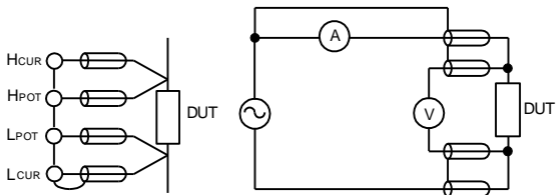
eliminarse el efecto de la inductancia de las puntas de prueba.



**Figure 3.3**

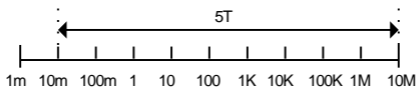
● 5-Terminal (5T)

La conexión 5-Terminal es la combinación de 3T y 4T (Figura 3.4). Tiene 4 cables coaxiales. Debido a las ventajas de 3T y 4T, esta conexión puede incrementar ampliamente el rango de medición de  $10\text{m}\Omega$  a  $10\text{M}\Omega$ .

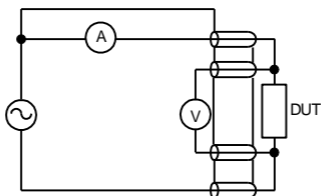


(a) CONNECTION

(b) BLOCK DIAGRAM



(c) TYPICAL IMPEDANCE MEASUREMENT RANGE ( $\Omega$ )



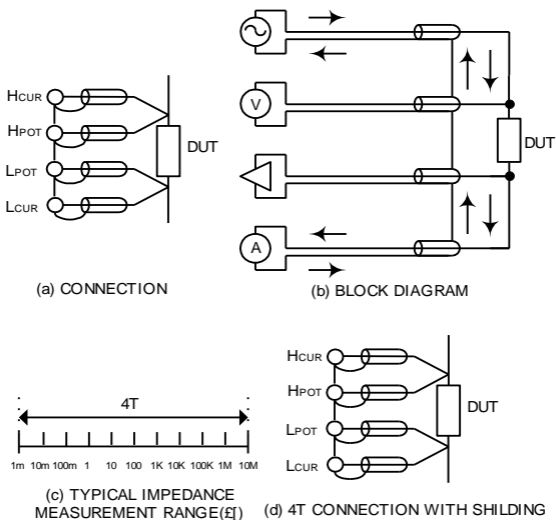
(d) WRONG 4T CONNECTION

**Figure 3.4**

● 4-Terminal Path (4TP)

4-Terminal Path resuelve el problema causado por la inductancia de la punta de prueba. 4TP usa 4 cables coaxiales para la trayectoria de corriente y el cable sensor de voltaje (Figura 3.5). La corriente de retorno fluye tanto por el cable coaxial como por el blindaje. Por tanto, el flujo magnético generado por el conductor interno cancelará el flujo magnético generado por el conductor externo (blindaje). La conexión 4TP

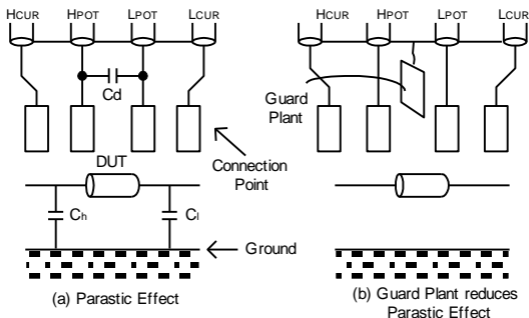
incrementa el rango de medición de  $1\text{m}\Omega$  a  $10\text{M}\Omega$ .



**Figura 3.5**

- **Eliminando el Efecto del Capacitor parásito**  
 Al medir una componente de alta impedancia (i.e. capacitor pequeño), el capacitor parásito afecta la medición (Figura 3.6). En la figura 3.6(a), el capacitor parásito  $C_d$  está en paralelo con DUT así como  $C_i$  y  $C_h$ . Para corregir este problema, agregue un plano de guarda (Figure 3.6(b)) entre las terminales H y L para eliminar  $C_d$ . Si el plano se conecta al común del instrumento, se remueve el efecto de  $C_i$  y  $C_h$ .

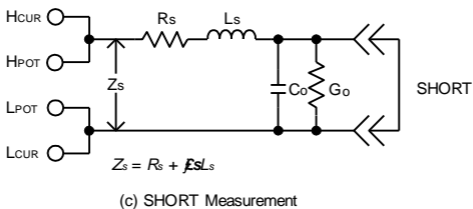
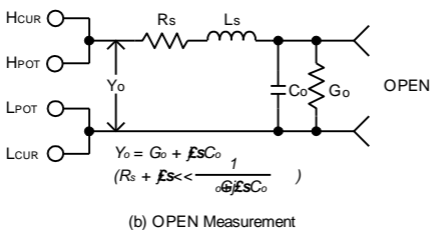
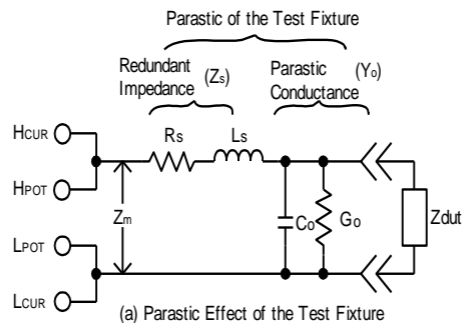




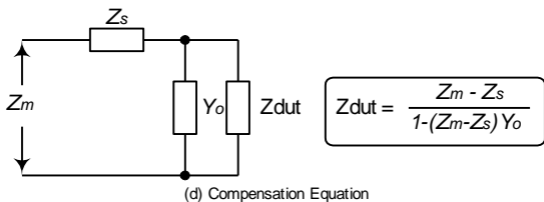
**Figura 3.6**

### 3.2 Compensación en circuito corto y abierto

La compensación de circuito corto y abierto debe usarse para reducir el efecto parásito de las puntas de prueba. Este efecto puede tratarse como los componentes pasivos en la figura 3.7(a). Al abrir el DUT, el instrumento tiene la conductancia  $Y_p = G_p + j\omega C_p$  (Figura 3.7(b)). Al cortocircuitarlo, se tiene la impedancia  $Z_s = R_s + j\omega L_s$  (Figura 3.7(c)). Después de la compensación,  $Y_p$  y  $Z_s$  se usan para calcular la verdadera  $Z_{dut}$  (Figure 3.7(d)).



**Figure 3.7**



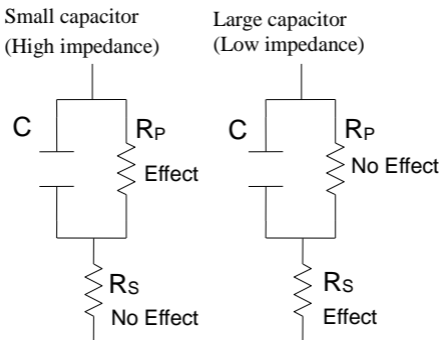
**Figura 3.7 (Continuación)**

### 3.3 Selección del modo serial o paralelo

Los resultados de una medición dependen del modo, serial o paralelo. La decisión del modo a usar depende del valor de la impedancia alta o baja.

- Capacitor

La impedancia y capacitancia son inversamente proporcionales. Por tanto, un capacitor grande implica impedancia baja, y uno pequeño una impedancia alta. La Figura 3.8 muestra el circuito equivalente de un capacitor. Si el capacitor es pequeño, el valor de  $R_p$  es más importante que el de  $R_s$ . Si el capacitor es grande,  $R_s$  no puede evitarse. Por tanto, use modo paralelo para medir capacitores pequeños y modo serie para medir capacitores grandes.

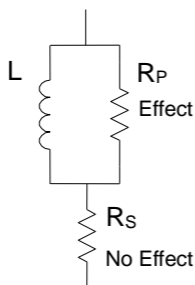


**Figure 3.8**

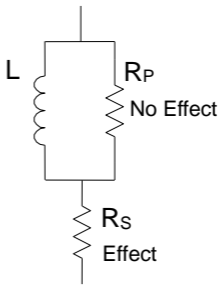
- Inductor

La impedancia y la inductancia son directamente proporcionales. Por tanto, un inductor grande posee alta impedancia, y uno pequeño baja impedancia. La Figura 3.9 muestra el circuito equivalente del inductor. Si el inductor es pequeño,  $R_s$  es más importante que  $R_p$ . Si el inductor es grande,  $R_p$  es importante. Por tanto, use modo serie para medir inductores pequeños y modo paralelo para medir inductores grandes.

Large inductor  
(High impedance)



Small inductor  
(Low impedance)



**Figure 3.9**

## **5. Precaución sobre seguridad**

### **CONSIDERACIONES DE SEGURIDAD**

Los Modelos 885 & 886 LCR Meter se han diseñado y probado de acuerdo con Class 1A 1B o 2 de acuerdo con IEC479-1 e IEC 721-3-3, "Safety requirement for Electronic Measuring Apparatus".

### **PRECAUCIONES**

#### **NOTAS SOBRE SEGURIDAD**

Las siguientes precauciones deben observarse durante todas las fases de operación, servicio, y reparación de este instrumento. Fallas en el cumplimiento de estas precauciones o con otras advertencias en este manual violan los estándares de diseño, manufactura y uso de este instrumento.

El fabricante no asume responsabilidad alguna por las violaciones de estas precauciones..

#### **ANTES DEL ENCENDIDO**



Verifique que el voltaje de línea sea el adecuado..

## SIMBOLOS DE SEGURIDAD



Precaución, riesgo de choque eléctrico



Tierra física



Protección completa con aislamiento doble o reforzado



Precaución (Consulte los documentos anexos)

## NO SUSTITUYA PARTES O MODIFIQUE EL INSTRUMENTO

A fin de no introducir riesgos adicionales,, no instale partes substitutas o ejecute modificación no autorizada al instrumento. Retorne el aparato a un distribuidor autorizado para servicio o reparación para preservar las condiciones de seguridad

**NO USE INSTRUMENTOS QUE PARECEN DAÑADOS O DEFECTUOSOS! CONTACT A B&K PRECISION PARA INFORMES SOBRE REPARACIONES.**

## **Garantía Limitada de Tres Años**

B&K Precision Corp. Autorizaciones al comprador original que su productos y componentes serán libre de defectos por el periodo de **tres años** desde el día en que se compro.

B&K Precision Corp. sin carga, repararemos o sustituir, a nuestra opción, producto defectivo o componentes. Producto devuelto tiene que ser acompañado con prueba de la fecha del la compra en la forma de un recibo de las ventas.

Para obtener cobertura en los EE.UU., este producto debe ser registrado por medio de la forma de registro en [www.bkprecision.com](http://www.bkprecision.com) dentro de quince (15) días de la compra de este producto.

**Exclusiones: Esta garantía no se aplica en el evento de uso en error o abuso de este producto o el resultado de alteraciones desautorizado o reparaciones. La garantía es vacía si se altera, se desfigura o se quita el número de serie.**

B&K Precision Corp. no será obligado a dar servicio por danos consecuente, incluyendo sin limitaciones a danos resultando en perdida de uso. Algunos estados no permiten limitaciones de daños fortuitos o consecuentes. Tan la limitación o la exclusión antedicha puede no aplicarse a usted.

Esta garantía le da ciertos derechos y pueden tener otros derechos, cuales cambian estado por estado.

B&K Precision Corp.

22820 Savi Ranch Parkway

Yorba Linda, CA 92887

[www.bkprecision.com](http://www.bkprecision.com)

714-921-9095



## **Información de Servicio**

**Servicio de Garantía:** Por favor regrese el producto en el empaquetado original con prueba de la fecha de la compra a la dirección debajo. Indique claramente el problema en escritura, incluya todos los accesorios que se están usando con el equipo.

**Servicio de No Garantía:** Por favor regrese el producto en el empaquetado original con prueba de la fecha de la compra a la dirección debajo. Indique claramente el problema en escritura, incluya todos los accesorios que se están usando con el equipo.

Clientes que no tienen cuentas deben incluir pago en forma de cheque, orden de dinero, o número de carta de crédito. Para los pedidos más corrientes visite [www.bkprecision.com](http://www.bkprecision.com) y oprima “service/repair”.

Vuelva toda la mercancía a B&K Precision Corp. con el envío pagado por adelantado. La carga global de la reparación para el servicio de la No-Garantía no incluye el envío de vuelta. El envío de vuelta a las localizaciones en el norte americano es incluido para el servicio de la garantía. Para los envíos de noche y el envío del no-Norte los honorarios americanos satisfacen el contacto B&K Precision Corp.

B&K Precision Corp.

22820 Savi Ranch Parkway

Yorba Linda, CA 92887

[www.bkprecision.com](http://www.bkprecision.com)

714-921-9095

**Incluya con el instrumento la dirección de vuelta para envío, nombre del contacto, número de teléfono y descripción del problema.**

**BK PRECISION®**

22820 Savi Ranch Parkway

Yorba Linda, CA 92887

[www.bkprecision.com](http://www.bkprecision.com)

© 2009 B&K Precision Corp.

v092711