

## General Specifications

### Motor Protection:

Auto Restart/Polarity Protection

### Insulation Resistance:

10M Ω or over with a DC500V Megger

### Dielectric Withstand Voltage: AC 700V 1s

### Allowable Ambient Temperature Range:

-10°C ~ +70°C (Operating)

-40°C ~ +70°C (Storage)

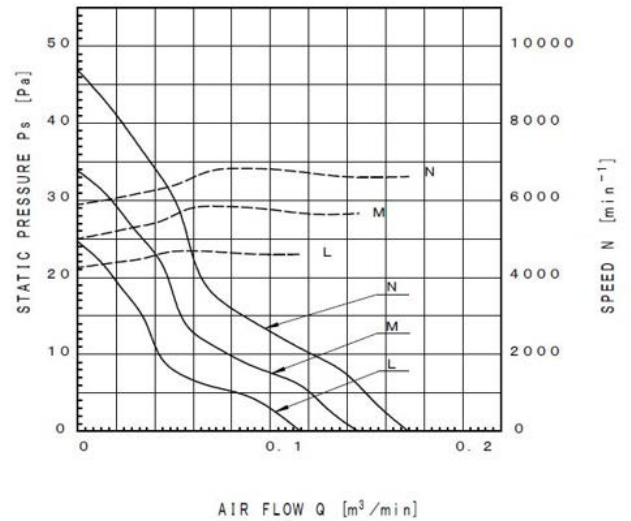
(non-condensing environment)

## Expected Life

### Failure Rate: 10%

25°C 60,000 Hours

## Characteristic Curves



## Material

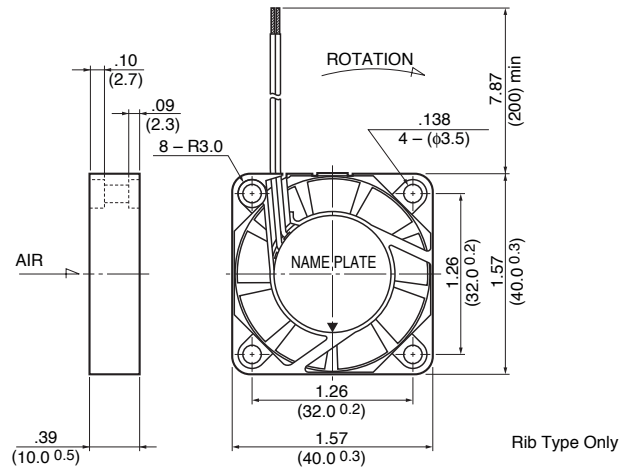
Casing : Plastic (Black) UL94V-0

Impeller : Plastic (Black) UL94V-0

Bearing : Ball Bearing

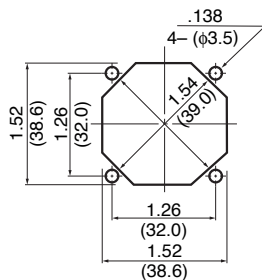
Lead Wire : UL1061, AWG26, +Red, -Black

## Outline



## Panel Cut-Outs

Units:  $\frac{\text{inch}}{\text{mm}}$



INLET SIDE / OUTLET SIDE

## Specifications

MODEL	LEGACY P/N	Rated Voltage	Operating Voltage	Current	Input Power	Speed	Max. Air Flow		Max. Static Pressure		Noise	Mass
		(V)	(V)	(A) <sup>*1</sup>	(W) <sup>*1</sup>	( $\text{min}^{-1}$ ) <sup>*1</sup>	CFM <sup>*1</sup>	( $\text{m}^3/\text{min}$ ) <sup>*1</sup>	in H <sub>2</sub> O	(Pa) <sup>*1</sup>	(dB) <sup>*1</sup>	(g)
04010KA-05L-AA-00	1604KL-01W-B30-B00	5	4.5 ~ 5.5	0.075	0.375	4500	4.2	0.12	.096	24.0	22.0	15
04010KA-05M-AA-00	1604KL-01W-B40-B00	5	4.5 ~ 5.5	0.120	0.600	5500	5.3	0.15	.136	34.0	25.0	15
04010KA-05N-AA-00	1604KL-01W-B50-B00	5	4.5 ~ 5.5	0.155	0.775	6500	6.0	0.17	.184	46.0	29.0	15
04010KA-12L-AA-00	1604KL-04W-B30-B00	12	10.2 ~ 13.8	0.062	0.744	4500	4.2	0.12	.096	24.0	22.0	15
04010KA-12M-AA-00	1604KL-04W-B40-B00	12	10.2 ~ 13.8	0.073	0.876	5500	5.3	0.15	.136	34.0	25.0	15
04010KA-12N-AA-00	1604KL-04W-B50-B00	12	10.2 ~ 13.8	0.073	0.876	6500	6.0	0.17	.184	46.0	29.0	15

Rotation: Clockwise

Airflow Outlet: Air Out Over Struts

\*1: Average Values in Free Air

Note: Locked Rotor/Tach Available