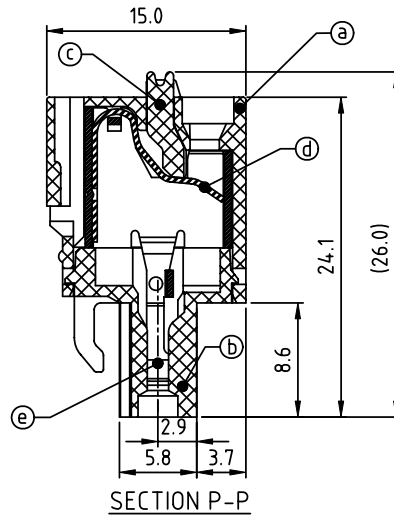
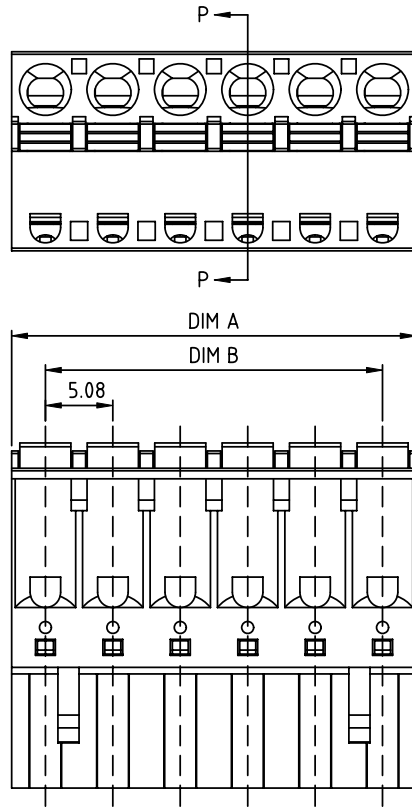


PRODUCT NUMBER	PITCH
HWxx50x400JOG	5.08 mm



Material:

- Item①Top body:Thermoplastic( UL94V-0 )
- Item②Bottom body:Thermoplastic( UL94V-0 )
- Item③Terminal lever:Thermoplastic( UL94V-0 ) Orange(RAL2011/P)
- Item④Spring clamp:Stainless Steel
- Item⑤Female contact:PhBz ( CuSn ) Tin plated

Electrical cULus

- Voltage rating:300V
- Current rating:10A
- Solid wire(AWG):12-26
- Stranded wire(AWG):12-26
- Wire strip length:9-10mm
- Withstanding Voltage:1.6KV
- Operating temperature:-40°C to +115°C

Dimension

DIM A	N×5.08
DIM B	(N-1)×5.08

N=Number of poles

POLES	Tolerance
2p-6p	±0.15
7p-12p	±0.20
13p-16p	±0.30
17p-24p	±0.40

PART NO.: HW xx 50 x 4 00JO G

- Solid block
  - No. of poles
  - 02 2 poles
  - 03 3 poles
  - ... ..
  - 24 24 poles
- Color
- 0 Black (RAL9005)
  - 2 Red (RAL3001/D)
  - 3 Orange(RAL2011/P)
  - 4 Yellow(RAL1018/A)
  - 5 Green(RAL6018/T)
  - 6 Blue (RAL5015/A)
  - 8 Grey(RAL7035/D)
  - 9 White(RAL1102)
  - C Green(RAL6018/U)
- RoHS compliant (lead<4%)  
In copper Alloy

mat'l. code		surface ASME Y14.5	tolerance ASME Y14.5	projection	product family TERMINAL BLOCK
ltr	ecn no	dr	date	 MM	title TERMINAL BLOCK SPRING CLAMP, PLUGGABLE PLUG CONTACT IN THE MIDDLE SIDE
tolerances unless otherwise specified					
angles		X.±0.5			dwg no HWxx50x400JOG sheet 1 of 1 size A4
X*±1"		X.XX±0.1			
dr	ENGR	chr	appd		
EVIN ZHONG	051514	HANKE FENG	051514		
SHI JUN	051514				
sheet index	revision sheet	A	1		