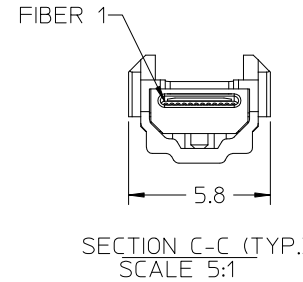
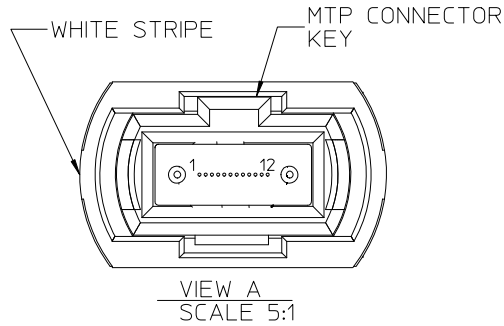
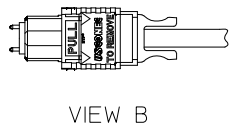
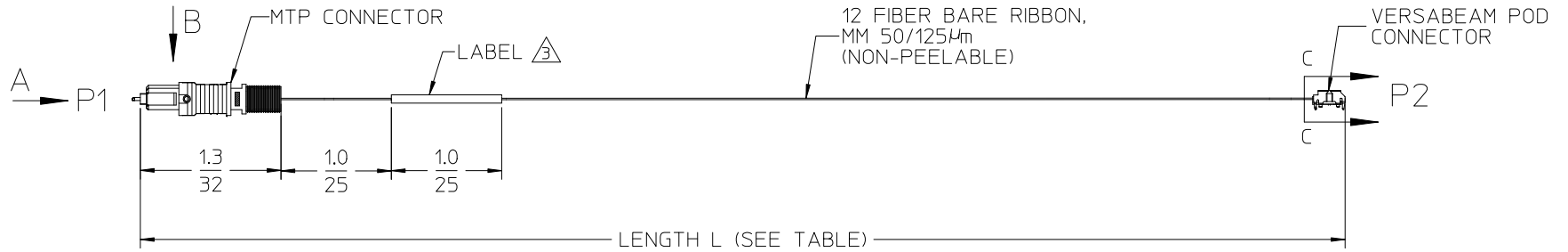


JUMPER P/N	LENGTH L m [in]	MTP CONN. TYPE
106267-2001	0.5 +0.1/-0 [19.69 +4.0/-0]	FEMALE
106267-2002	1.0 +0.2/-0 [39.4 +8.0/-0]	
106267-2011	0.5 +0.1/-0 [19.69 +4.0/-0]	MALE
106267-2012	1.0 +0.2/-0 [39.4 +8.0/-0]	
106267-2013	0.2 +0.05/-0 [8.0 +2.0/-0]	

CONNECTIONS	
P1-1 THRU P1-12	P2-1 THRU P2-12



- NOTES:
- DUST CAPS ARE NOT SHOWN BUT INCLUDED. MTP MALE CONNECTOR IS SHOWN. FEMALE CONNECTOR DOES NOT CONTAIN PINS.
 - INSERTION LOSS @ 850nm TO AN INTERPOSER: 2.0 dB. THROUGHPUT LOSS (MTP+VERSABEAM POD): 1.2dB. TEST DATA IS SENT WITH JUMPER.
 - LABEL IS PRINTED WITH MOLEX NAME, PART NUMBER AND SERIAL NUMBER.

ENTER DESCRIPTION EC NO: MF2012-0408 DR: MANKPEVZNER 2012/02/22 CHKD: LGUMIN 2012/02/23 APPR: LGUMIN 2012/02/23	QUALITY SYMBOLS	GENERAL TOLERANCES (UNLESS SPECIFIED)	DIMENSION STYLE	SCALE	DESIGN UNITS	THIRD ANGLE PROJECTION	
	▽=0	mm INCH	IN/MM	1:1	INCH		
	▽=0	4 PLACES ± --- ± ---	DRAWN BY DATE	EEFUNG 2010/08/09	TITLE		MTP12 TO VERSABEAM POD JUMPER, MM 50/125UM
		3 PLACES ± --- ± ---	CHECKED BY DATE		MOLEX INCORPORATED		
	2 PLACES ± --- ± ---	APPROVED BY DATE	BANDREI 2010/08/27	DOCUMENT NO.		SHEET NO.	
	1 PLACE ± --- ± ---	MATERIAL NO.	SEE TABLE	SD-106267-2001		1 OF 1	
	ANGULAR ±1/2°	THIS DRAWING CONTAINS INFORMATION THAT IS PROPRIETARY TO MOLEX INCORPORATED AND SHOULD NOT BE USED WITHOUT WRITTEN PERMISSION					
DRAFT WHERE APPLICABLE MUST REMAIN WITHIN DIMENSIONS							