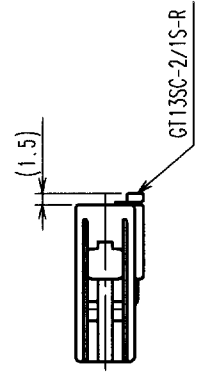
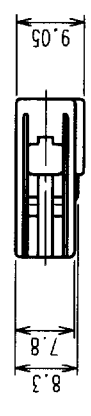
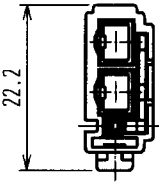
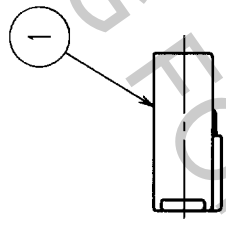
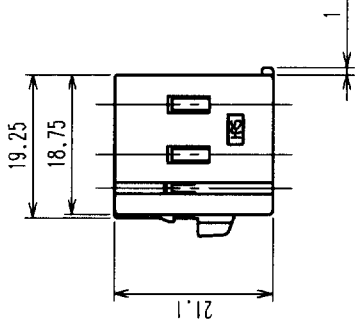


5		6		7		8			
COUNT	DESCRIPTION OF REVISIONS	BY	CHKD	DATE	COUNT	DESCRIPTION OF REVISIONS	BY	CHKD	DATE
△					△				
△					△				
△					△				



DRAWING WITH RETAINER ATTACHED

INSERT RETAINER(CL763-0017-3) AFTER CONTACT INSTALLATION FOR USE.

1		UL94HB	
NO.	MATERIAL	FINISH, REMARKS	FINISH, REMARKS
1	PBT		

CODE NO. (OLD)	NO.	MATERIAL	DESIGNED	CHECKED	APPROVED	RELEASED
			M. OKADA	A. Shinai	K. Arita	
			'01.10.12	'01.10.12	'01.10.12	

	DRAWING NO.	PART NO.
	EDC3-165771	GT13SC-2/1S-HU
	SCALE	
	1 : 1	
	UNITS	
	MM	

	HIROSE ELECTRIC CO., LTD.
	CODE NO.
	CL763-0016-0

TO			
----	--	--	--