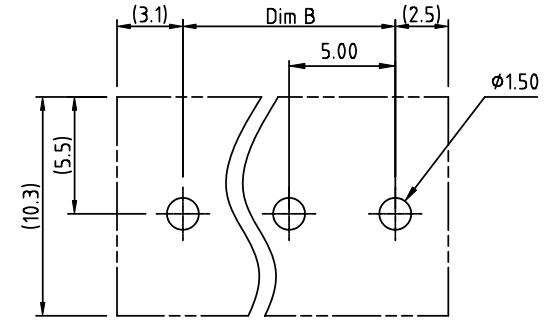
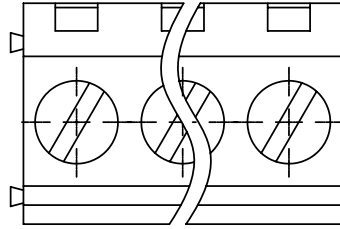
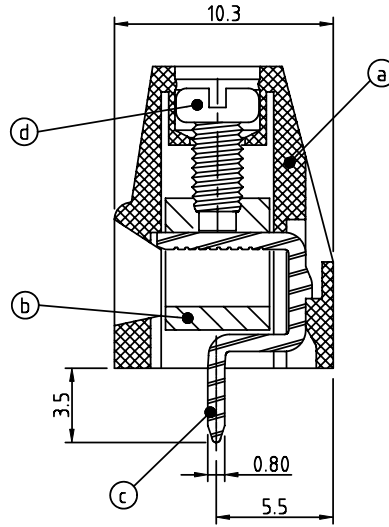
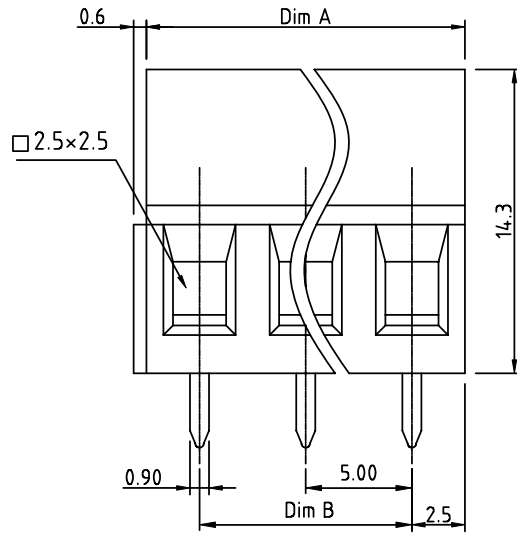


PRODUCT NUMBER	PITCH
Tlxx01x000J0G	5.00 mm



RECOMMENDED P.C.B LAYOUT
TOP VIEW



Material:

- Item Ⓐ Terminal housing : Thermoplastic (UL94V-0)
- Item Ⓑ Clamp : Brass, Ni plated
- Item Ⓒ Wire guard solder pin : Brass, Tin plated.
- Item Ⓓ Terminal screw: Steel Zinc plating "-" slot type

Electrical:

- | | | | |
|--------------------------|-------------------------|----------|--------------------------|
| | CQC | cULus | VDE |
| ● Voltage rating: | 300V | 300V | 250V |
| ● Current rating: | 24A | 16A | 10A |
| ● Wire range: | 0.2-2.5 mm ² | | 0.34-4.0 mm ² |
| ● Solid wire(AWG): | | 12-22 | |
| ● Stranded wire(AWG): | | 12-22 | |
| ● Torque: | 0.4Nm | 3.5Lb-In | 0.4Nm |
| ● Screw: | | M2.5 | |
| ● Wire strip length: | | 6-7mm | |
| ● Withstanding Voltage: | 2.5KV | 1.6KV | 2KV |
| ● Operating temperature: | -40°C to +115°C | | |
| ● Soldering temperature: | 260°C ±5°C/5 Sec | | |
| ● Safety Approval: | | | |

N=NUMBER OF POLES

Dim A=N×5.00	
Dim B=(N-1)×5.00	
Poles	DimA&B Tolerance
2P-6P	±0.15
7P-12P	±0.20
13P-18P	±0.30
19P-24P	±0.40

PART NO.: TI xx 0 1 x 0 00J0 G

End stackable	0	Color	Black (RAL9005)	RoHS compliant	(lead<4%)
No. of poles	2		Red (RAL3001/D)	In copper Alloy	
02	2 poles		3 Orange(RAL2011/P)		
03	3 poles		4 Yellow(RAL1018/A)		
...	...		5 Green(RAL6018/T)		
24	24 poles		6 Blue (RAL5015/A)		
			8 Grey(RAL7035/D)		
			9 White(RAL1102)		
			C Green(RAL6018/U)		

mat'l. code		surface ASME Y14.5	tolerance ASME Y14.5	projection 	product family TERMINAL BLOCK
ltr	ecn no	dr	date		title
				tolerances unless otherwise specified	TERMINAL BLOCK
				angles 	↑
				flatness 	MM
				parallelism 	scale
				position 	dr
				total run out 	ENGR
					EVIN ZHONG 040814
					chr
					HANKE FENG 040814
					appd
					SHI JUN 040814
sheet index	revision	A			product family
sheet	sheet	1			TERMINAL BLOCK
					title
					TERMINAL BLOCK
					↑
					scale
					dr
					ENGR
					EVIN ZHONG 040814
					chr
					HANKE FENG 040814
					appd
					SHI JUN 040814
					sheet 1 of 1
					size
					A4
					type
					CUSTOMER Drawing