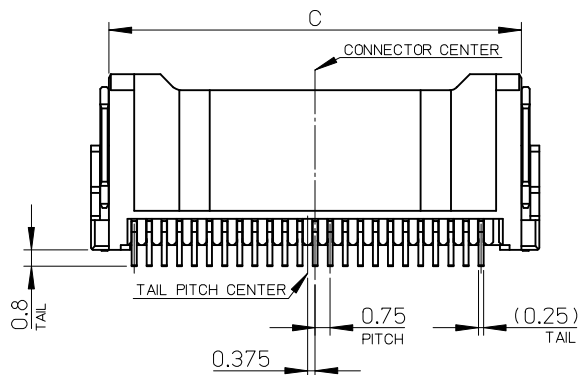
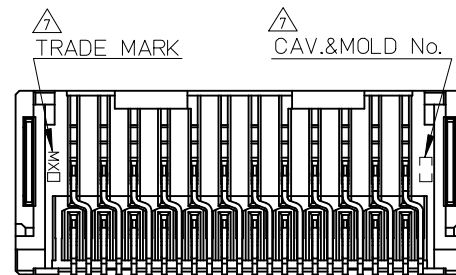
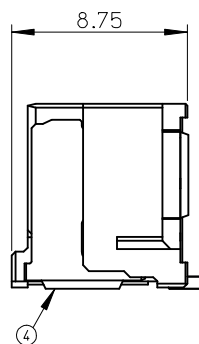
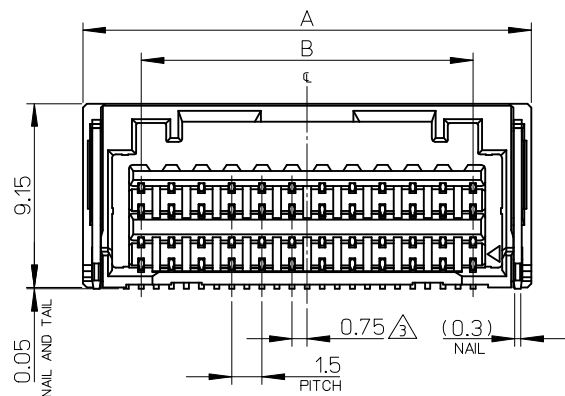


10極ハウジング形状
(HOUSING FORM OF 10CKT)
SCALE 2:1



| No. | PART | MATERIAL |
|-----|------------|--|
| ① | HOUSING | 耐熱性樹脂 UL94V-0 HEATPROOF RESIN UL94V-0 |
| ② | TERMINAL A | 銅合金 COPPER ALLOY |
| ③ | TERMINAL B | 錫メッキ : 1.0 micro-meter MIN. TIN ニッケルメッキ (下地) : 1.0 micro-meter MIN. NICKEL (UNDER PLATING) |
| ④ | NAIL | 銅合金 COPPER ALLOY 錫メッキ : 1.0 micro-meter MIN. TIN ニッケルメッキ (下地) : 1.0 micro-meter MIN. NICKEL (UNDER PLATING) |

| | | | | | | |
|-----------------------|------|-----|------|------|------|---------|
| 503148 - 269* | 5.6 | 5.2 | 22.0 | 18.0 | 23.8 | 26 |
| 503148 - 249* | 5.6 | 5.2 | 20.5 | 16.5 | 22.3 | 24 |
| 503148 - 229* | 5.6 | 3.2 | 19.0 | 15.0 | 20.8 | 22 |
| 503148 - 209* | 5.6 | 3.2 | 17.5 | 13.5 | 19.3 | 20 |
| 503148 - 189* | 5.6 | 3.2 | 16.0 | 12.0 | 17.8 | 18 |
| 503148 - 169* | 5.6 | 2.5 | 14.5 | 10.5 | 16.3 | 16 |
| 503148 - 149* | 5.6 | 2.5 | 13.0 | 9.0 | 14.8 | 14 |
| 503148 - 129* | 5.6 | 2.3 | 11.5 | 7.5 | 13.3 | 12 |
| 503148 - 109* | 2.75 | 3.6 | 10 | 6 | 11.8 | 10 |
| 503148 - 089* | 2.75 | 3.6 | 8.5 | 4.5 | 10.3 | 8 |
| EMBOSSED TAPE PACKAGE | | | | | | |
| オーダー番号 ORDER No. | E | D | C | B | A | CIRCUIT |

| REV | DESCRIPTION | DATE | BY |
|-----|--|-------|----|
| 10 | UNDER | ±0.2 | |
| 10 | OVER 30 UNDER | ±0.25 | |
| 30 | OVER | ±0.3 | |
| | ANGULAR | ±1 ° | |
| | DRAFT WHERE APPLICABLE MUST REMAIN WITHIN DIMENSIONS | | |

| GENERAL TOLERANCES (UNLESS SPECIFIED) | | DIMENSION STYLE | SCALE | DESIGN UNITS | THIRD ANGLE PROJECTION | |
|--|-----------|-------------------------------------|---------------|--------------|------------------------|--|
| | | MM ONLY | 4:1 | METRIC | | |
| DRAWN BY | DATE | TITLE | | | | |
| T.HANYU | 2007/11/2 | 1.5 W/B CONN. DUAL R/A REC. ASSY | | | | |
| CHECKED BY | DATE | | | | | |
| K.ASAKAWA | 2007/11/2 | | | | | |
| APPROVED BY | DATE | MATERIAL NO. | DOCUMENT NO. | SHEET NO. | | |
| YO.IITO | 2007/11/2 | SEE CHART | SD-503148-001 | 1 OF 3 | | |
| THIS DRAWING CONTAINS INFORMATION THAT IS PROPRIETARY TO MOLEX INCORPORATED AND SHOULD NOT BE USED WITHOUT WRITTEN PERMISSION | | | | | | |

ORDER No. AND CONNECTOR SERIES No.

| HOUSING COLOR : BEIGE (NATURAL) | | | HOUSING COLOR : BLACK | | | HOUSING COLOR : RED | | |
|---------------------------------|--|---------------|------------------------------------|---------------|--|---------------------|------------------------------------|--|
| 26 | 503148 - 2690 | 503148 - **90 | 503148 - 2691 | 503148 - **91 | 503148 - 2692 | 503148 - **92 | | |
| 24 | 503148 - 2490 | | 503148 - 2491 | | 503148 - 2492 | | | |
| 22 | 503148 - 2290 | | 503148 - 2291 | | 503148 - 2292 | | | |
| 20 | 503148 - 2090 | | 503148 - 2091 | | 503148 - 2092 | | | |
| 18 | 503148 - 1890 | | 503148 - 1891 | | 503148 - 1892 | | | |
| 16 | 503148 - 1690 | | 503148 - 1691 | | 503148 - 1692 | | | |
| 14 | 503148 - 1490 | | 503148 - 1491 | | 503148 - 1492 | | | |
| 12 | 503148 - 1290 | | 503148 - 1291 | | 503148 - 1292 | | | |
| 10 | 503148 - 1090 | | 503148 - 1091 | | 503148 - 1092 | | | |
| 8 | 503148 - 0890 | | 503148 - 0891 | | 503148 - 0892 | | | |
| CIRCUIT | EMBOSSSED TAPE PACKAGE オーダー番号 ORDER No. | | CONNECTOR SERIES No. コネクタシリーズ番号 | | EMBOSSSED TAPE PACKAGE オーダー番号 ORDER No. | | CONNECTOR SERIES No. コネクタシリーズ番号 | EMBOSSSED TAPE PACKAGE オーダー番号 ORDER No. |

| HOUSING COLOR : BLUE | | | HOUSING COLOR : GREEN | | |
|----------------------|--|---------------|------------------------------------|---------------|--|
| 26 | 503148 - 2694 | 503148 - **94 | 503148 - 2696 | 503148 - **96 | |
| 24 | 503148 - 2494 | | 503148 - 2496 | | |
| 22 | 503148 - 2294 | | 503148 - 2296 | | |
| 20 | 503148 - 2094 | | 503148 - 2096 | | |
| 18 | 503148 - 1894 | | 503148 - 1896 | | |
| 16 | 503148 - 1694 | | 503148 - 1696 | | |
| 14 | 503148 - 1494 | | 503148 - 1496 | | |
| 12 | 503148 - 1294 | | 503148 - 1296 | | |
| 10 | 503148 - 1094 | | 503148 - 1096 | | |
| 8 | 503148 - 0894 | | 503148 - 0896 | | |
| CIRCUIT | EMBOSSSED TAPE PACKAGE オーダー番号 ORDER No. | | CONNECTOR SERIES No. コネクタシリーズ番号 | | EMBOSSSED TAPE PACKAGE オーダー番号 ORDER No. |

| | | | | | | |
|---|---------------------------------------|-----------|---|-------------------|--|------------------------|
| SEE SHEET1 EC NO.: J2015-0024 DRAWN: YWAKE 2014/05/30 CHKD: KASAKAWA 2014/06/02 APPR: NUKITA 2014/07/08 | GENERAL TOLERANCES (UNLESS SPECIFIED) | | DIMENSION STYLE MM ONLY | SCALE 4:1 | DESIGN UNITS METRIC | THIRD ANGLE PROJECTION |
| | 10 UNDER | ± 0.2 | DRAWN BY T. HANYU | DATE 2007/11/2 | TITLE 1.5 W/B CONN. DUAL R/A REC. ASSY | |
| | 10 OVER 30 UNDER | ± 0.25 | CHECKED BY K. ASAKAWA | DATE 2007/11/2 | | |
| | 30 OVER | ± 0.3 | APPROVED BY YO. ITO | DATE 2007/11/2 | | |
| | ANGULAR ±1 ° | | MATERIAL NO. | | DOCUMENT NO. | SHEET NO. |
| DRAFT WHERE APPLICABLE MUST REMAIN WITHIN DIMENSIONS | | SEE CHART | | SD-503148-001 | | 3 OF 3 |
| | | | THIS DRAWING CONTAINS INFORMATION THAT IS PROPRIETARY TO MOLEX INCORPORATED AND SHOULD NOT BE USED WITHOUT WRITTEN PERMISSION | | | |

10 9 8 7 6 5 4 3 2 1

F

E

D

C

B

A

F

E

D

C

B

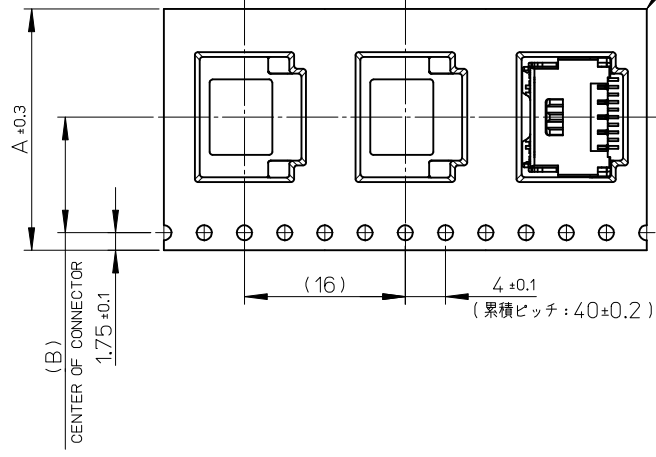
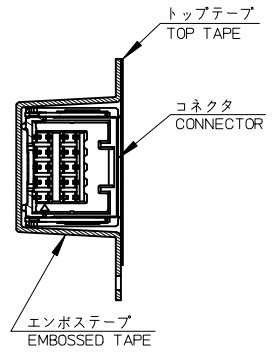
A

引き出し方向
PULL OUT DIRECTION

44mm幅テープ
TAPE WIDTH : 44mm

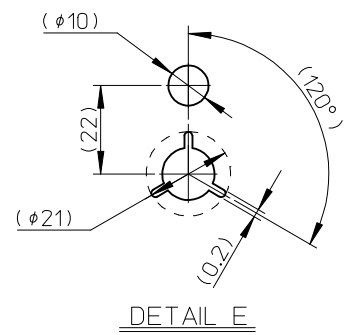
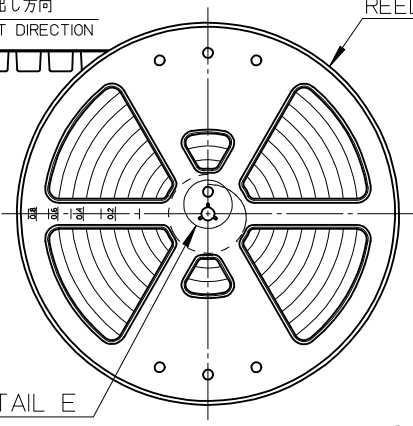
32mm幅テープ
TAPE WIDTH : 32mm

24mm幅テープ
TAPE WIDTH : 24mm



引き出し方向
PULL OUT DIRECTION

REEL



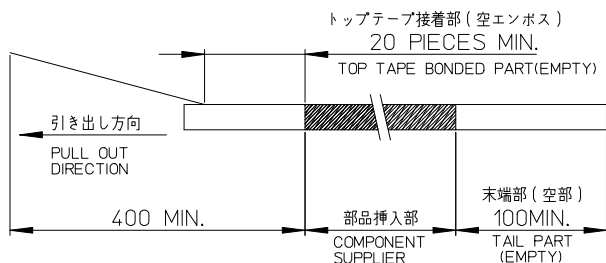
| | | | | |
|------|------|-----------------------------|------------------------|-------------|
| 45.5 | 20.2 | 44 | 503148-269* | 26 |
| 45.5 | 20.2 | 44 | 503148-249* | 24 |
| 45.5 | 20.2 | 44 | 503148-229* | 22 |
| 45.5 | 20.2 | 44 | 503148-209* | 20 |
| 45.5 | 20.2 | 44 | 503148-189* | 18 |
| 33.5 | 14.2 | 32 | 503148-169* | 16 |
| 33.5 | 14.2 | 32 | 503148-149* | 14 |
| 33.5 | 14.2 | 32 | 503148-129* | 12 |
| 25.5 | 11.5 | 24 | 503148-109* | 10 |
| 25.5 | 11.5 | 24 | 503148-089* | 8 |
| C | B | エンボステープ幅 A WIDTH OF TAPE | △ 製品番号 MATERIAL No. | CIRCUIT No. |

| | | | | | | |
|--|--|--|----------------------------|-------------------------------|--|---------------------------|
| REVISED EC NO. J2015-0024 DRWN:YAKE 2014/06/02 CHKD:KASAKAWA 2014/06/02 APPR:NUKITA 2014/07/08 | GENERAL TOLERANCES (UNLESS SPECIFIED) | | DIMENSION STYLE MM ONLY | SCALE 2:1 | DESIGN UNITS METRIC | THIRD ANGLE PROJECTION |
| | 10 UNDER | ± 0.2 | DRAWN BY T. HANYU | DATE 2007/11/26 | TITLE EMBOSSSED TAPE PACKAGE FOR 503148-**** | |
| | 10 OVER 30 UNDER | ± 0.25 | CHECKED BY K. ASAKAWA | DATE 2007/11/26 | | |
| | 30 OVER | ± 0.3 | APPROVED BY YO. ITO | DATE 2007/11/26 | | |
| ANGULAR | ± 1 ° | DRAFT WHERE APPLICABLE MUST REMAIN WITHIN DIMENSIONS | MATERIAL NO. SEE CHART | DOCUMENT NO. SD-503148-002 | SHEET NO. 1 OF 2 | |
| SIZE A3 | THIS DRAWING CONTAINS INFORMATION THAT IS PROPRIETARY TO MOLEX INCORPORATED AND SHOULD NOT BE USED WITHOUT WRITTEN PERMISSION | | | | | |

9 8 7 6 5 4 3 2

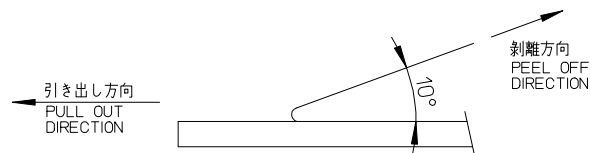
NOTE

- 1. 梱包数量 : 550個/リール
NUMBER OF CONNECTORS : 550 PIECES/REEL
- 2. リードテープ長さ
LEAD TAPE LENGTH



- 3. トップテープの剥離強度 : 0.1~0.3 N (10.2~132.5gf)
剥離方向は下記参照。
PEELING OFF FORCE OF TOP TAPE
PEELING DIRECTION AS SHOWN IN FOLLOWING FIGURE.

尚、本規格は出荷時に適用。(但し、輸送時に剥離が発生しない事)
THIS REQUIREMENT SHOULD BE APPLIED AT SHIPMENT.
PEEL OFF SHOULD NOT BE ALLOWED DURING TRANSPORTION.



- 4. 製品詳細寸法については、SD-503148-001を参照して下さい。
PLEASE REFER TO SD-503148-001 FOR THE DETAILED
DIMENSION OF THE CONNECTOR.

MATERIAL No. AND CONNECTOR SERIES No.



| HOUSING COLOR CIRCUIT No. | MATERIAL No. | | | | |
|------------------------------|--------------|--------------|--------------|--------------|----------------------------|
| | 黒 BLACK | 赤 RED | 青 BLUE | 緑 GREEN | ベージュ BEIGE (NATURAL) |
| CIRCUIT No.26 | 503148-2691 | 503148-2692 | 503148-2694 | 503148-2696 | 503148-2690 |
| CIRCUIT No.24 | 2491 | 2492 | 2494 | 2496 | 2490 |
| CIRCUIT No.22 | 2291 | 2292 | 2294 | 2296 | 2290 |
| CIRCUIT No.20 | 2091 | 2092 | 2094 | 2096 | 2090 |
| CIRCUIT No.18 | 1891 | 1892 | 1894 | 1896 | 1890 |
| CIRCUIT No.16 | 1691 | 1692 | 1694 | 1696 | 1690 |
| CIRCUIT No.14 | 1491 | 1492 | 1494 | 1496 | 1490 |
| CIRCUIT No.12 | 1291 | 1292 | 1294 | 1296 | 1290 |
| CIRCUIT No.10 | 1091 | 1092 | 1094 | 1096 | 1090 |
| CIRCUIT No.8 | 503148-0891 | 503148-0892 | 503148-0894 | 503148-0896 | 503148-0890 |
| CONNECTOR SERIES No. | 503148- **91 | 503148- **92 | 503148- **94 | 503148- **96 | 503148- **90 |

- 6. 材料
MATERIAL
キャリアテープ : ポリスチレン
CARRIER TAPE : POLYSTYRENE
トップテープ : ポリエステル、ポリエチレン、ポリエチレンテレフタレート
TOP TAPE : POLYESTER, POLYETHYLENE, POLYETHYLENE TEREPHTHALATE
リール : ポリスチレン (リサイクル材含む)
REEL : POLYSTYRENE (RECYCLE MATERIAL CONTAINED)
- 7. ELV及びRoHS適合品
ELV AND RoHS COMPLIANT

| | | | | | | | |
|---|--|---------------------------|----------------------------|--|--|------------------------|---------------------------|
| REVISED EC NO: J2015-0024 DRWN: YWAKE 2014/06/02 CHKD: KASAKAWA 2014/06/02 APPR: NUKIITA 2014/07/08 | GENERAL TOLERANCES (UNLESS SPECIFIED) | | DIMENSION STYLE MM ONLY | | SCALE 2:1 | DESIGN UNITS METRIC | THIRD ANGLE PROJECTION |
| | 10 UNDER | ±0.2 | DRAWN BY T. HANYU | DATE 2007/11/26 | TITLE EMBOSSSED TAPE PACKAGE FOR 503148-**** | | |
| | 10 OVER 30 UNDER | ±0.25 | CHECKED BY K. ASAKAWA | DATE 2007/11/26 | | | |
| | 30 OVER | ±0.3 | APPROVED BY YO. ITO | DATE 2007/11/26 | | | |
| ANGULAR ±1 ° | | MATERIAL NO. SEE CHART | | DOCUMENT NO. SD-503148-002 | | | |
| | DRAFT WHERE APPLICABLE MUST REMAIN WITHIN DIMENSIONS | | SIZE A3 | THIS DRAWING CONTAINS INFORMATION THAT IS PROPRIETARY TO MOLEX INCORPORATED AND SHOULD NOT BE USED WITHOUT WRITTEN PERMISSION | | | |