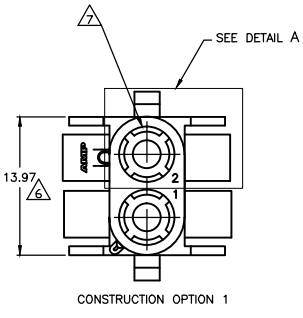
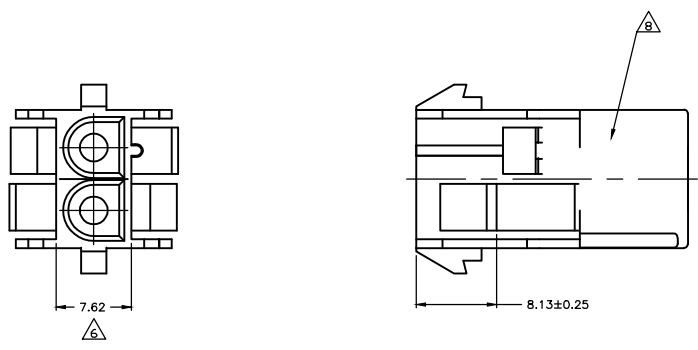
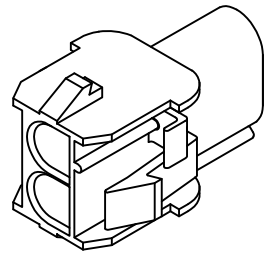
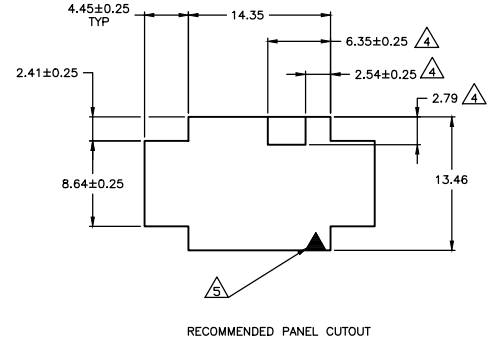
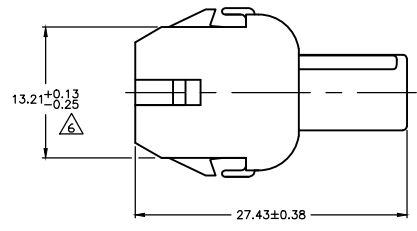
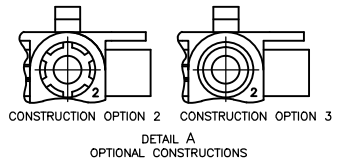


REVISIONS				
TR	LINE	DESCRIPTION	DATE	BY / APPR
	AG3	REVISED PER ECO-17-002636	24FEB17	RS / KR



- MATES WITH APPROPRIATE UNIVERSAL MATE-N-LOK® PLUG.
 - RECOMMENDED PANEL THICKNESS 0.76 - 2.29.
 - PANEL MUST BE PUNCHED SO THAT THE HOUSING ENTERS THE PANEL IN THE SAME DIRECTION AS THE PUNCH.
- △A OPTIONAL FOR KEYING HOUSING IN PANEL.
 - △B CIRCUIT NUMBER 1 LOCATION.
 - △C DIMENSION INDICATED IS AS MOLDED. ADDITIONAL GROWTH DUE TO SUBSEQUENT MOISTURE ABSORPTION MAY OCCUR.
 - △D FOUR RIBS EQUALLY SPACED, NO SPECIFIC ORIENTATION. NO RIBS OR SIX RIBS EQUALLY SPACED, NO SPECIFIC ORIENTATION, OPTIONAL.
 - △E UNDERWRITERS RECOGNIZED COMPONENT LOGO AND CSA CERTIFICATION LOGO TO BE LOCATED ONCE EACH ON SIDE OF HOUSING.
 - △F OBSOLETE PARTS: OBSOLETE CIS STREAMLINING PER D.RENAUD/D.SINISI
 - △G CONSTRUCTION OPTION 2 ONLY ALLOWED CONSTRUCTION OPTIONS 1 AND 3 NOT PERMISSIBLE
 - △H PRELIMINARY- NOT FOR PRODUCTION



3-DIMENSIONAL MODEL
NTS

△A	NATURAL	△H	2-480699-0
	BLACK		1-480699-9
	GREY		1-480699-8
	BLUE		1-480699-6
	GREEN		1-480699-5
△I	SUPERSEDED BY 1-480699-0		YELLOW
			ORANGE
△J	OBSOLETE		RED
			BROWN
			NATURAL
			COLOR
			PART NO.

4.45	.175	27.43	1.080
2.79	.110	14.35	.565
2.54	.100	13.97	.550
2.41	.095	13.46	.530
2.29	.090	13.21	.520
0.76	.030	8.64	.340
0.38	.015	8.13	.320
0.25	.010	7.62	.300
0.13	.005	6.35	.250
MM	IN	MM	IN

CONVERSION TABLE

THIS DRAWING IS A CONTROLLED DOCUMENT.

DESIGNER: K. WHITAKER 24XJ92
 CHECKED: B. SWING 24XJ92
 APPROVED: J. SELF 27A192

MATERIAL: NYLONUL 94V-2
 FINISH: -

WEIGHT: 0.000000
 PARTS: 1

DATE CODE: A1
 DRAWING NO: 00779
 CUSTOMER DRAWING

SCALE: 4:1
 SHEET: 1 OF 1
 REV: AG3

TE Connectivity
 CAP.2 CIRCUIT,
 UNIVERSAL MATE-N-LOK (TM)

