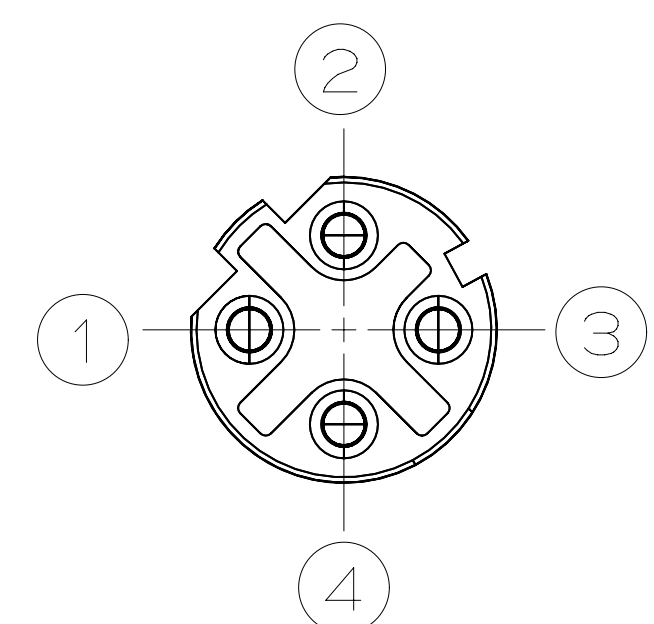
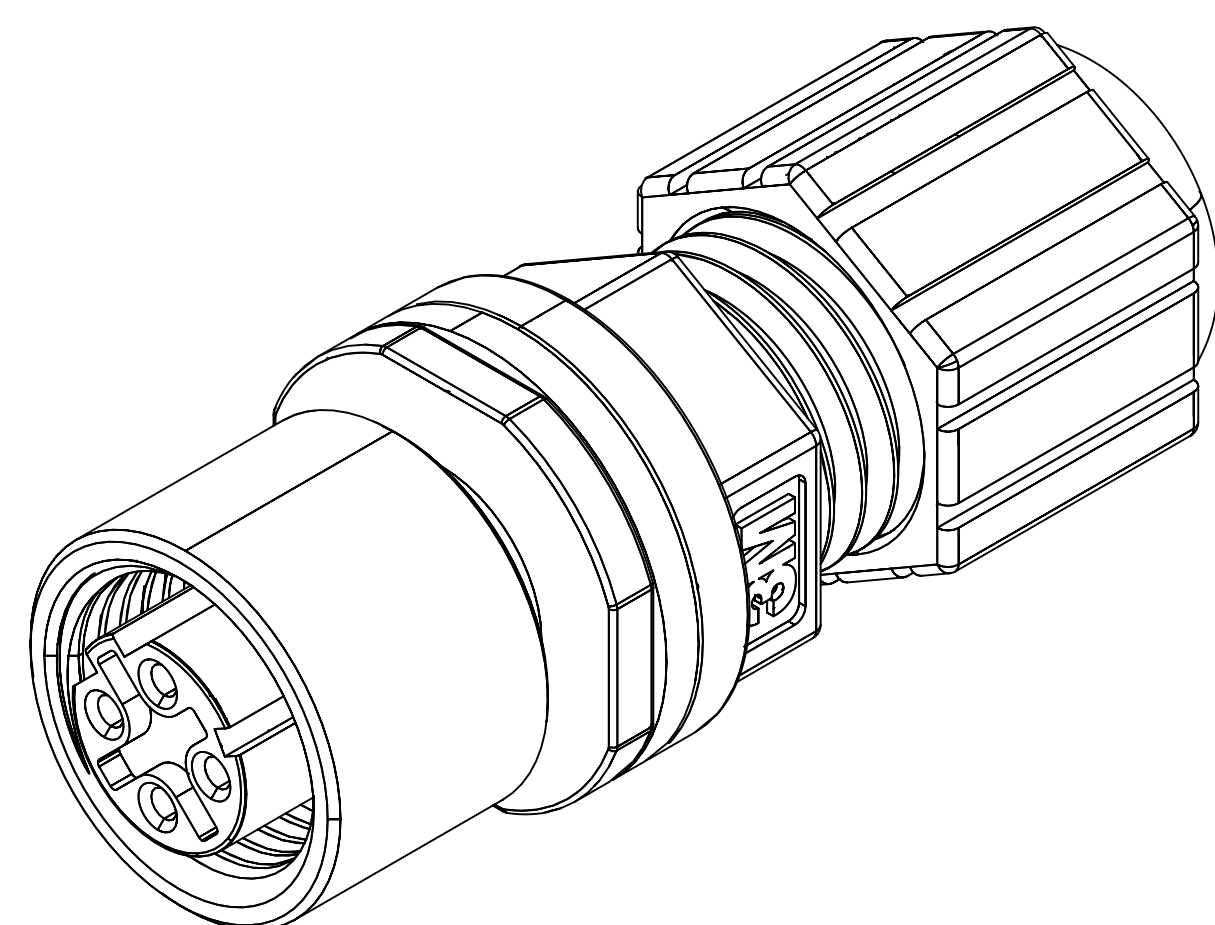
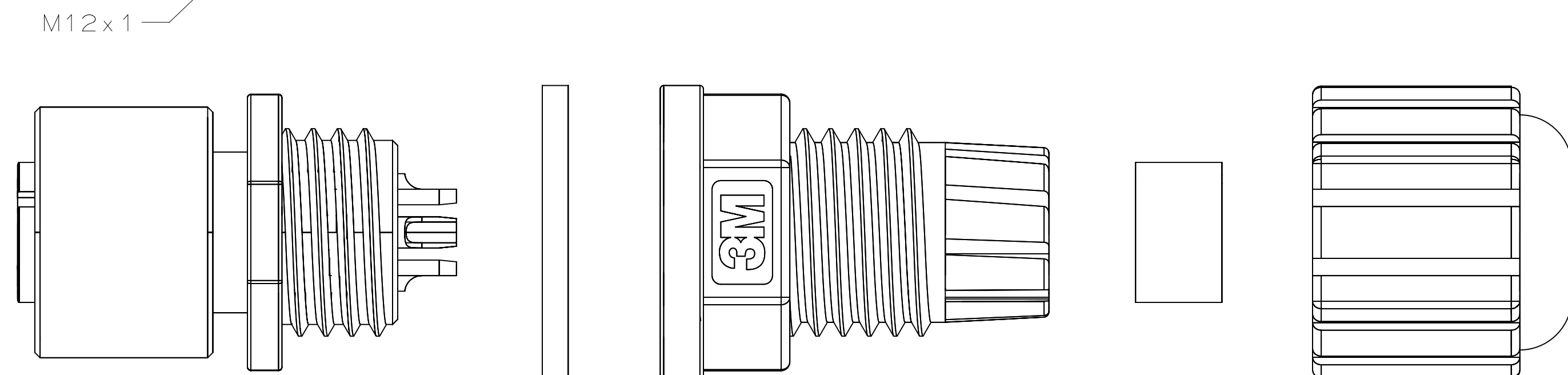
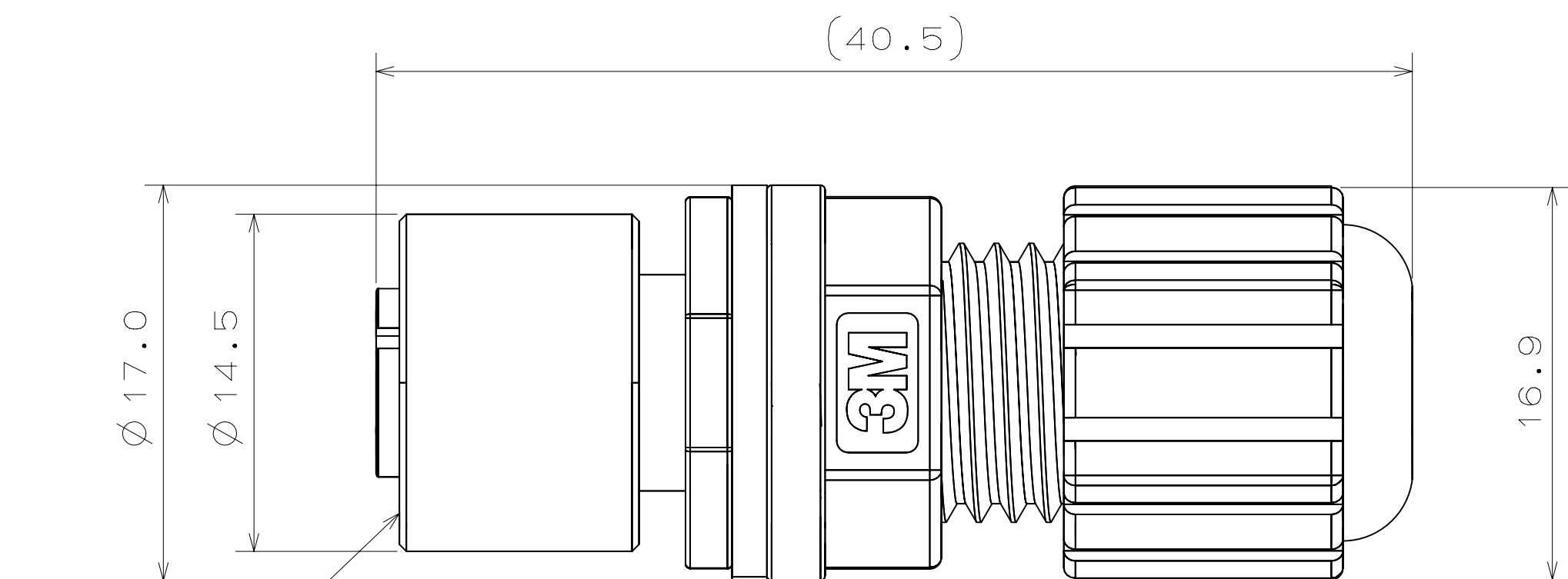


# 3M™ INDUSTRIAL M12 WM CONNECTOR

FOR 4POS, D-CODE, FEMALE, SOLDER TYPE



Pin Assignment

## PERFORMANCE

- 1) MECHANICAL  
POLARIZING METHOD: 35N MIN.  
  
CONTACT INSERTION FORCE: 10N/pin MAX.  
CONTACT WITHDRAWL FORCE: 15N/pin MAX.  
  
WATERPROOF: IP68 (IN WATER 1mm DEPTH, 24H)
  - 2) ELECTRICAL  
CURRENT RATING: 4.0A  
  
VOLTAGE RATING: 250VDC  
  
WITHSTANDING VOLTAGE: 1000VACrms  
  
INSULATION RESISTANCE:  $1 \times 10^9$  OHMS at 500VDC  
  
CONTACT RESISTANCE:  
10 MILLI OHM AT INITIAL CONDITION  
DELTA R 15 MILLI OHM MAX. AFTER  
EVALUATION TEST BASED ON 78-5102-0151-6
  - 3) ENVIRONMENTAL  
TEMPERATURE RATING: -25°C TO 85°C
- NOTE  
FOR LOW TEMPERATURE LIMIT:  
EXCLUDING CABLE PERFORMANCE NO DEW CONDITION  
FOR HIGH TEMPERATURE LIMIT:  
INCLUDING TEMPERATURE RAISING BY CURRENT

## NOTES

- 1 MATERIAL:  
BODY: THERMOPLASTIC, UL 94V0  
COVER: THERMOPLASTIC, UL 94V0  
GLAND NUT:  
THERMOPLASTIC, UL 94V0  
  
CONTACT: COPPER ALLOY
- 2 PLATING  
CONTACT AREA: 0.2µm GOLD MIN.
- 3 MATED WITH INDUSTRIAL M12 MALE CONNECTOR
- 4 COMPATIBLE CABLE:  
  
1) WIRE  
AWG 20 STRANDED  
AWG 24 STRANDED  
  
2) CABLE OUTER DIAMETER  
4.0 to 6.5mm
- 5 RoHS COMPLIANT.  
SEE THE REGULATORY  
INFORMATION APPENDIX (RIA)  
IN THE "RoHS COMPLIANCE"  
SECTION OF  
WWW.3MCONNECTORS.COM FOR  
COMPLIANCE INFORMATION  
(RIA E1 & C1 APPLY).
- 6 FOR PRODUCT SPECIFICATIONS  
AND WARRANTY INFORMATION  
SEE 3M 78-5102-0151-6
- 7 IN THE EVENT OF CONFLICT  
BETWEEN THIS DATA AND  
THAT CONTAINED IN THE  
PRODUCT SPECIFICATION,  
THE PRODUCT SPECIFICATION  
TAKES PRECEDENT.

## ORDERING INFORMATION M12 WM CONNECTOR

**3N3 04-D000-S08 BF**

PRODUCTION SERIES  
3N3: INDUSTRIAL M12 WM  
FEMALE CONNECTOR

PLATING SUFFIX  
BF: CONTACT AREA 0.2µm GOLD

CONTACT QUANTITY  
04: 4 PIN

IP CLASS  
8: IP68

CODE  
D: D CODE

WIRING METHOD  
S: SOLDER TYPE

3M™ ELECTRONIC SOLUTIONS DIVISION  
INTERCONNECT SOLUTIONS  
VISIT <http://www.3mconnectors.com>

3M IS A TRADEMARK OF 3M COMPANY.  
FOR TECHNICAL, SALES OR ORDERING INFORMATION  
CALL YOUR LOCAL SALES REPRESENTATIVE

DESIGN REFERENCE	NEXT ASSEMBLY	REV	ECO	ISSUE DATE AND DESCRIPTION	DRFT	CHKD
				SEP 06, 2012 PRODUCTION RELEASE	T.O	H.K
<small>DISTRICT CODES</small> <small>DATE</small> SEP 06, 2012 <small>CHKD</small> T. OHTA <small>DATE</small> SEP 06, 2012 <small>APPV</small> H. KOSUGI <small>DATE</small> SEP 06, 2012		<small>DIVISION</small> Interconnect Solutions <small>DIVISION CODE</small> ISD <small>DO NOT SCALE DRAWING</small> <small>SCALE</small> <small>TOLERANCES EXCEPT AS NOTED</small> <small>INCHES</small> <small>THIRD ANGLE PROJECTION</small> <small>INTERPRET PER ASME Y14.5 - 1994</small> <small>MILLIMETERS</small> <small>MAX SURFACE ROUGHNESS</small> <small>DTX SURFACES</small> <small>MARKED ONLY</small>				
<small>3M</small> Center St. Paul, MN 55144 <small>© 3M COPYRIGHT 2012</small> <small>This document and the information it contains are 3M property and may not be reproduced or further distributed without 3M permission, or used or disclosed other than for 3M authorized purposes. All rights reserved.</small>		<small>TITLE</small> INDUSTRIAL M12 WIRE MOUNT, FOR D-CODE, FEMALE, SOLDER TYPE <small>CAGE NUMBER</small> D 78-5100-2558-4 <small>SIZE</small> 13 <small>DRAWING NO.</small> 78-5100-2558-4 <small>REV.</small> A <small>MODEL</small> <small>DEF</small> <input type="checkbox"/> YES <input checked="" type="checkbox"/> NO <small>SHT</small> 1 OF 1				