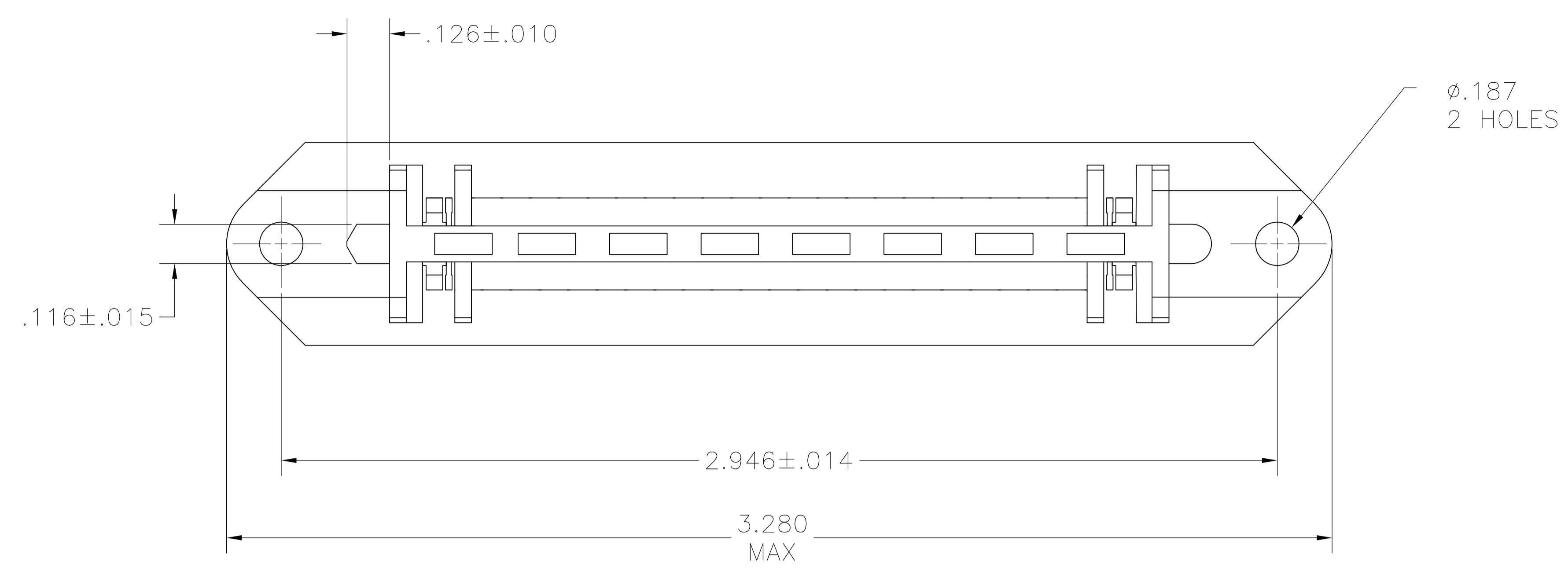
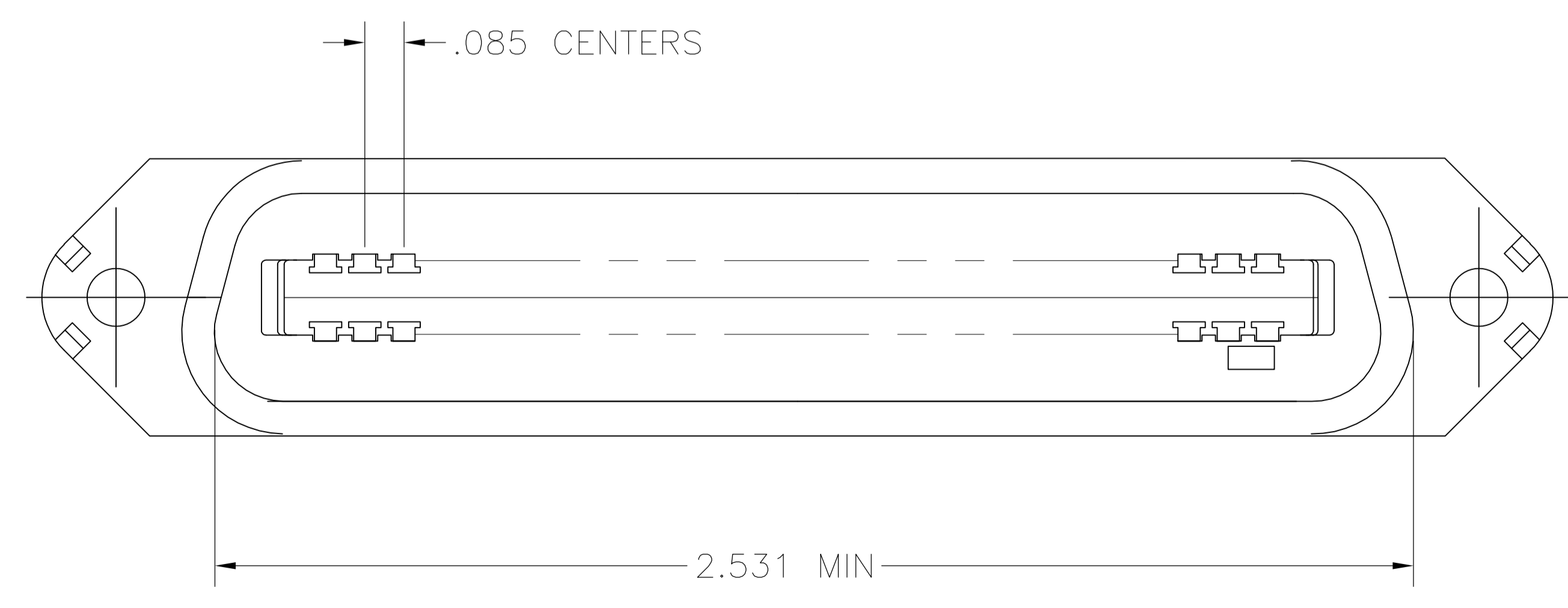
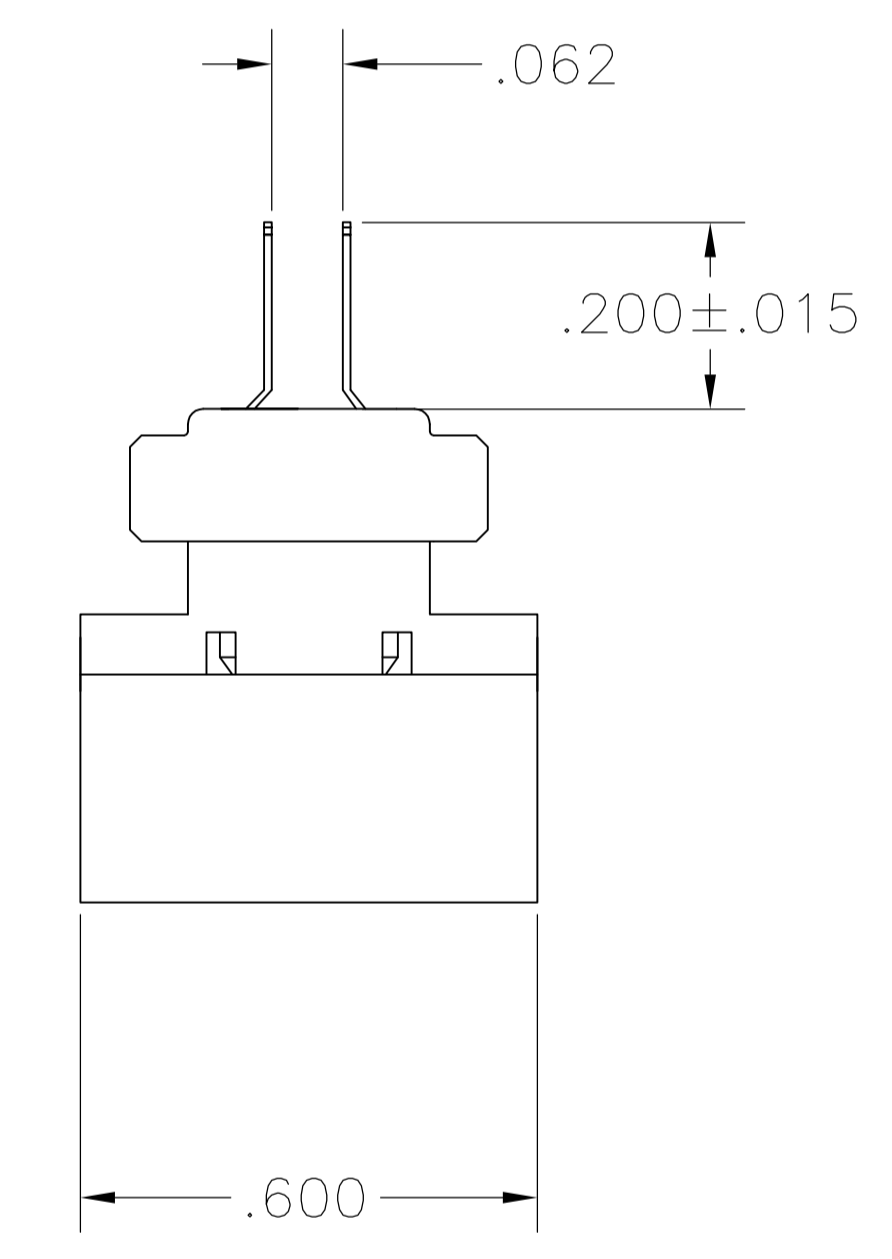
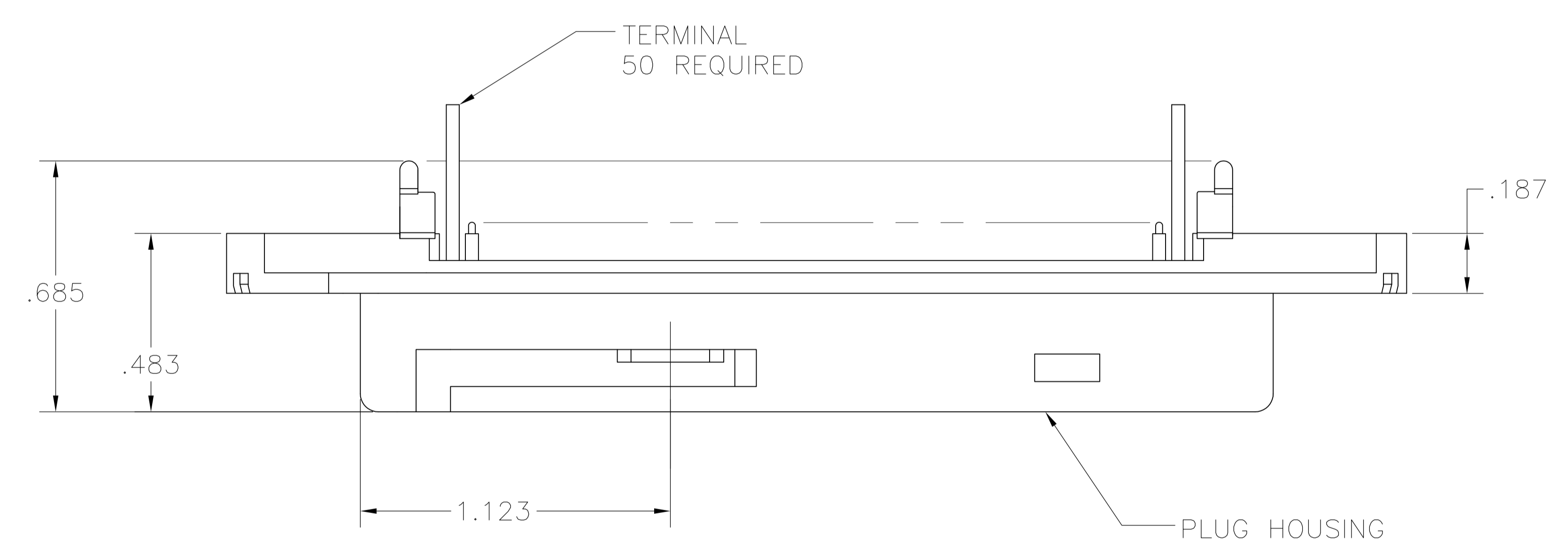


LOC		DIST		REVISIONS			
GP	00	REV	DATE	BY	APPV	DATE	BY
K		REVISED PER ECO-08-007327	22JUL08	BM	WM		



1. THE CONTACT SURFACES OF THE TERMINALS ARE COATED WITH LUBRICANT.
2. MATERIAL: HOUSING - THERMOPLASTIC, BLACK. TERMINAL - PHOS BRONZE PLATED WITH EITHER .000030 MINIMUM GOLD PLATE OR GOLD FLASH OVER PALLADIUM NICKEL PLATE, .000030 MINIMUM TOTAL ON MATING SURFACE. .000120 MINIMUM TIN-LEAD PLATE ON TAILS OVER .000050 MINIMUM NICKEL UNDERPLATE OVER ENTIRE TERMINAL.
3. ALL DIMENSIONS SHOWN ARE FOR REFERENCE ONLY UNLESS OTHERWISE SPECIFIED.



552126-1
PART NUMBER

THIS DRAWING IS A CONTROLLED DOCUMENT.		DIN Z. REAM 9/MAR/07	Tyco Electronics Corporation Harrisburg, PA 17105-3608	
DIMENSIONS: INCHES		CHK: W. MILLHIMES 9/MAR/07	NAME: PLUG ASSY, 50 POSN, EDGE MTG, CHAMP-LOK	
TOLERANCES UNLESS OTHERWISE SPECIFIED:		APVD: W. MILLHIMES 9/MAR/07	APPLICATION SPEC: -	
0. PLC	± .0005	SIZE: A1		
1. PLC	± .0010	CAGE CODE: 00779		
2. PLC	± .0015	DRAWING NO: 552126		
3. PLC	± .0020	RESTRICTED TO: -		
4. PLC	± .0025	WEIGHT: -		
ANGLES	± .0005	CUSTOMER DRAWING		
MATERIAL: 2		SCALE: 4:1		SHEET 1 OF 1
FINISH: 2		REV: K		