

PRODUCT NUMBER
20020011-XXXXXXLF

20020011 — □ □ □ □ □ 0 □ L F

PITCH
C: 3.50 mm
D: 3.81 mm
G: 5.00 mm
H: 5.08 mm

POLES
02: 2 POLES
03: 3 POLES
04: 4 POLES
:
:
:
24: 24 POLES

LF : NOTED RoHS COMPATIBLE

1 : STANDARD PRODUCT
W/ BOX PACKING

PROPERTY TABLE							
FCI SERIES NAME		02-350	02-381	02-500	02-508		
PITCH (mm)		3.50	3.81	5.00	5.08		
VOLTAGE RATING (VAC)		300	300	300	300		
CURRENT RATING (A)		cULus	8	8	12		
		VDE	10	10	NA		
APPLICABLE WIRE RANGE (AWG)		1-WIRE	16~28	16~28	12~24		
		2-WIRE	20	20	18		
WIRE CROSS SECTION (mm ²)		SOLID	1-WIRE	1.5	1.5	2.5	2.5
			2-WIRE	0.5	0.5	1.0	1.0
		STRANDED	1-WIRE	1.5	1.5	2.5	2.5
			2-WIRE	0.75	0.75	1.5	1.5
OPENING CONTACT HOUSING(mm ²)		2.8x1.7	2.8x1.7	2.6x3.3	2.6x3.3		
WIRE STRIP LENGTH(mm)		6~7	6~7	6~7	6~7		
TORQUE +/-10% (N-m/Lb-in)		0.19/1.7	0.19/1.7	0.4/3.5	0.4/3.5		
WITHSTANDING VOLTAGE (kV)		SCREW	M2x0.4	M2x0.4	M3x0.5	M3x0.5	
		cULus	1.6	1.6	1.6	1.6	
		VDE	2.5	2.5	NA	NA	
OPERATING TEMP. (°C)		-40~+115	-40~+115	-40~+115	-40~+115		
POLES AVAILABLE		02~24	02~24	02~24	02~24		
SAFETY CERTIFICATE							

SCREW CODE

CODE	SCREW TYPE	AVAILABILITY
A	-/+	ON REQUEST ONLY
B	-	STANDARD

ALL FLANGE SCREWS ARE ONLY AVAILABLE IN +/- COMBINATION SCREW TYPES.

HOUSING CODE

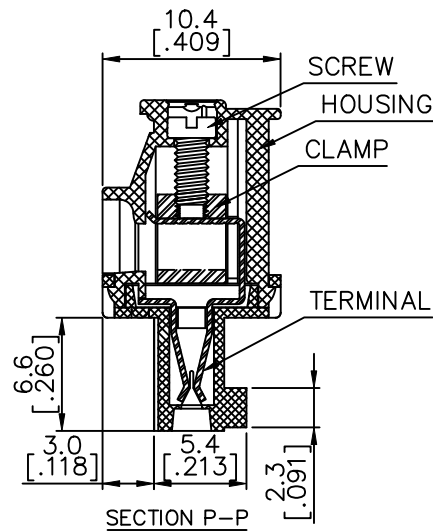
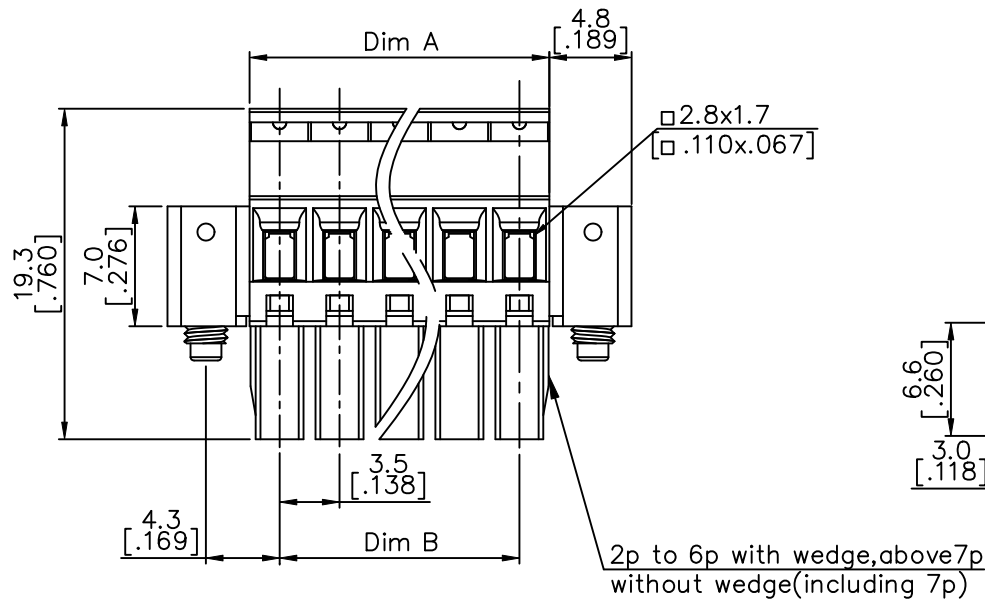
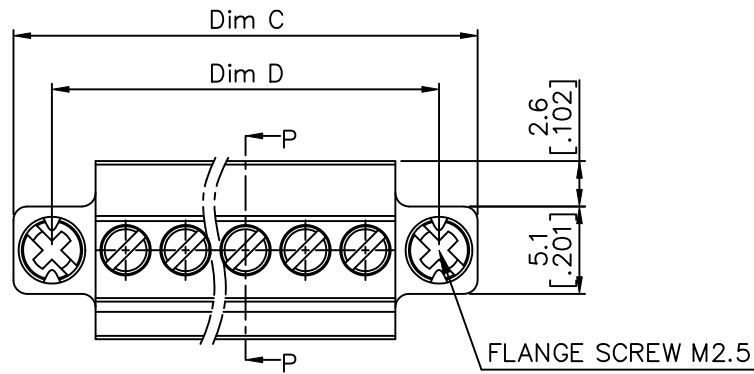
CODE	COLOR	AVAILABILITY
1	GREEN(RAL 6018/T)	STANDARD
2	BLACK	ON REQUEST ONLY
3	GREY(RAL 7004/P)	ON REQUEST ONLY
4	BLUE(RAL 5015/A)	ON REQUEST ONLY

NOTES:

- MATERIALS
1-1 HOUSING: THERMALPLASTIC RESIN, UL 94V-0 RATED.
1-2 SCREW: STEEL, ZINC PLATED.
1-3 CLAMP: COPPER ALLOY, NICKEL PLATED.
1-4 TERMINAL: COPPER ALLOY, TIN PLATED.
- PRODUCT SPECIFICATION REFER TO FCI GS-12-625.
- PRODUCT PACKING SPECIFICATION REFER TO FCI GS-14-1394.
- FCI, SAFETY CERTIFICATE LOGO AND SERIES NAME TO BE SHOWN ON PRODUCT SURFACE.
- THE PRODUCTS WHERE THE PART NUMBER END IN "LF" MEET THE EUROPEAN UNION DIRECTIVE AND OTHER COUNTRY REGULATIONS AS DESCRIBED IN GS-22-008.

mat'l. code		surface	tolerance	projection	product family
		ASME Y14.5	ASME Y14.5		TERMINAL BLOCK
ltr	ecn no	dr	date	tolerances unless otherwise specified	title
A	T10-0082	WL	080510	angles to line X.±0.5	TERMINAL BLOCK
B	T10-0140	WL	090310	X.X±0.3	PLUGGABLE PLUG, BACK SIDE HOOK, W/FLANGE
C	T10-0158	WL	100410	X'±1"	X.XX±0.1
D	T11-0013	WL	040811	dr	WENDY CHEN 051810
E	T-005908	WL	091311	enr	JASON HSU 051810
				chr	GARY HSIEH 051810
				appd	JOSEPH HSIA 051810
sheet index	revision	E	E	E	E
	sheet	1	2	3	4
					scale
					MM
					[INCH]
					type
					CUSTOMER Drawing
					sheet 1 of 5
					size
					A4
					dwg no
					20020011

PRODUCT NUMBER	SERIES NAME	PITCH
20020011-CXXXXXXLF	02-350	3.50 mm



N = Number of poles

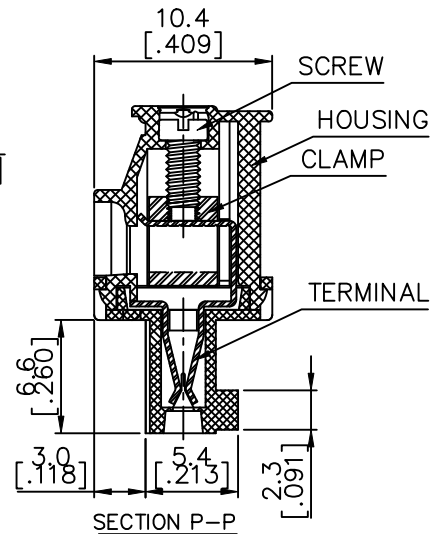
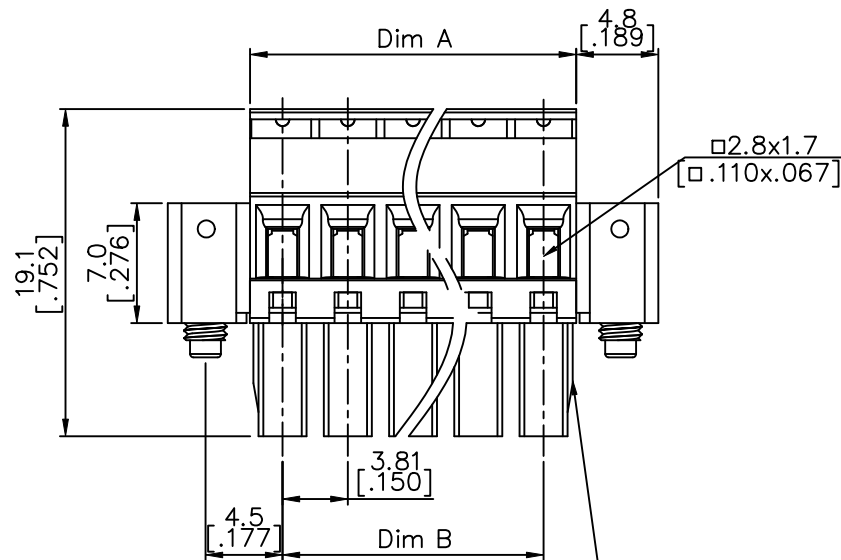
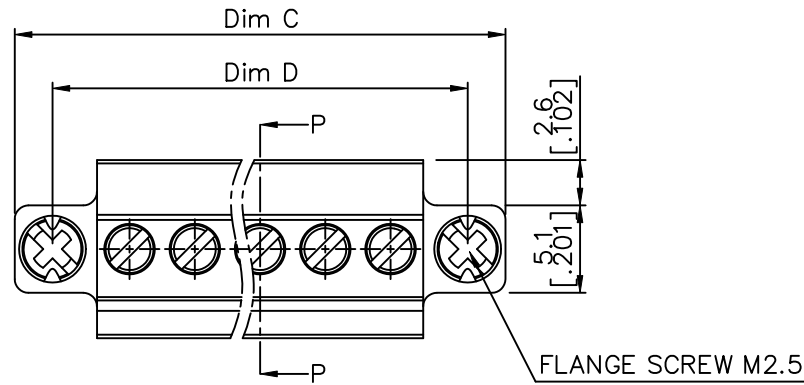
Dim A	$N \times 3.5 [.138]$
Dim B	$(N-1) \times 3.5 [.138]$
Dim C	$N \times 3.5 [.138] + 9.6 [.378]$
Dim D	$(N-1) \times 3.5 [.138] + 8.6 [.339]$

poles	Tolerance
2-4p	$\pm 0.10 [.004]$
5-7p	$\pm 0.15 [.006]$
8-12p	$\pm 0.20 [.008]$
13-18p	$\pm 0.25 [.010]$
19-24p	$\pm 0.30 [.012]$

mat'l. code	surface ASME Y14.5 ✓	tolerance ASME Y14.5	projection 	product family TERMINAL BLOCK
ltr	ecn no	dr	date	title TERMINAL BLOCK PLUGGABLE PLUG, BACK SIDE HOOK, W/FLANGE
E				MM INCH
	angles	tolerance	scale	dwg no
	X°±1'	X.X±0.3		sheet 2 of 5 size
		X.XX±0.1		20020011
	dr	WENDY CHEN	051810	A4
	enr	JASON HSU	051810	type
	chr	GARY HSIEH	051810	CUSTOMER Drawing
	appd	JOSEPH HSIA	051810	
sheet index	revision sheet			



PRODUCT NUMBER	SERIES NAME	PITCH
20020011-DXXXXXXLF	02-381	3.81 mm



N = Number of poles

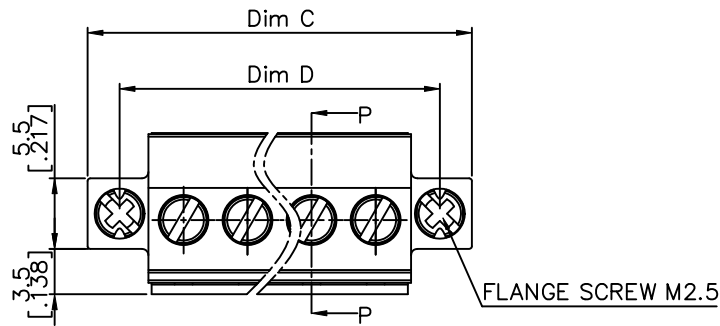
Dim A	$N \times 3.81 [.150]$
Dim B	$(N-1) \times 3.81 [.150]$
Dim C	$N \times 3.81 [.150] + 9.6 [.378]$
Dim D	$(N-1) \times 3.81 [.150] + 9.0 [.354]$

poles	Tolerance
2-6P	$\pm 0.15 [.006]$
7-12p	$\pm 0.20 [.008]$
13-17p	$\pm 0.25 [.010]$
18-24p	$\pm 0.30 [.012]$

2p to 6p with wedge, above 7p without wedge (including 7p)

mat'l. code	surface ASME Y14.5	tolerance ASME Y14.5	projection MM INCH	product family TERMINAL BLOCK
ltr	ecn no	dr	date	title TERMINAL BLOCK PLUGGABLE PLUG, BACK SIDE HOOK, W/FLANGE
E				sheet 3 of 5 size
				20020011 A4
				type CUSTOMER Drawing
sheet index	revision sheet			

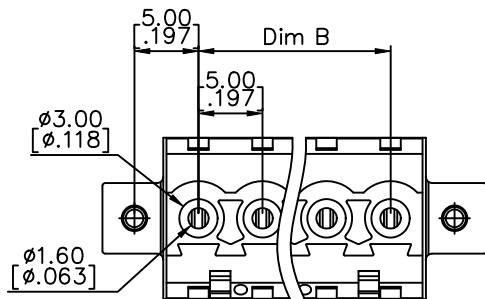
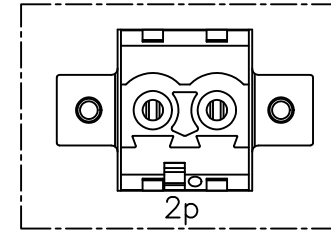
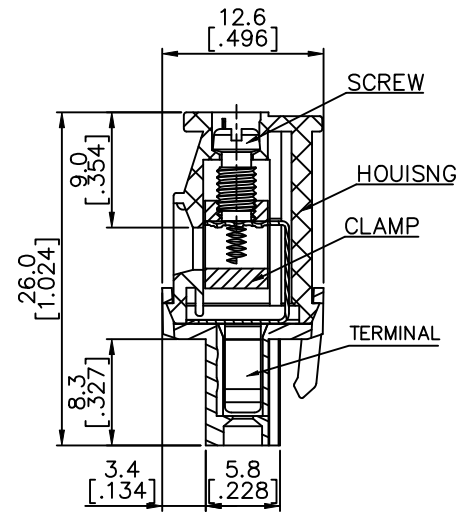
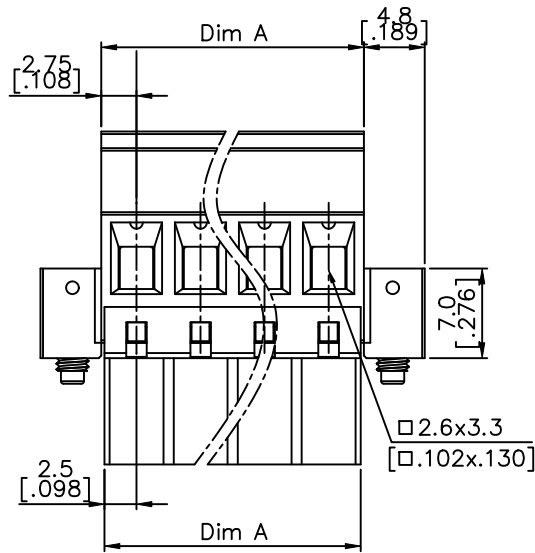
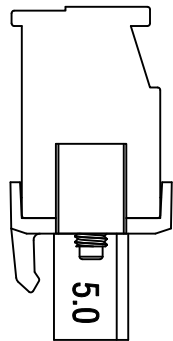
PRODUCT NUMBER	SERIES NAME	PITCH
20020011-GXXXXXXLF	02-500	5.00 mm



N = Number of poles

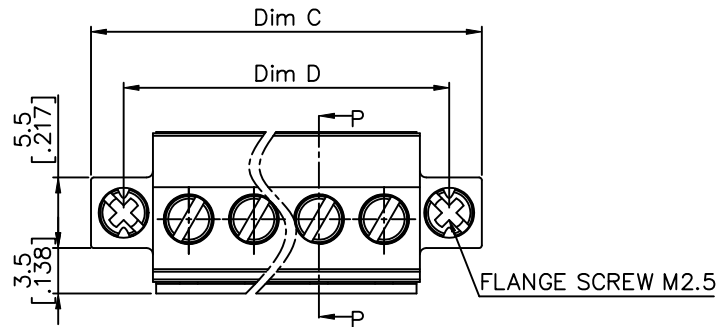
Dim A	$N \times 5.0 [.197] + 0.5 [.020]$
Dim B	$(N-1) \times 5.0 [.197]$
Dim C	$N \times 5.0 [.197] + 10.0 [.394]$
Dim D	$(N+1) \times 5.0 [.197]$

poles	Tolerance
2-6p	$\pm 0.15 [.006]$
7-12p	$\pm 0.20 [.008]$
13-18p	$\pm 0.30 [.012]$
19-24p	$\pm 0.40 [.016]$



mat'l. code	surface ASME Y14.5	tolerance ASME Y14.5	projection	product family TERMINAL BLOCK
ltr	ecn no	dr	date	title
E				TERMINAL BLOCK PLUGGABLE PLUG, BACK SIDE HOOK, W/FLANGE
	angles	metal	scale	sheet 4 of 5 size
	$X \pm 1$	$X.X \pm 0.3$	MM [INCH]	dwg no
		$X.XX \pm 0.1$		20020011
	dr	WENDY CHEN	051810	A4
	enr	JASON HSU	051810	
	chr	GARY HSIEH	051810	
	appd	JOSEPH HSIA	051810	
sheet index	revision sheet			type CUSTOMER Drawing

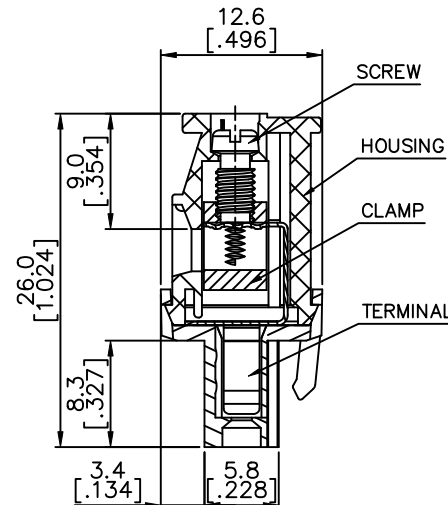
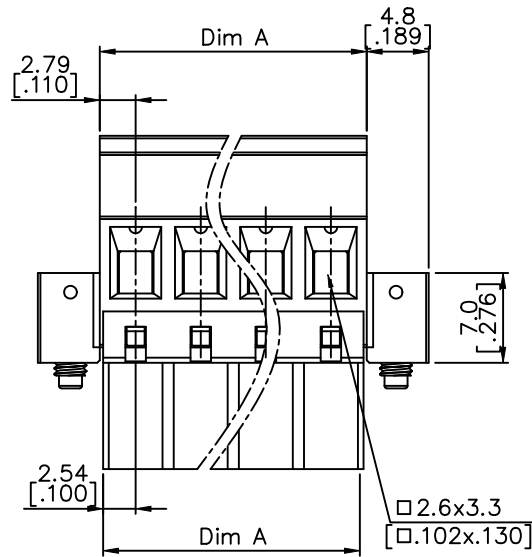
PRODUCT NUMBER	SERIES NAME	PITCH
20020011-HXXXXXLF	02-508	5.08 mm



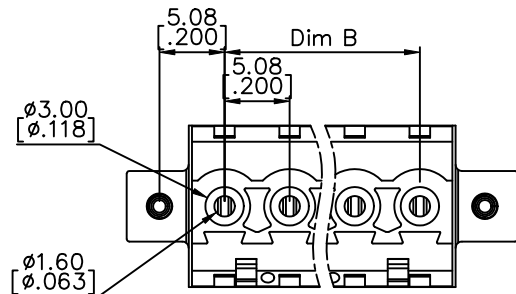
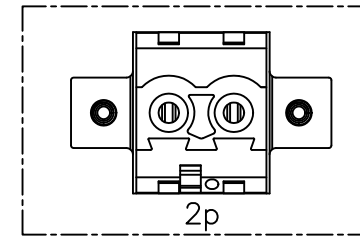
N = Number of poles

Dim A	$N \times 5.08 [0.200] + 0.5 [0.020]$
Dim B	$(N-1) \times 5.08 [0.200]$
Dim C	$N \times 5.08 [0.200] + 9.66 [0.380]$
Dim D	$(N+1) \times 5.08 [0.200]$

poles	Tolerance
2-6p	$\pm 0.15 [0.006]$
7-12p	$\pm 0.20 [0.008]$
13-18p	$\pm 0.30 [0.012]$
19-24p	$\pm 0.40 [0.016]$



SECTION P-P



mat'l. code	surface ASME Y14.5	tolerance ASME Y14.5	projection 	product family TERMINAL BLOCK
ltr	ecn no	dr	date	title TERMINAL BLOCK PLUGGABLE PLUG, BACK SIDE HOOK, W/FLANGE
E				scale MM [INCH]
				sheet 5 of 5 size
		dr	WENDY CHEN 051810	dwg no 20020011
		enr	JASON HSU 051810	A4
		chr	GARY HSIEH 051810	type CUSTOMER Drawing
		appd	JOSEPH HSIA 051810	
sheet index	revision sheet			