

REFERENCE SPECIFICATIONS

-NFC 93425 (in compliance with HE 507)

PHYSICAL CHARACTERISTICS

- INSULATOR MATERIAL: THERMOPLASTIC ,UL94V0
- CONTACT MATERIAL: BRASS
- ACCESSORIES: BRASS
- SHELLS: STEEL

ELECTRICAL CHARACTERISTICS

- NOMINAL CURRENT: 30A or 40A
- CONTACT RESISTANCE: <= 7.3 mOhms
- CONTACT/CONTACT : >=1000 V
- CONTACT/GROUND : >=1200 V
- INSULATION RESISTANCE: >=5000 MOhms

ENVIRONMENTAL CHARACTERISTICS

- CLIMATIC CATEGORY: 55/125/21
- TEMPERATURE RANGE -55°C TO +125°C
- DAMP HEAT STEADY STATE 21 DAYS
- SALT SPRAY 24 HOURS

MECHANICAL CHARACTERISTICS

- RETENTION AGAINST TORQUE: - Threaded insert: 0.7 N.m minimum
- Female screw : 0.5 N.m minimum

NOTE RoHS INFORMATION

- The "LF" products meet european union Directives and other country regulations as described in GS-22-008.
- The housing will withstand exposure to 260°C peak temperature for 3.5 seconds in a wave solder application with a 1.6mm minimum thick circuit board. See application notes/procedures if they are available.
- Termination plating spec:
 - Ni 1.27µm+Sn 2.5 to 7.5µm(pure bright)
- Active area plating spec:
 - Ni + Gold
- Shell plating :2 to 4µm Cu + Ni + 3 to 10µmm Sn(pure bright)
- Accessories: Sn pure bright + nickel
- Packaging spec: See GS-14-920

DBL5W5S500G30LF

Series

Shell size: **E A B C**
(see sheet 3)

Front accessory definition
(see sheet 2)

- blank**: without accessory
- L** : threaded insert M3
- O** : threaded insert UNC 4-40
- V** : female screw UNC 4-40
- I** : female screw M3

Layout of contacts (see sheet 3)

Contacts

- S** : Socket

Termination type

- 5** Right angle/Europe standard

Plating

- 00** 200 matings/unmatings
- 43** 500 matings/unmatings

PCB accessories definition(see sheet 2)

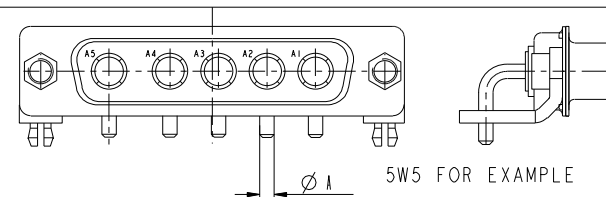
- A** : without accessory
- H** : Metal brackets+harpoons for PCB 2.40mm
- G** : Metal brackets+harpoons for PCB 1.60mm
- M** : Metal brackets

Power contacts

- 00** :Not fitted with power contact (signal contacts always fitted)
- 30** :Fitted with power contacts 30 Amp.
- 40** :Fitted with power contacts 40 Amp.

TABLE 1:PCB HOLE DIAMETERS

POWER CONTACTS		ACCESSORIES	
30 A	2.00	Ø2.40	Ø3.10
40 A	2.80	Ø3.10	
Max current power	ØA ^{+0.1} ₀	PCB HOLE +/-0.1	PCB HOLE +/-0.1



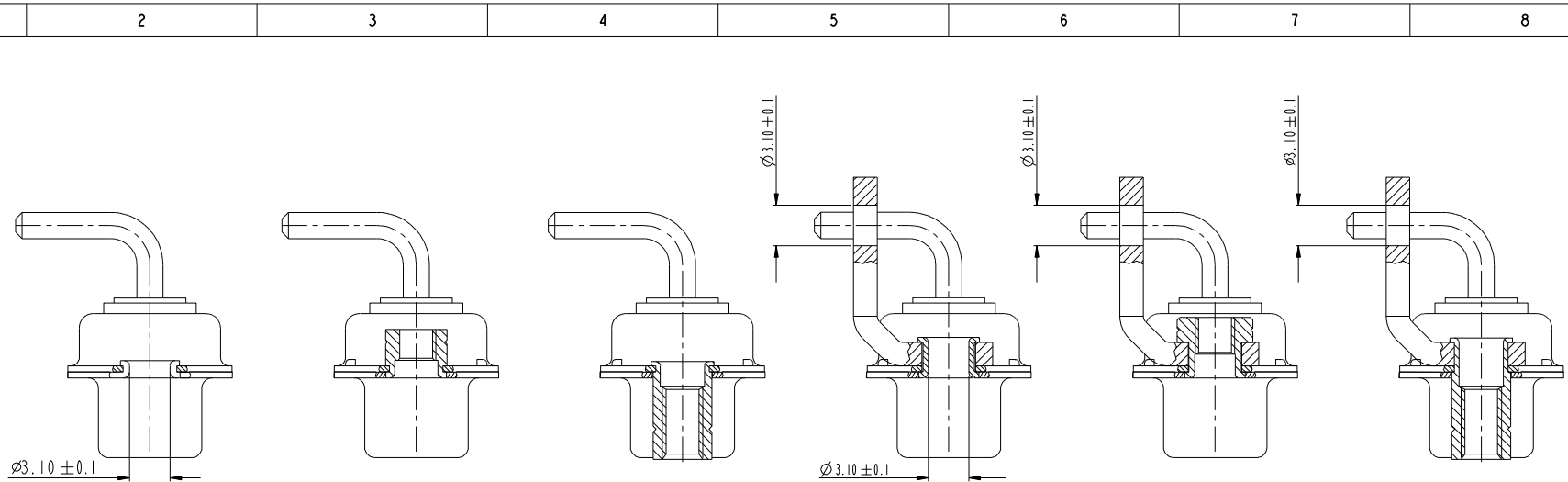
www.fciconnect.com		surface	tolerance std	projection	mm
		ISO 1302	ISO 406 ISO 1101		
TOLERANCES UNLESS OTHERWISE SPECIFIED					
Dr	M PESSON	2005-10-11	ANGULAR	size	Scale
Eng	P LEGARE	2005-10-11	LINEAR	A2	2:1
Chr			0° ±2°	ECN	F09-0092
Appr			Product family	Spec ref	

rev	ecn no	dr	date	Dr	date	Eng	date	Chr	date	Appr	date	Product family	Spec ref
A	LS05-0113	WPE	2005-10-11										
B	LS06-0208	LGO	2006-12-13										
C	LS07-0273	WPE	2007/10/31										
D	F09-0063	LSA	2009-07-15										
E	F09-0092	LSA	2009/09/16										

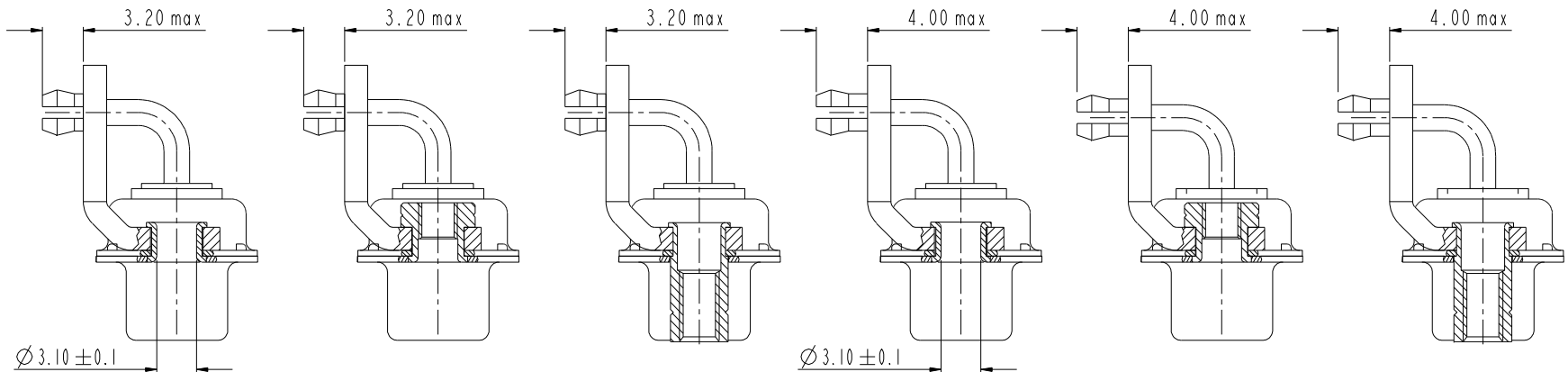


SUB FEMALE DW EUROPE foot print
full power right angled solder

Part no C01-8639-2308
Sheet 1 of 4



FRONT ACCESSORY	Blank Without	L insert M3 O insert UNC 4.40	V Female screw UNC 4.40 I Female screw M3	Blank Without	L insert M3 O insert UNC 4.40	V Female screw UNC 4.40 I Female screw M3
PCB ACCESSORIES	A Without	A Without	A Without	M Metal brackets	M Metal brackets	M Metal bracket



FRONT ACCESSORY	Blank Without	L insert M3 O insert UNC 4.40	V Female screw UNC 4.40 I Female screw M3	Blank Without	L insert M3 O insert UNC 4.40	V Female screw UNC 4.40 I Female screw M3
PCB ACCESSORIES	G Metal brackets + harpoons for PCB 1.60mm	G Metal brackets + harpoons for PCB 1.60mm	G Metal brackets + harpoons for PCB 1.60mm	H Metal brackets + harpoons for PCB 2.40mm	H Metal brackets + harpoons for PCB 2.40mm	H Metal brackets + harpoons for PCB 2.40mm

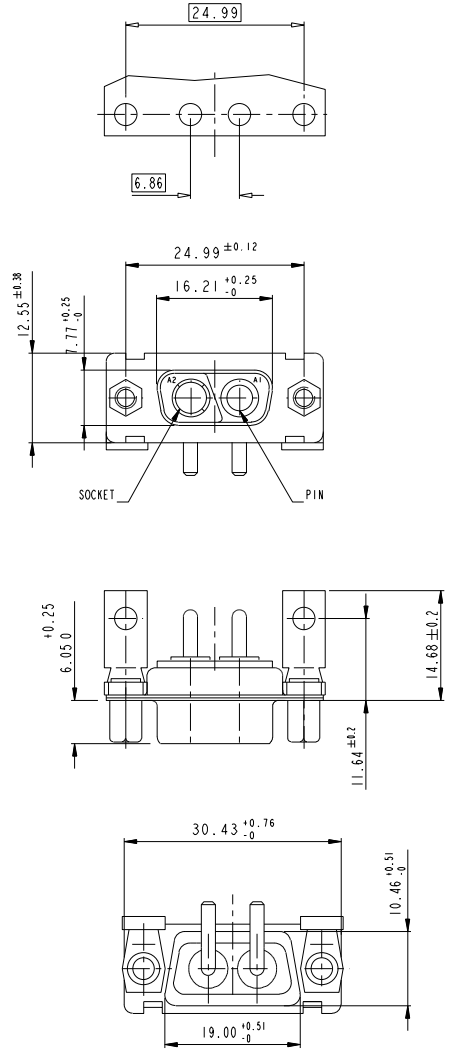
www.fciconnect.com		surface ISO 1302	tolerance std ISO 406 ISO 1101	projection	mm
TOLERANCES UNLESS OTHERWISE SPECIFIED					
Dr	M PESSON	2005-10-11	ANGULAR	size	Scale
Eng	P LEGARE	2005-10-11	LINEAR	A2	2:1
Chr			0° ±2°	ECN	F09-0092
Appr			Product family	Spec ref	

FCI	TITLE	SUB FEMALE DW EUROPE foot print full power right angled solder	Part no	C01-8639-2308	Rev.	E
-----	-------	---	---------	---------------	------	---

2V2

LAYOUT AND CONNECTOR DIMENSIONS

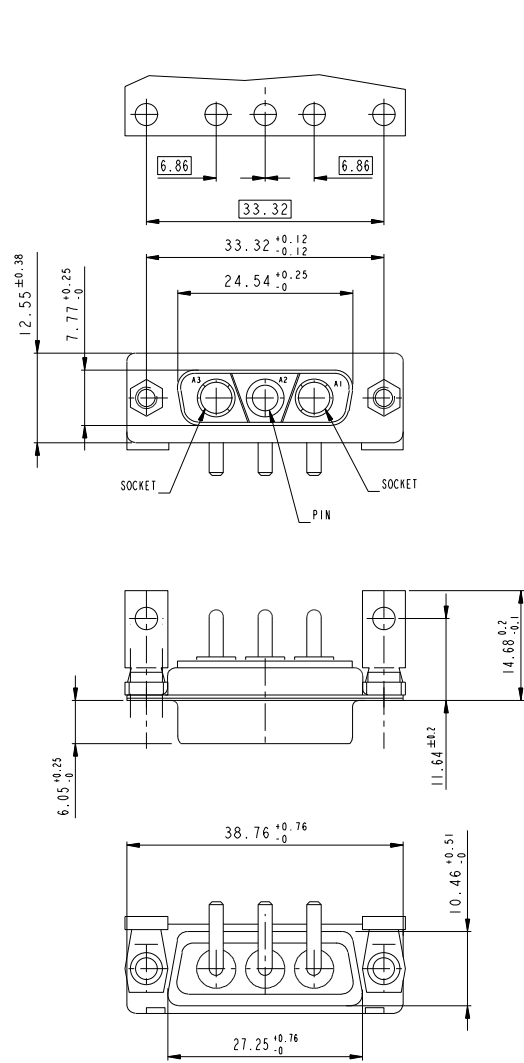
For PCB hole diameters see table I sheet 1



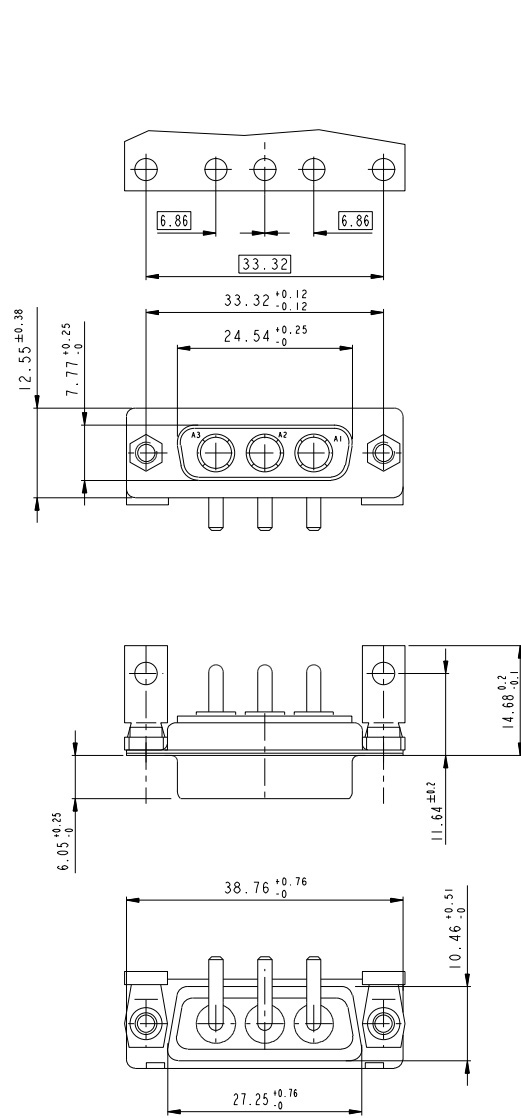
3V3

LAYOUT AND CONNECTOR DIMENSIONS

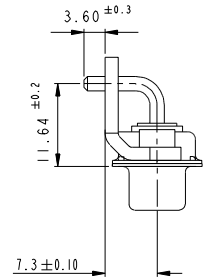
For PCB hole diameters see table I sheet 1



3W3



SIDE VIEW FOR ALL LAYOUTS



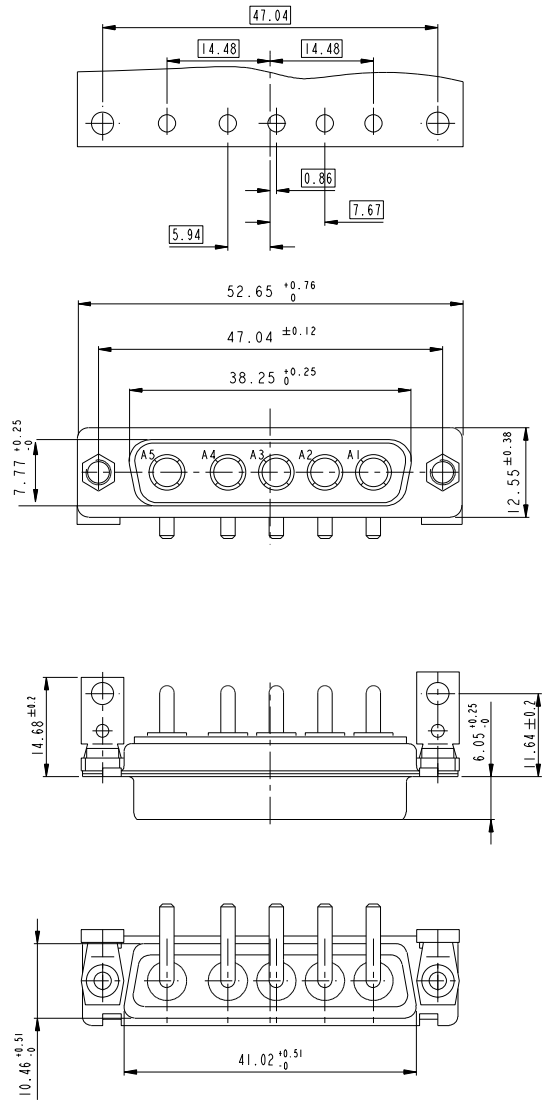
www.fciconnect.com		surface ISO 1302	tolerance std ISO 406 ISO 1101	projection mm
		TOLERANCES UNLESS OTHERWISE SPECIFIED		
Dr	M PESSON	2005-10-11	ANGULAR	size A2
Eng	P LEGARE	2005-10-11	LINEAR	Scale 2:1
Chr			0° ±2°	ECN F09-0092
Appr			Product family	Spec ref

FCI	TITLE	SUB FEMALE DW EUROPE foot print	ang no	C01-8639-2308	Rev.	E
		full power right angled solder				

5W5

LAYOUT AND CONNECTOR DIMENSIONS

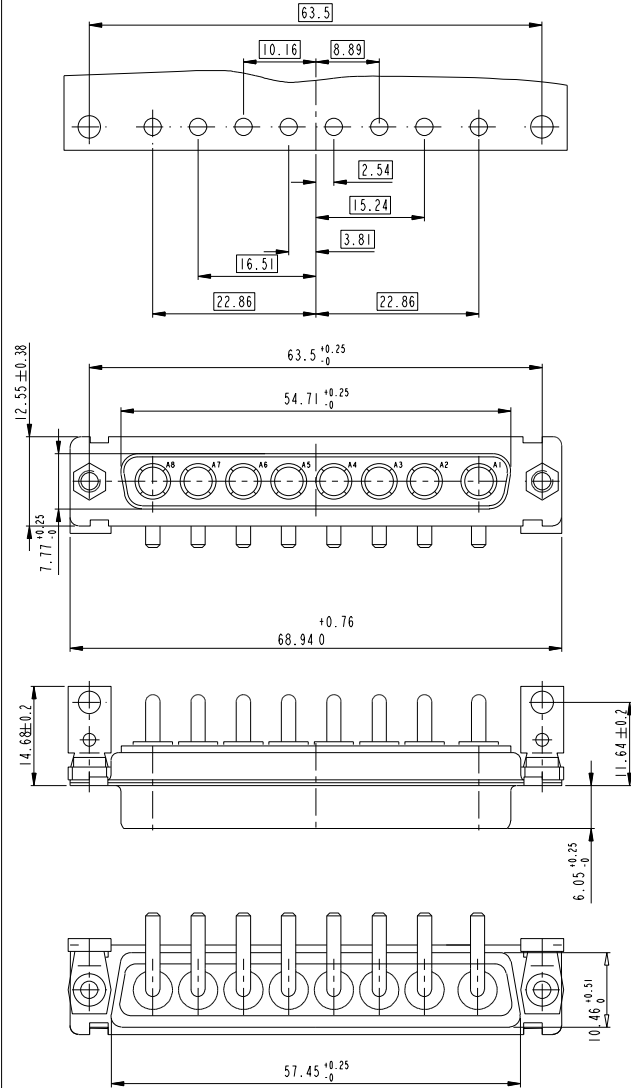
For PCB hole diameters see table I sheet 1



8W8

LAYOUT AND CONNECTOR DIMENSIONS

For PCB hole diameters see table I sheet 1



www.fciconnect.com		surface ISO 1302	tolerance std ISO 406 ISO 1101	projection mm
TOLERANCES UNLESS OTHERWISE SPECIFIED				
Dr	M PESSON	2005-10-11	ANGULAR	size A2
Eng	P LEGARE	2005-10-11	LINEAR	Scale 2:1
Chr			0° ±2°	ECN F09-0092
Appr			Product family	Spec ref

FCI	TITLE SUB FEMALE DW EUROPE foot print full power right angled solder	part no C01-8639-2308	Rev. E
------------	--	--------------------------	-----------