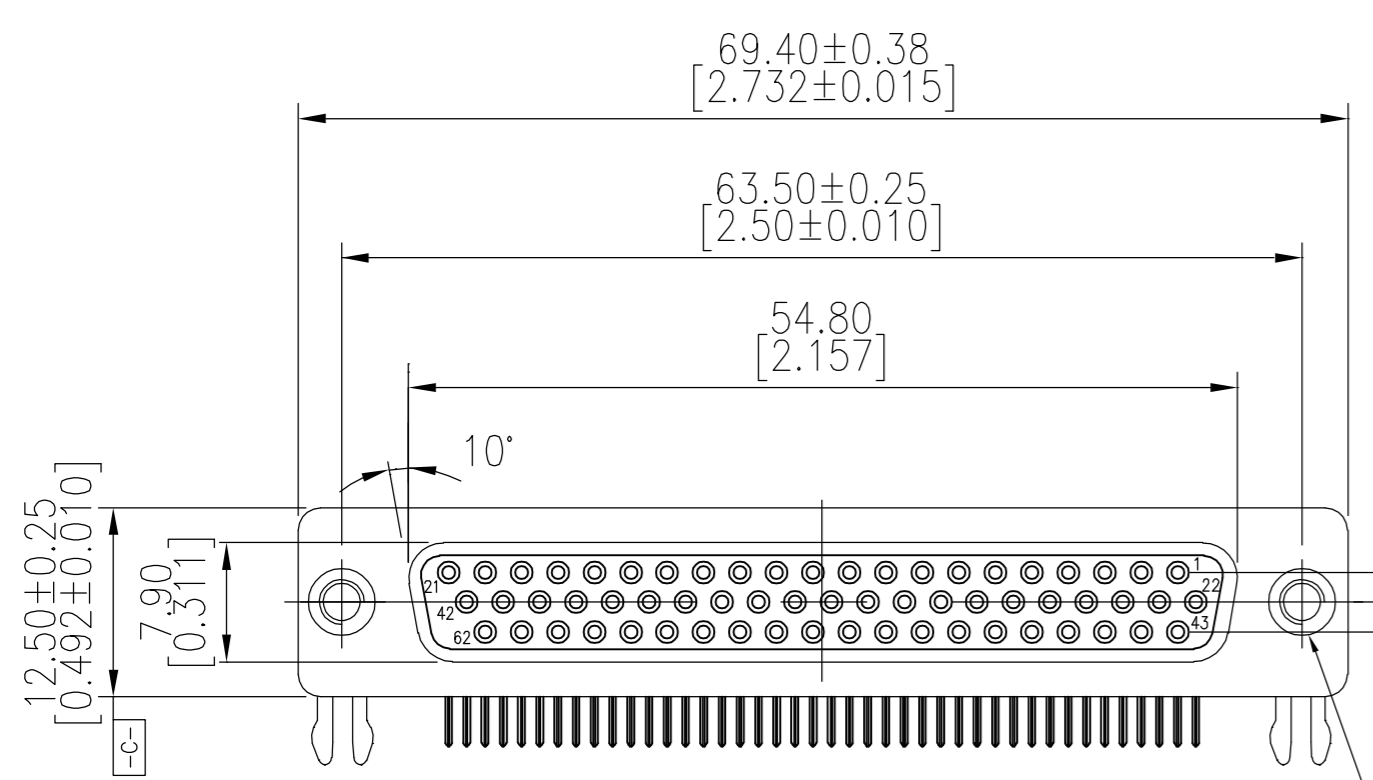
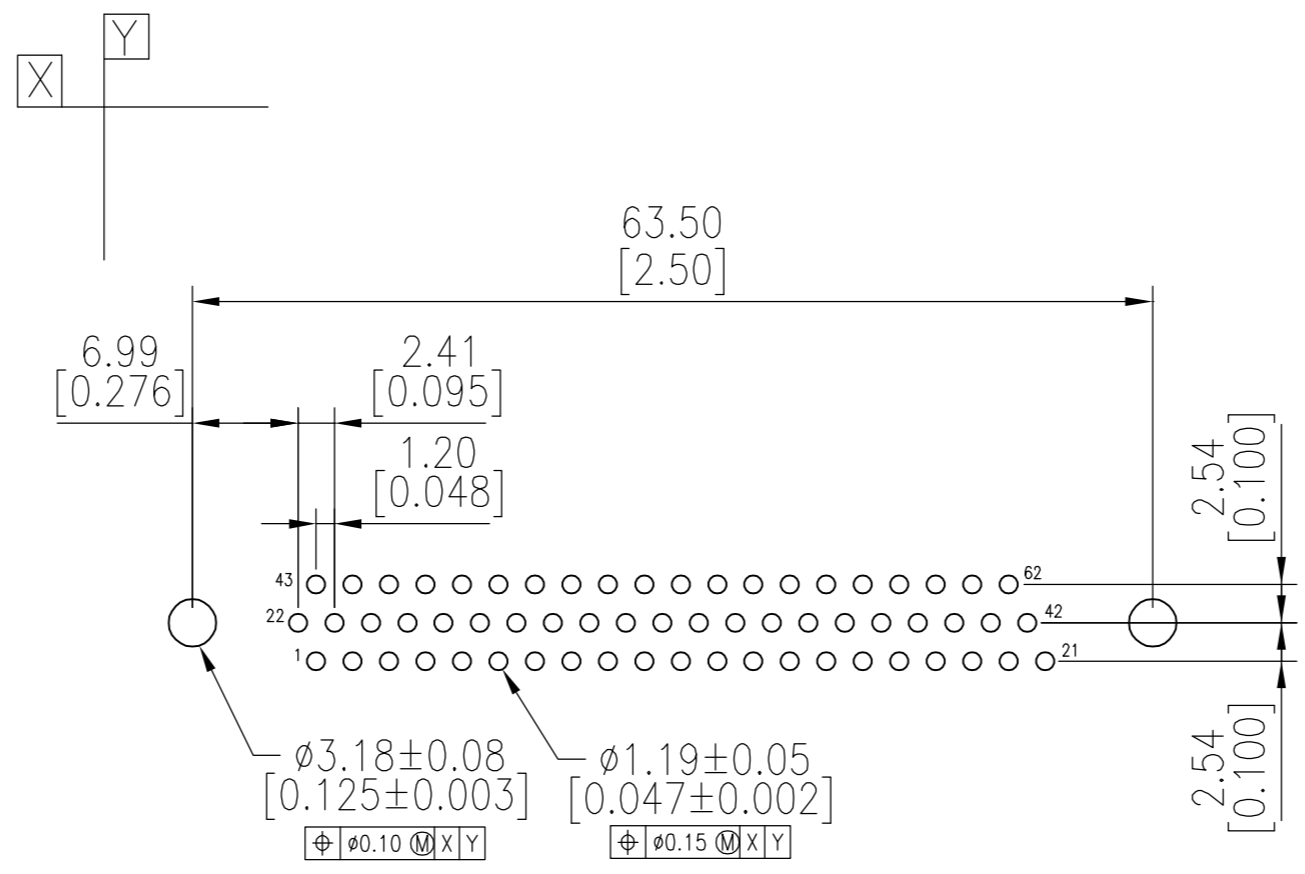
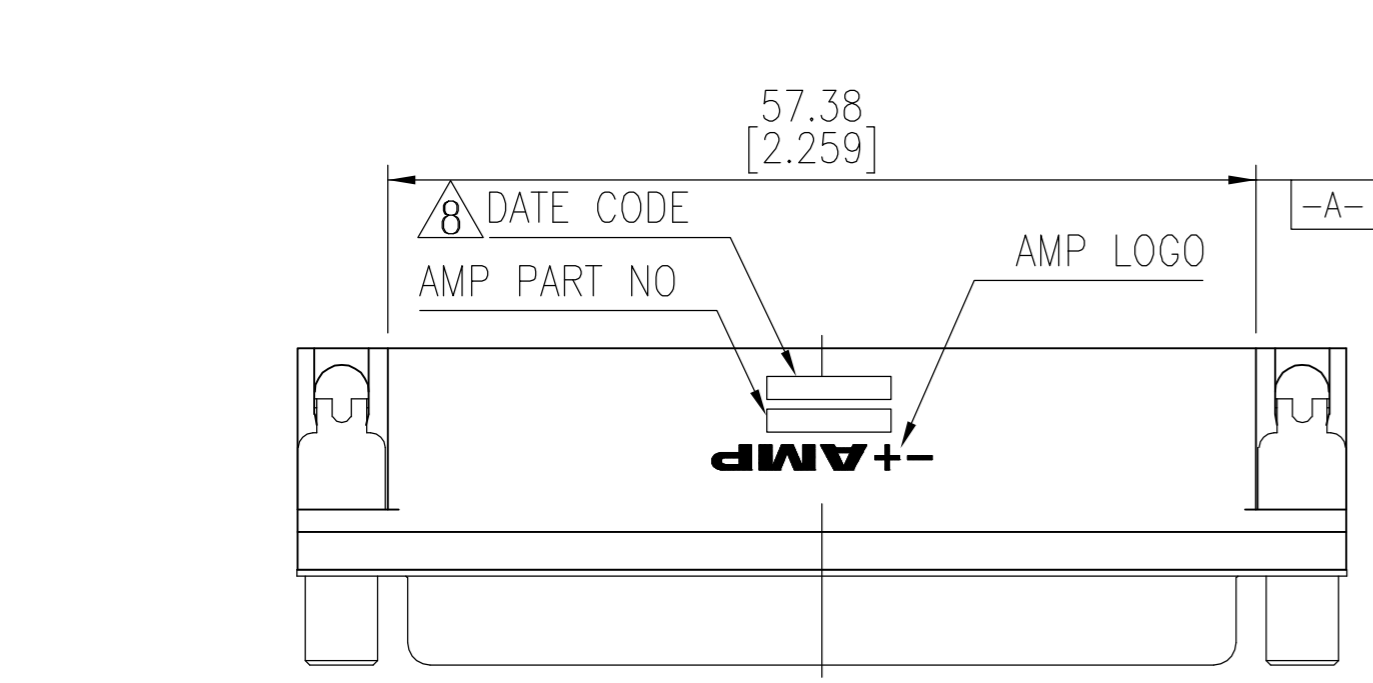
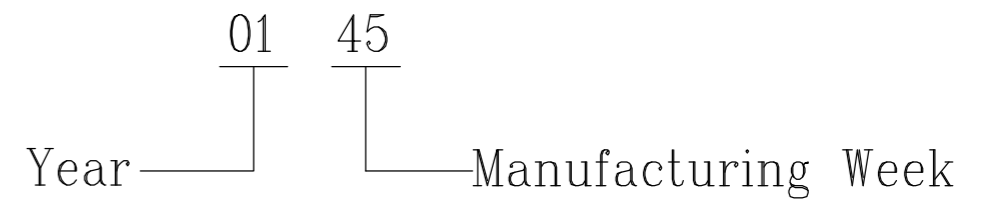


THIS DRAWING IS UNPUBLISHED. RELEASED FOR PUBLICATION
 © COPYRIGHT BY TYCO ELECTRONICS CORPORATION. ALL RIGHTS RESERVED.

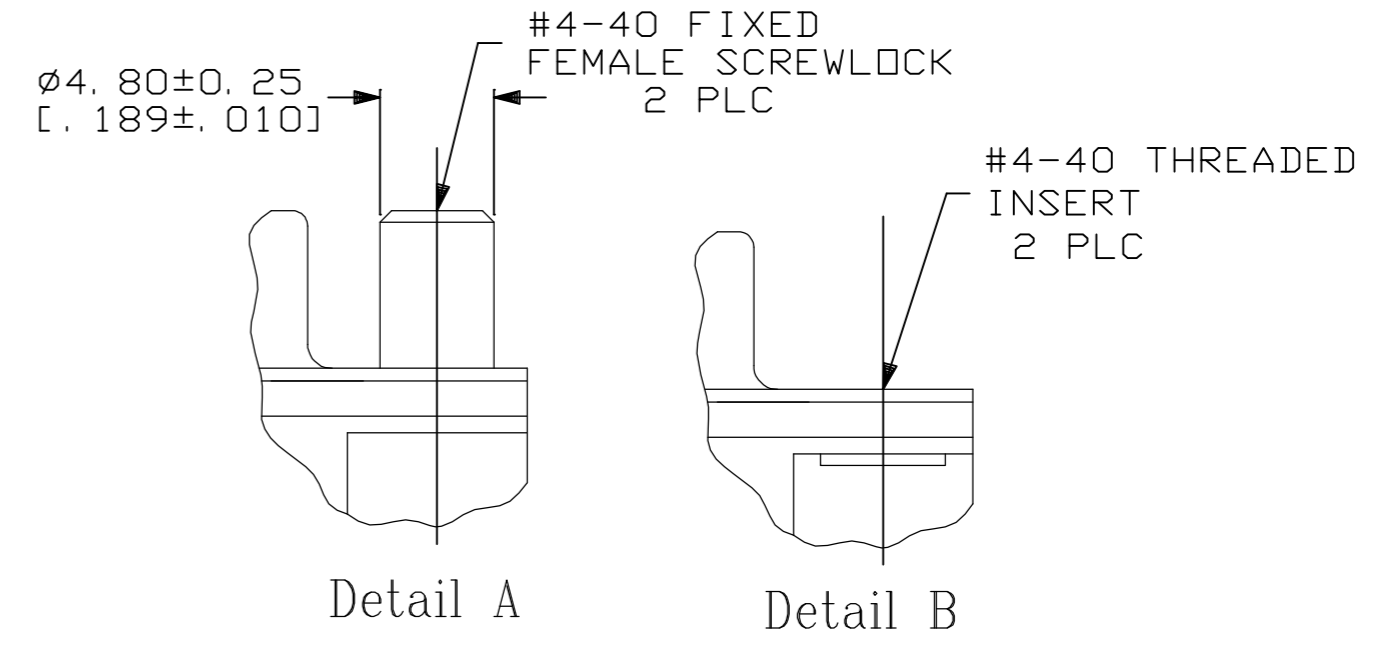
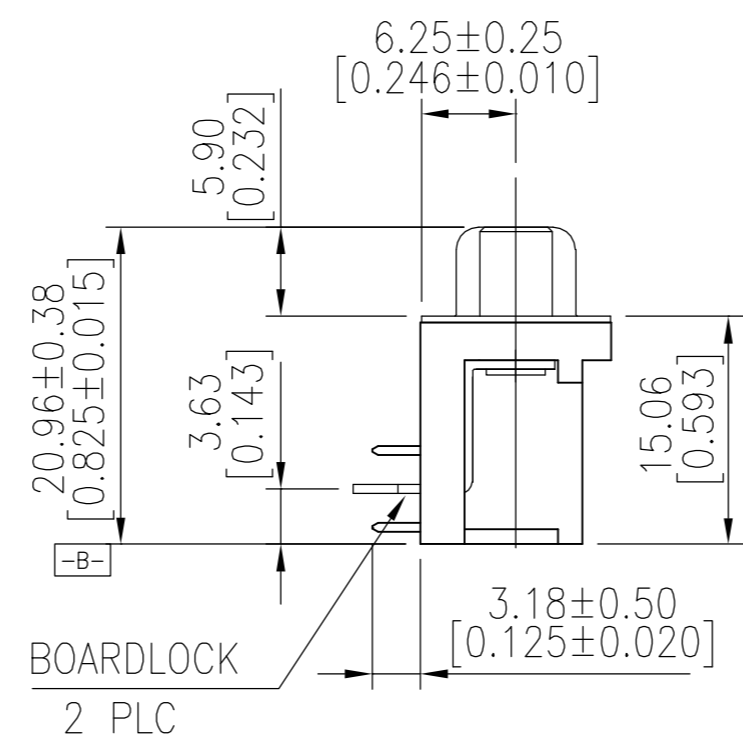
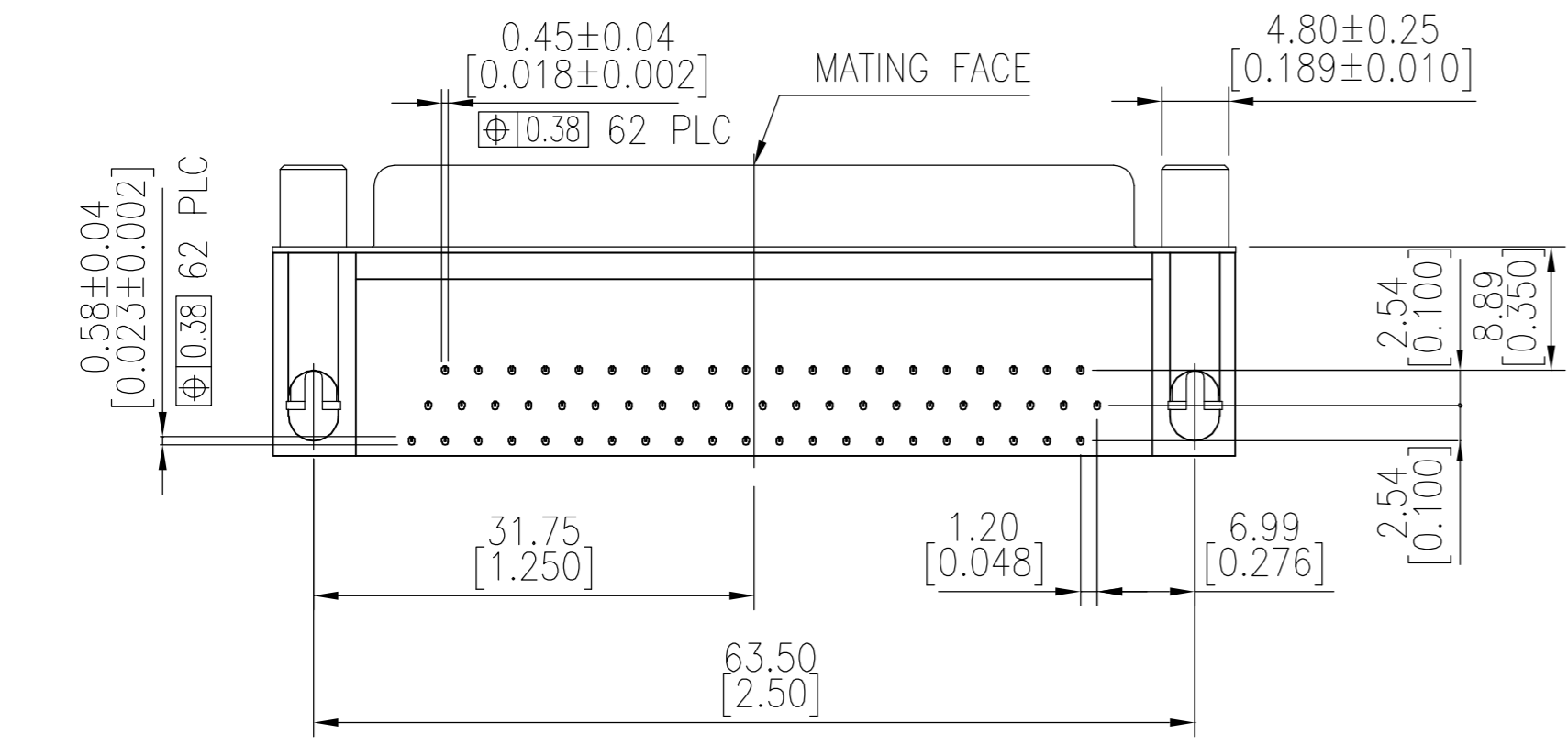
LOC		DIST		REVISIONS			
P	LTR	DESCRIPTION	DATE	DWN	APVD		
GP	0						
	AF	REVISED PER ECO-06-024563	20OCT06	JDP	SLB		

MATERIAL:

- Housing: PBT , 30 % G.F polyester, Black.
(UL 94V-0 Rated)
 - Contact: Phos. Bronze.
 - Contact Plated: Gold Plated over 50u"
Nickel underplated.
 - Solder Tail: Sn/Pb Plated 120u" over 50u"
Nickel underplated.
 - Shell: Steel, Nickel Plated.
 - Boardlock: Brass, Tin or Sn/Pb Plated 100u"
 - Female Screwlock: Brass, Nickel plated 30u" Min
- ⏏ Four digit date code in this format.



SEE TABLE FOR MOUNTING FLANGE CONFIGURATION



Tray	Detail A	Gold flash	2-748394-6
Tray	Detail A	15 μ"	2-748394-5
Tray	Detail B	Gold flash	2-748394-4
Tray	Detail B	15 μ"	2-748394-3
Tray	Detail A	30 μ"	748394-6
Tray	Detail B	30 μ"	748394-5
Packaging	Mounting Flange	Contact Finish	AMP Part NO.

748394-6, 2--5, & 2--6 SHOWN

DIMENSIONS:		TOLERANCES UNLESS OTHERWISE SPECIFIED:		APVD		NAME	
mm	[INCHES]	0 PLC	± -	J.BURWELL	15JULY02	Tyco Electronics Corporation	
		1 PLC	± 0.30	C.CASH	15JULY02	Harrisburg, PA 17105-3608	
		2 PLC	± 0.20	-		AMPLIMITE HD-22	
		3 PLC	± 0.10	-		62 POS RECEPTACLE, RIGHT ANGLE	
		4 PLC	± -	-		SIZE	RESTRICTED TO
		ANGLES	± 2°	-		A2	-
MATERIAL	FINISH	-		WEIGHT	-	CAGE CODE	DRAWING NO
		-		-		00779	C=748394
CUSTOMER DRAWING				SCALE	2:1	SHEET	1 of 1
				REV	AF		