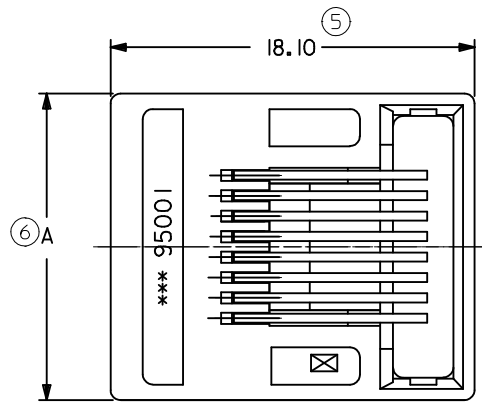
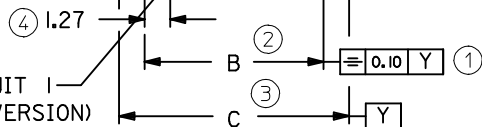


6 & 8 VERSIONS

8 VERSION SHOWN

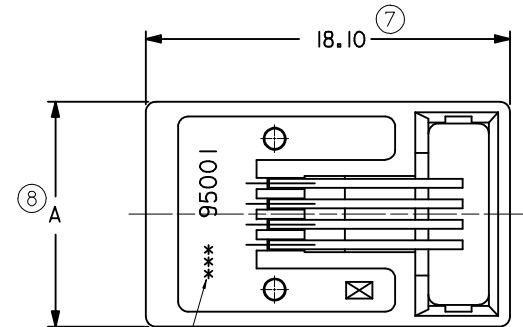
CIRCUIT 1
(8 CKTS VERSION)

CIRCUIT 1
(6 CKTS VERSION)



VIEW Z

4 VERSION ONLY



NOTE 5

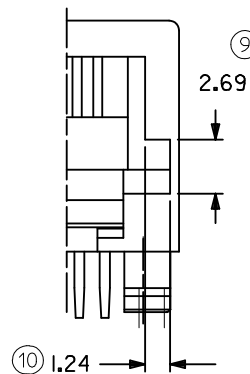
NOTES :

1- MATERIAL:

- HOUSING: LCP GLASS FILLED UL 94V-0, COLOUR BLACK.
- TERMINAL: COPPER ALLOY
- BASE FINISH: NICKEL
- CONTACT SURFACE FINISH:
GOLD
OR
GOLD FLASH OVER PALLADIUM NICKEL.

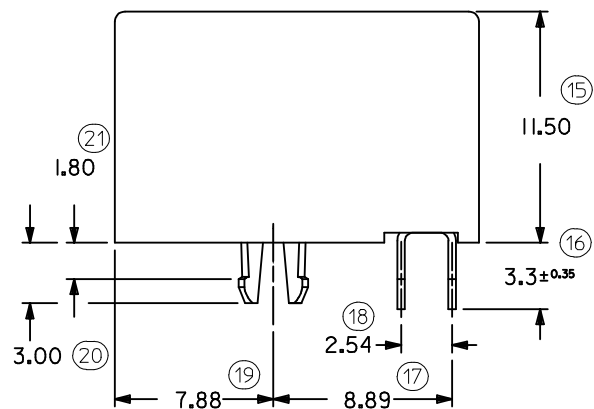
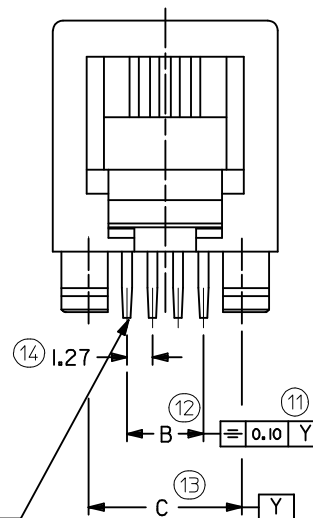
EXCEEDS PRODUCT REQUIREMENTS BASED ON PS-95501

- 2- JACK FOR MATING WITH F.C.C. 68 PLUGS 90075 MOLEX SERIES.
- 3- PRODUCT SPECIFICATION PS-95501.
- 4- PACKAGING SPECIFICATION PK-95001: STANDARD PACKAGING SHEET 1. SPECIAL PACKAGING SHEET 2. TUBE PACKAGING SHEET 3.
- 5- MANUFACTURING I.D. CAN BE EITHER MXF, MG OR MXI.
- 6- RECOMMENDED PCB THICKNESS: 1.57mm
INSPECTION NUMBERS USED: 1 - 50
LAST INSPECTION NUMBER: 21



OPTIONAL
KEYING

CIRCUIT 1
(4 CKTS VERSION)



DIM.	TYPE	POS. 4		POS. 6		POS. 8
		4 CKTS.	4 CKTS.	6 CKTS.	8 CKTS.	8 CKTS.
A		11.18	13.21	13.21	15.24	
C		7.62	10.16	10.16	11.43	
B		3.81	3.81	6.35	8.89	

MODIFIED NOTES.

EC NO: IPG2012-0602

DRW:DBYRNES 2012/03/30

CHKD:MSHAHAN 2012/03/30

APPR:EFOLAN 2012/06/26

QUALITY SYMBOLS

▽ = 0

◻ = 0

GENERAL TOLERANCES (UNLESS SPECIFIED)

	mm	INCH
4 PLACES	± ---	± ---
3 PLACES	± ---	± ---
2 PLACES	± 0.15	± ---
1 PLACE	± 0.25	± ---
ANGULAR ± ---°		

DRAFT WHERE APPLICABLE
MUST REMAIN
WITHIN DIMENSIONS

DIMENSION STYLE
MM ONLY

DRAWN BY: DBYRNES DATE: 2006/08/02

CHECKED BY: EOMAHONY DATE: 2006/08/12

APPROVED BY: EOMAHONY DATE: 2006/08/12

MATERIAL NO. SEE CHART, SHEETS 4 & 5

SCALE: 4:1

DESIGN UNITS: METRIC

THIRD ANGLE PROJECTION

TITLE: R/A LOW PROFILE PC JACK 4,6,8 CKTS SIZE THROUGH HOLE VERSION

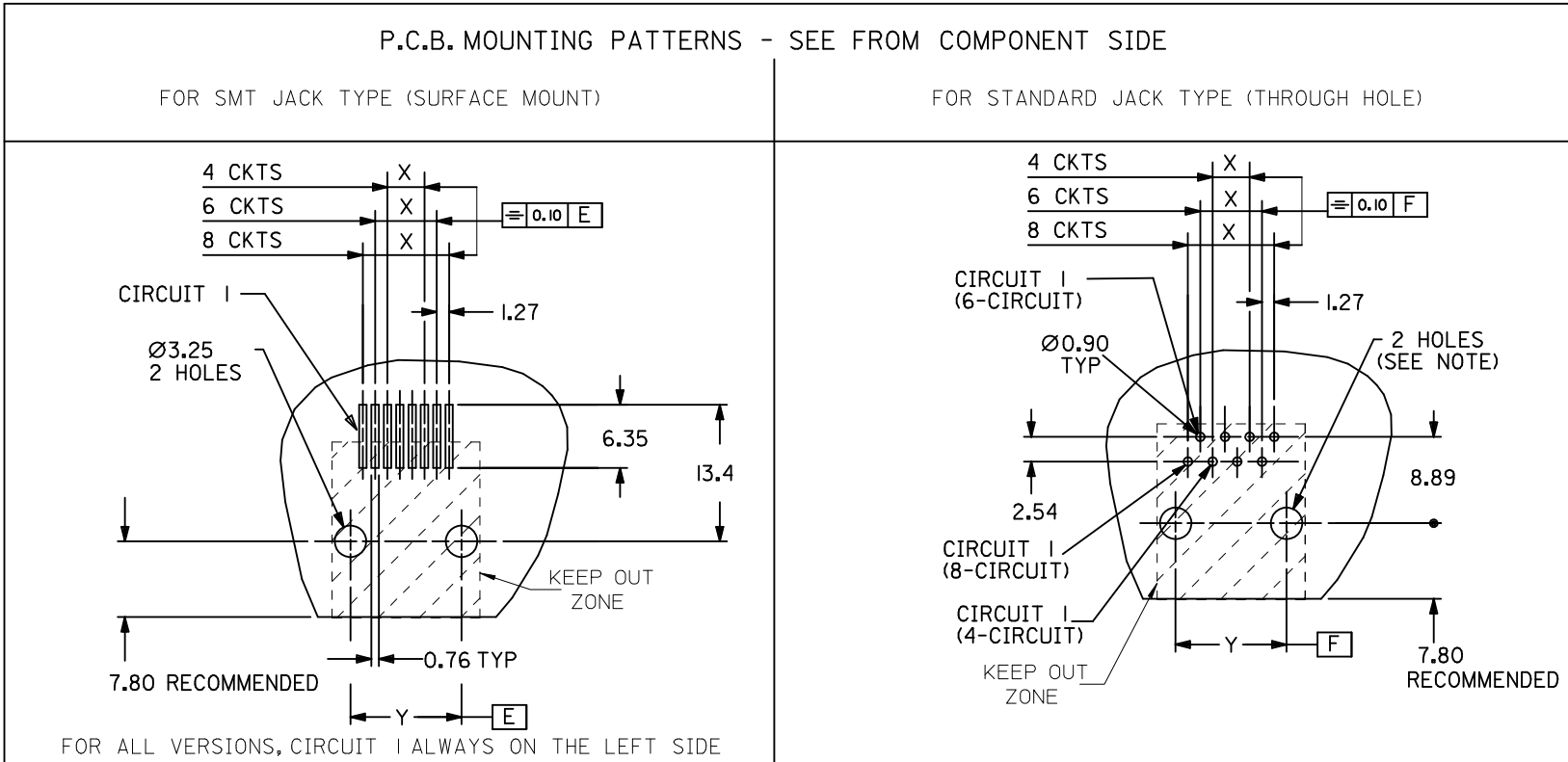
MOLEX MOLEX INCORPORATED

DOCUMENT NO. SD-95501-001

SHEET NO. 1 OF 5

THIS DRAWING CONTAINS INFORMATION THAT IS PROPRIETARY TO MOLEX INCORPORATED AND SHOULD NOT BE USED WITHOUT WRITTEN PERMISSION

TYPE \ DIM.	POS. 4	POS. 6		POS. 8
	4 CKTS.	4 CKTS.	6 CKTS.	8 CKTS.
Y ±0.05	7.62	10.16	10.16	11.43
X ±0.05	3.81	3.81	6.35	8.89



NOTE:
 FOR CONVECTION SOLDERING: DIA 3.25±0.05
 FOR WAVE SOLDERING: DIA 3.20±0.10
 ALL DIMENSIONS REF DIMENSIONS

REMOVED INCHES EC NO: E2012-0079 DRWN: JOCONNOR 2011/02/23 CHKD: APPR: EFOLAN 2011/09/28	QUALITY SYMBOLS	GENERAL TOLERANCES (UNLESS SPECIFIED)	DIMENSION STYLE	SCALE	DESIGN UNITS	THIRD ANGLE PROJECTION
	▽=0 ◻=0	mm INCH 4 PLACES ± --- ± --- 3 PLACES ± --- ± --- 2 PLACES ± 0.15 ± --- 1 PLACE ± 0.25 ± --- ANGULAR ± ---°	MM ONLY	2:1	METRIC	
	DESCRIPTION	DRAWN BY	DATE	TITLE		
		DBYRNES	2006/08/02	R/A LOW PROFILE JACK PC JACK 4,6,8 CKT SIZE SMT AND STANDARD VERSION		
	CHECKED BY	DATE	MOLEX INCORPORATED			
	EOMAHONY	2006/08/12	DOCUMENT NO.			
	APPROVED BY	DATE	SD-95501-001			
	EOMAHONY	2006/08/12	SHEET NO.			
	MATERIAL NO.	SEE CHART SHEETS 4 & 5		3 OF 5		
	SIZE	THIS DRAWING CONTAINS INFORMATION THAT IS PROPRIETARY TO MOLEX INCORPORATED AND SHOULD NOT BE USED WITHOUT WRITTEN PERMISSION				
	A3					

STANDARD PACKAGING OPEN TRAY ,SEE PACKAGING SPEC PK95001 SHEET 1

PART NO FOR JACK ASSEMBLY
THROUGH HOLE VERSION

LCP GLASS FILED 94V0,COLOR BLACK.

HOUSING SIZE	LOADED CONTACTS
4	4
6	4
6	6
8	8

NO KEY	TOOLED	KEY	TOOLED		TOOLED		TOOLED
NOT RIBBED	TOOLED	NOT RIBBED	TOOLED		TOOLED		TOOLED
95501-244	X						
95501-264	X						
95501-266	X						
95501-288	X	95501-2882	X				

REMOVED OPTIONS EC NO: IPG2012-060Z DRW:DBYRNES 2012/03/30 CHKD:MSHAHAN 2012/03/30 APPR:EFOLAN 2012/06/26	QUALITY SYMBOLS	GENERAL TOLERANCES (UNLESS SPECIFIED)	DIMENSION STYLE	SCALE	DESIGN UNITS	THIRD ANGLE PROJECTION
	▼=0 □=0	mm INCH	MM ONLY	---	METRIC	
		4 PLACES ± --- ± --- 3 PLACES ± --- ± --- 2 PLACES ± --- ± --- 1 PLACE ± --- ± --- ANGULAR ± ---°	DRAWN BY: DBYRNES DATE: 2006/08/02 CHECKED BY: EOMAHONY DATE: 2006/08/12 APPROVED BY: EOMAHONY DATE: 2006/08/12	TITLE: LOW PROFILE R/A JACK STANDARD T/HOLE VERSION STANDARD OPEN TRAY VERS MOLEX INCORPORATED		
		DRAFT WHERE APPLICABLE MUST REMAIN WITHIN DIMENSIONS	MATERIAL NO. SEE CHART DOCUMENT NO. SD-95501-001 SHEET NO. 4 OF 5			