

## Fully integrated H-bridge motor driver for automotive applications

Datasheet - production data



- Package: ECOPACK®

### Description

The VNH5200AS-E is a full bridge motor driver intended for a wide range of automotive applications. The device incorporates a dual monolithic high-side driver and two low-side switches.

Both switches are designed using STMicroelectronics' well known and proven proprietary VIPower® M0 technology that allows to efficiently integrate on the same die a true Power MOSFET with an intelligent signal/protection circuitry. The three dies are assembled in SO-16N package on electrically isolated leadframes.

Moreover, its fully symmetrical mechanical design allows superior manufacturability at board level. The input signals  $IN_A$  and  $IN_B$  can directly interface the microcontroller to select the motor direction and the brake condition. The  $DIAG_A/EN_A$  or  $DIAG_B/EN_B$ , when connected to an external pull-up resistor, enables one leg of the bridge. Each  $DIAG_A/EN_A$  provides a feedback digital diagnostic signal as well. The normal operating condition is explained in the truth table. The CS pin allows to monitor the motor current by delivering a current proportional to its value.

### Features

Type	$R_{DS(on)}$	$I_{out}$	$V_{CCmax}$
VNH5200AS-E	200 mΩ typ (per leg)	8 A	41 V

- Automotive qualified
- Output current: 8 A
- 3 V CMOS-compatible inputs
- Undervoltage shutdown
- Overvoltage clamp
- Thermal shutdown
- Cross-conduction protection
- Current and power limitation
- Very low standby power consumption
- Protection against loss of ground and loss of  $V_{CC}$
- Current sense output proportional to motor current
- Output protected against short to ground and short to  $V_{CC}$

Table 1. Device summary

Package	Order codes	
	Tube	Tape and reel
SO-16N	VNH5200AS-E	VNH5200ASTR-E

# Contents

- 1      Block diagram and pin description ..... 5**
  
- 2      Electrical specifications ..... 8**
  - 2.1    Absolute maximum ratings ..... 8
  - 2.2    Thermal data ..... 9
  - 2.3    Electrical characteristics ..... 9
  - 2.4    Waveforms ..... 16
  
- 3      Application information ..... 18**
  - 3.1    Reverse battery protection ..... 19
  
- 4      Package and PCB thermal data ..... 21**
  - 4.1    PCB characteristics ..... 21
  - 4.2    Package thermal data ..... 22
    - 4.2.1    Thermal characterization in steady state conditions ..... 22
    - 4.2.2    Thermal characterization during transients ..... 23
  
- 5      Package and packing information ..... 27**
  - 5.1    ECOPACK® ..... 27
  - 5.2    SO-16N mechanical data ..... 27
  
- 6      Revision history ..... 29**



# List of tables

Table 1.	Device summary . . . . .	1
Table 2.	Block description . . . . .	5
Table 3.	Suggested connections for unused and not connected pins . . . . .	6
Table 4.	Pin definitions and functions . . . . .	6
Table 5.	Pin functions description . . . . .	7
Table 6.	Absolute maximum ratings . . . . .	8
Table 7.	Thermal data . . . . .	9
Table 8.	Power section . . . . .	9
Table 9.	Logic inputs (INA, INB, ENA, ENB) . . . . .	10
Table 10.	Switching (VCC = 13 V, RLOAD = 6.5 W) . . . . .	10
Table 11.	Protections and diagnostics . . . . .	11
Table 12.	Current sense (9 V < VCC < 18 V) . . . . .	11
Table 13.	Truth table in normal operating conditions . . . . .	13
Table 14.	Truth table in fault conditions (detected on OUTA) . . . . .	14
Table 15.	Electrical transient requirements (part 1) . . . . .	15
Table 16.	Electrical transient requirements (part 2) . . . . .	15
Table 17.	Electrical transient requirements (part 3) . . . . .	15
Table 18.	Thermal model for junction temperature calculation in steady-state conditions . . . . .	23
Table 19.	Thermal parameters . . . . .	25
Table 20.	SO-16N mechanical data . . . . .	28
Table 21.	Document revision history . . . . .	29

## List of figures

Figure 1.	Block diagram . . . . .	5
Figure 2.	Configuration diagram (top view) . . . . .	6
Figure 3.	Current and voltage conventions . . . . .	8
Figure 4.	Definition of delay time . . . . .	12
Figure 5.	Definition of the low-side switching times . . . . .	13
Figure 6.	Definition of the high-side switching times . . . . .	13
Figure 7.	Waveforms in full-bridge operation (part 1) . . . . .	16
Figure 8.	Waveforms in full-bridge operation (part 2) . . . . .	17
Figure 9.	Typical application circuit . . . . .	18
Figure 10.	Behavior in fault condition (how a fault can be cleared) . . . . .	19
Figure 11.	Half-bridge configuration. . . . .	20
Figure 12.	Multi-motors configuration . . . . .	20
Figure 13.	PCB layout (top and bottom): footprint, 2+2+2 cm <sup>2</sup> , 8+8+8 cm <sup>2</sup> . . . . .	21
Figure 14.	Chipset configuration in steady state conditions. . . . .	22
Figure 15.	Auto and mutual R <sub>thj-amb</sub> vs. PCB heat-sink area in open box free air condition . . . . .	22
Figure 16.	Chipset configuration during transients . . . . .	23
Figure 17.	HSD thermal impedance junction ambient single pulse . . . . .	24
Figure 18.	LSD thermal impedance junction ambient single pulse . . . . .	24
Figure 19.	Electrical equivalent model. . . . .	25
Figure 20.	SO-16N package dimensions . . . . .	27

# 1 Block diagram and pin description

Figure 1. Block diagram

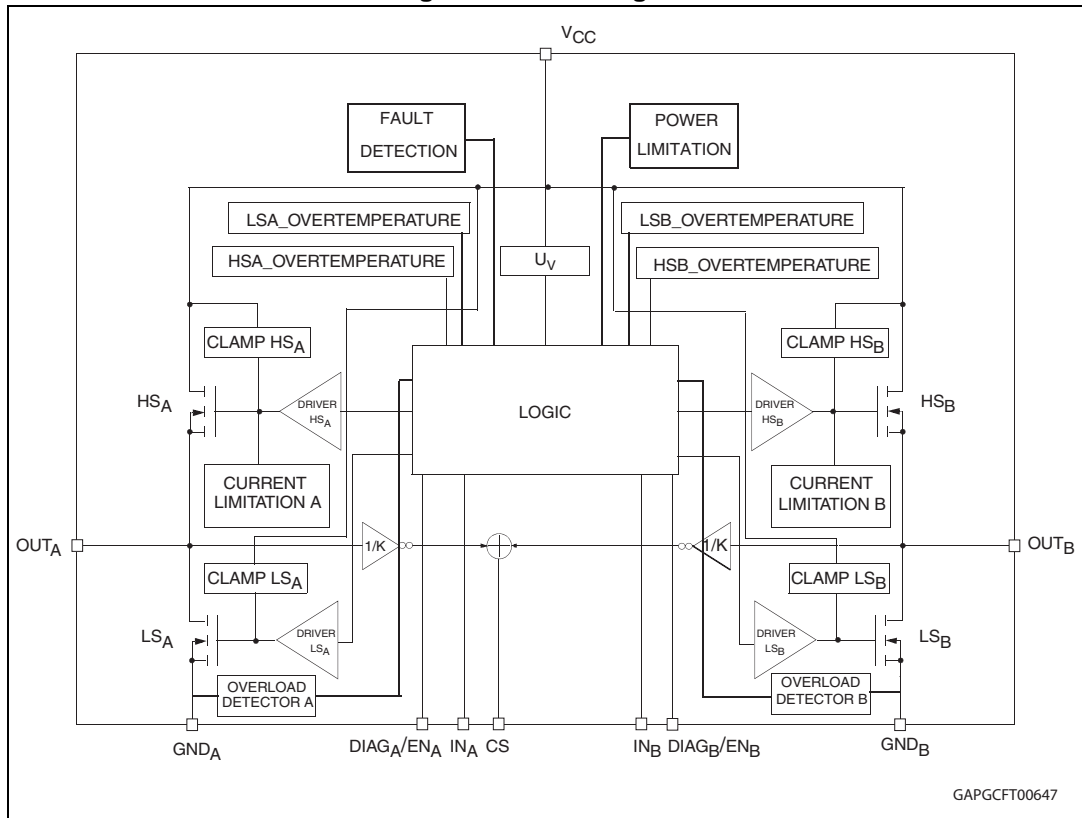


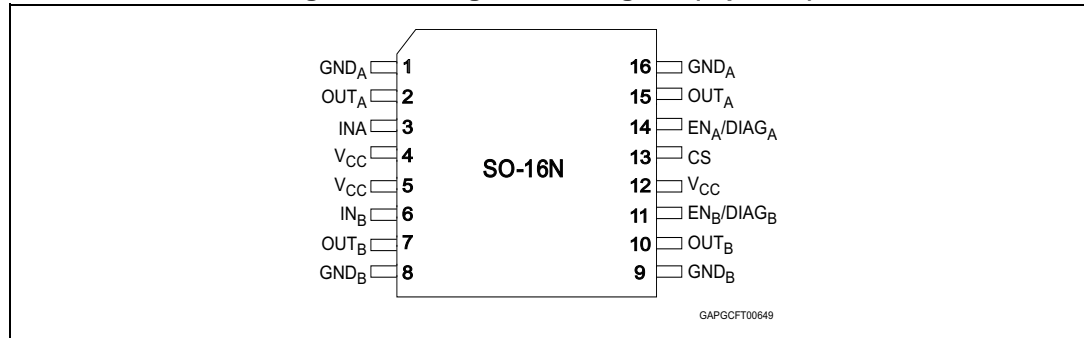
Table 2. Block description

Name	Description
Logic control	Allows the turn-on and the turn-off of the high-side and the low-side switches according to the truth table.
Undervoltage	Shuts down the device for battery voltage lower than 5V.
High-side and low-side clamp voltage	Protect the high-side and the low-side switches from the high voltage on the battery line.
High-side and low-side driver	Drive the gate of the concerned switch to allow a proper $R_{DS(on)}$ for the leg of the bridge.
Current limitation	Limits the motor current in case of short circuit.
High-side and low-side overtemperature protection	In case of short-circuit with the increase of the junction temperature, it shuts down the concerned driver to prevent degradation and to protect the die.
Low-side overload detector	Detects when low side current exceeds shutdown current and latches off the concerned Low side.

**Table 2. Block description (continued)**

Name	Description
Fault detection	Signalizes the abnormal behaviour of the switch (output shorted to ground or output shorted to battery) by pulling down the concerned ENx/DIAGx pin.
Power limitation	Limits the power dissipation of the high-side driver inside safe range in case of short to ground condition.

**Figure 2. Configuration diagram (top view)**



**Table 3. Suggested connections for unused and not connected pins**

Connection / pin	Current sense	OUTx	INPUTx, DIAGx/ENx
Floating	Not allowed	X	X
To ground	Through 1 kΩ resistor	Not allowed	Through 10 kΩ resistor

**Table 4. Pin definitions and functions**

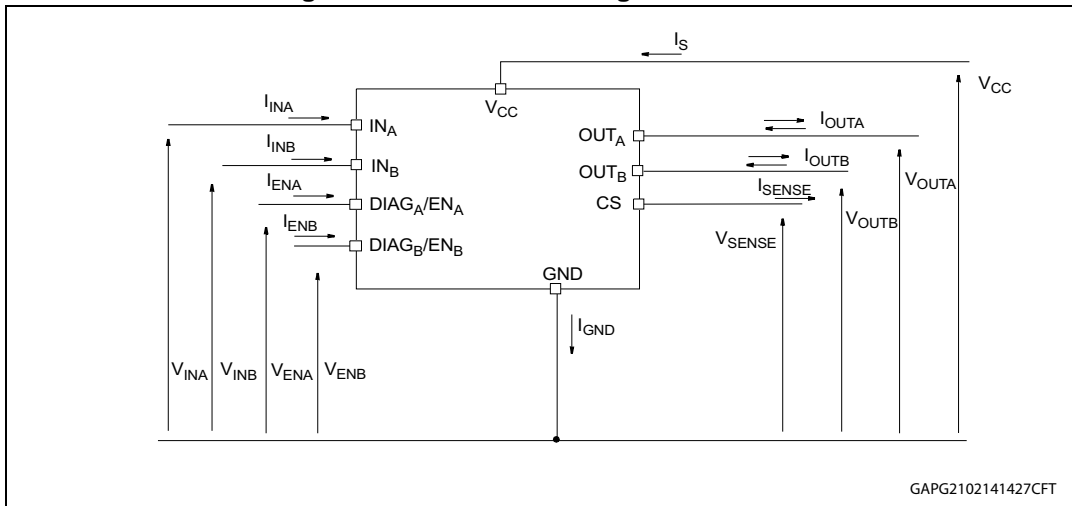
Pin N°	Symbol	Function
1, 16	GND <sub>A</sub>	Source of low-side switch A
2, 15	OUT <sub>A</sub>	Source of high-side switch A / drain of low-side switch A
3	IN <sub>A</sub>	Clockwise input
4, 5, 12	V <sub>CC</sub>	Power supply voltage
6	IN <sub>B</sub>	Counter clockwise input
7, 10	OUT <sub>B</sub>	Source of high-side switch B / drain of low-side switch B
8, 9	GND <sub>B</sub>	Source of low-side switch B
11	EN <sub>B</sub> /DIAG <sub>B</sub>	Status of high-side and low-side switches B. Open drain output.
13	CS	Output of current sense
14	EN <sub>A</sub> /DIAG <sub>A</sub>	Status of high-side and low-side switches A. Open drain output.

Table 5. Pin functions description

Name	Description
V <sub>CC</sub>	Battery connection.
GND	Power ground.
OUT <sub>A</sub> OUT <sub>B</sub>	Power connections to the motor.
IN <sub>A</sub> IN <sub>B</sub>	Voltage controlled input pins with hysteresis, CMOS-compatible. These two pins control the state of the bridge in normal operation according to the truth table (brake to V <sub>CC</sub> , brake to GND, clockwise and counterclockwise).
EN <sub>A</sub> /DIAG <sub>A</sub> EN <sub>B</sub> /DIAG <sub>B</sub>	Open drain bidirectional logic pins. These pins must be connected to an external pull up resistor. When externally pulled low, they disable half-bridge A or B. In case of fault detection (thermal shutdown of a high-side FET or excessive ON-state voltage drop across a low-side FET), these pins are pulled low by the device (see <a href="#">Table 14: Truth table in fault conditions (detected on OUTA)</a> ).
CS	Analog current sense output. This output delivers a current proportional to the motor current. The information can be read back as an analog voltage across an external resistor.

## 2 Electrical specifications

Figure 3. Current and voltage conventions



### 2.1 Absolute maximum ratings

Stressing the device above the rating listed in [Table 6: Absolute maximum ratings](#) may cause permanent damage to the device. These are stress ratings only and operation of the device at these or any other conditions above those indicated in the Operating sections of this specification is not implied. Exposure to Absolute Maximum Rating conditions for extended periods may affect device reliability.

Table 6. Absolute maximum ratings

Symbol	Parameter	Value	Unit
$V_{CC}$	Supply voltage	+ 40	V
$I_{max}$	Maximum output current (continuous)	Internally limited	A
$I_R$	Reverse output current (continuous)	-15	A
$I_{IN}$	Input current (IN <sub>A</sub> and IN <sub>B</sub> pins)	+/- 10	mA
$I_{EN}$	Enable input current (DIAG <sub>A</sub> /EN <sub>A</sub> and DIAG <sub>B</sub> /EN <sub>B</sub> pins)	+/- 10	mA
$V_{CS}$	Current sense maximum voltage	$V_{CC}-40/+V_{CC}$	V
$V_{ESD}$	Electrostatic discharge (Human body model: R=1.5 kΩ, C=100 pF)	2	kV
$T_c$	Junction operating temperature	-40 to 150	°C
$T_{STG}$	Storage temperature	-55 to 150	°C
$I_{GND}$	DC reverse ground pin current	200	mA



## 2.2 Thermal data

Table 7. Thermal data

Symbol	Parameter	Max. value	Unit
$R_{thj-case}$	Thermal resistance junction-case (per leg)	TBD	°C/W
$R_{thj-amb}$	Thermal resistance junction-ambient	See <a href="#">Figure 15</a>	°C/W

## 2.3 Electrical characteristics

Values specified in this section are for  $V_{CC} = 9\text{ V}$  up to  $18\text{ V}$ ;  $-40\text{ °C} < T_j < 150\text{ °C}$ , unless otherwise specified.

Table 8. Power section

Symbol	Parameter	Test conditions	Min.	Typ.	Max.	Unit
$V_{CC}$	Operating supply voltage		5.5		18	V
$I_S$	Supply current	Off-state with all fault cleared and $EN_x = 0$ (standby) $I_{N_A} = I_{N_B} = 0$ ; $T_j = 25\text{ °C}$ ; $V_{CC} = 13\text{ V}$		3	6	$\mu\text{A}$
		Off-state with all fault cleared and $EN_x = 0$ (standby) $I_{N_A} = I_{N_B} = 0$ ; $V_{CC} = 13\text{ V}$ ; $T_j = -40\text{ °C}$ to $150\text{ °C}$			10	$\mu\text{A}$
		Off-state (no standby) $I_{N_A} = I_{N_B} = 0$ ; $EN_x = 5\text{ V}$ ; $T_j = -40\text{ °C}$ to $150\text{ °C}$			5	$\text{mA}$
		On-state: $I_{N_A}$ or $I_{N_B} = 5\text{ V}$		3	6	$\text{mA}$
$R_{ONHS}$	Static high-side resistance	$I_{OUT} = 2\text{ A}$ ; $T_j = 25\text{ °C}$		110		$\text{m}\Omega$
		$I_{OUT} = 2\text{ A}$ ; $T_j = -40$ to $150\text{ °C}$			250	$\text{m}\Omega$
$R_{ONLS}$	Static low-side resistance	$I_{OUT} = 2\text{ A}$ ; $T_j = 25\text{ °C}$		75		$\text{m}\Omega$
		$I_{OUT} = 2\text{ A}$ ; $T_j = -40\text{ °C}$ to $150\text{ °C}$			150	$\text{m}\Omega$
$V_f$	Free-wheeling diode forward voltage	$I_{OUT} = -2\text{ A}$ ; $T_j = 150\text{ °C}$		0.7	0.9	V
$I_{L(off)}$	High-side off-state output current (per channel)	$T_j = 25\text{ °C}$ ; $V_{OUTX} = EN_x = 0\text{ V}$ ; $V_{CC} = 13\text{ V}$	0		3	$\mu\text{A}$
		$T_j = 125\text{ °C}$ ; $V_{OUTX} = EN_x = 0\text{ V}$ ; $V_{CC} = 13\text{ V}$	0		5	$\mu\text{A}$

Table 9. Logic inputs (IN<sub>A</sub>, IN<sub>B</sub>, EN<sub>A</sub>, EN<sub>B</sub>)

Symbol	Parameter	Test conditions	Min.	Typ.	Max.	Unit
V <sub>IL</sub>	Input low level voltage	Normal operation (DIAG <sub>X</sub> /EN <sub>X</sub> pin acts as an input pin)			0.9	V
V <sub>IH</sub>	Input high level voltage	Normal operation (DIAG <sub>X</sub> /EN <sub>X</sub> pin acts as an input pin)	2.1			V
V <sub>IHYST</sub>	Input hysteresis voltage	Normal operation (DIAG <sub>X</sub> /EN <sub>X</sub> pin acts as an input pin)	0.15			V
V <sub>ICL</sub>	Input clamp voltage	I <sub>IN</sub> = 1 mA	5.5	6.3	7.5	V
		I <sub>IN</sub> = -1 mA	-1.0	-0.7	-0.3	V
I <sub>INL</sub>	Input current	V <sub>IN</sub> = 0.9 V	1			μA
I <sub>INH</sub>	Input current	V <sub>IN</sub> = 2.1 V			10	μA
V <sub>DIAG</sub>	Enable output low level voltage	Fault operation (DIAG <sub>X</sub> /EN <sub>X</sub> pin acts as an output pin); I <sub>EN</sub> = 1 mA			0.4	V

Table 10. Switching (V<sub>CC</sub> = 13 V, R<sub>LOAD</sub> = 6.5 Ω)

Symbol	Parameter	Test conditions	Min.	Typ.	Max.	Unit
t <sub>d(on)</sub>	Turn-on delay time	Input rise time < 1 μs (see <a href="#">Figure 6</a> )		50		μs
t <sub>d(off)</sub>	Turn-off delay time	Input rise time < 1 μs (see <a href="#">Figure 6</a> )		120		μs
t <sub>r</sub>	Rise time	See <a href="#">Figure 5</a>		0.8		μs
t <sub>f</sub>	Fall time	See <a href="#">Figure 5</a>		33		μs
t <sub>DEL</sub>	Delay time during change of operating mode		200	400	1600	μs

**Table 11. Protections and diagnostics**

Symbol	Parameter	Test conditions	Min.	Typ.	Max.	Unit
V <sub>USD</sub>	Undervoltage shutdown			4	5	V
V <sub>USDhyst</sub>	Undervoltage shutdown hysteresis			0.5		V
I <sub>LIM_H</sub>	High-side current limitation		8	12	16	A
I <sub>SD_LS</sub>	Shutdown LS current		8	15	23	A
V <sub>CLPH</sub>	High-side clamp voltage (V <sub>CC</sub> to OUT <sub>A</sub> = 0 or OUT <sub>B</sub> = 0)	I <sub>OUT</sub> = 100 mA; t <sub>clamp</sub> = 1 ms	41	46	52	V
V <sub>CLPLS</sub>	Low-side clamp voltage (OUT <sub>A</sub> = V <sub>CC</sub> or OUT <sub>B</sub> = V <sub>CC</sub> to GND)	I <sub>OUT</sub> = 100 mA; t <sub>clamp</sub> = 1 ms	41	46	52	V
T <sub>TSD_HS</sub>	High-side thermal shutdown temperature	V <sub>IN</sub> = 2.1 V	150	175	200	°C
T <sub>TR_HS</sub>	High-side thermal reset temperature		135			°C
T <sub>HYST_HS</sub>	High-side thermal hysteresis (T <sub>SD_HS</sub> - T <sub>R_HS</sub> )			7		°C
T <sub>TSD_LS</sub>	Low-side thermal shutdown temperature	V <sub>IN</sub> = 0 V	150	175	200	°C
V <sub>CLP</sub>	Total clamp voltage (V <sub>CC</sub> to GND)	I <sub>OUT</sub> = 100 mA; t <sub>clamp</sub> = 1 ms	41	46	52	V
t <sub>SD_LS</sub>	Time to shutdown for the low-side			10		µs

**Table 12. Current sense (9 V < V<sub>CC</sub> < 18 V)**

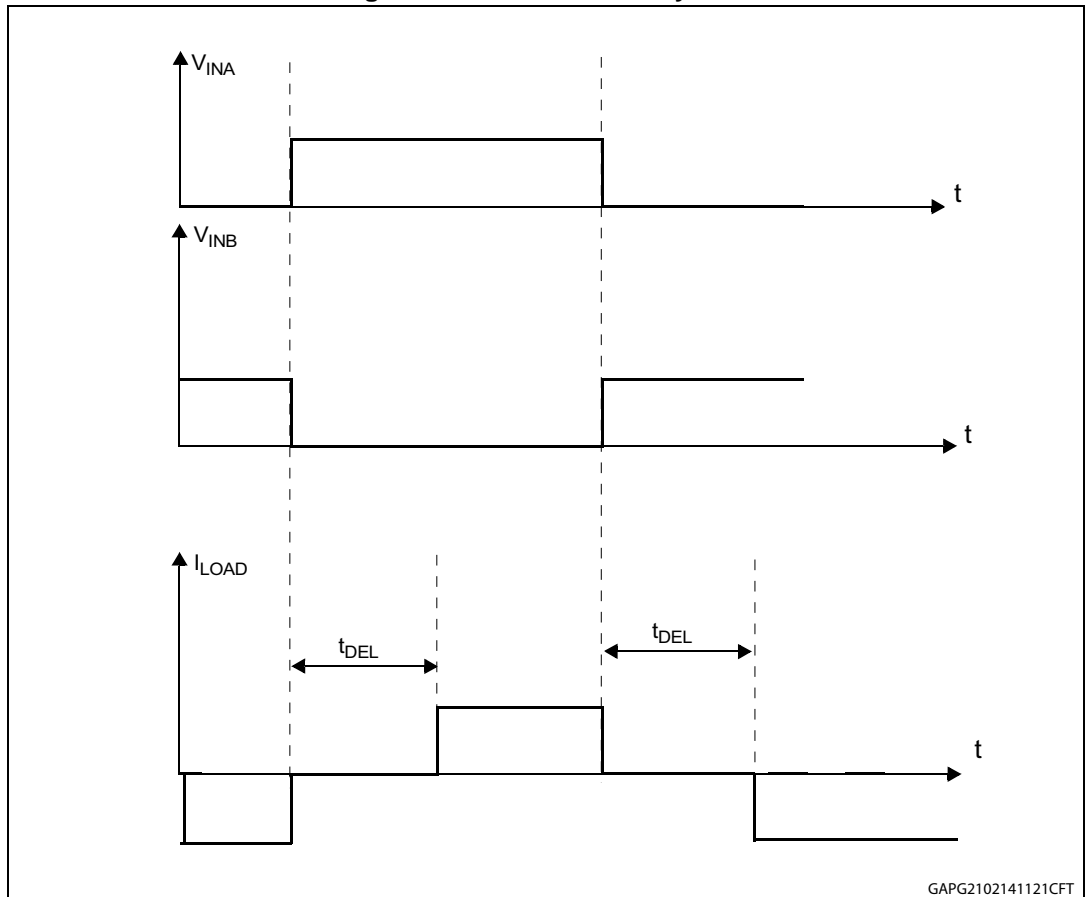
Symbol	Parameter	Test conditions	Min.	Typ.	Max.	Unit
K <sub>0</sub>	I <sub>OUT</sub> /I <sub>SENSE</sub>	I <sub>OUT</sub> = 0.075 A; V <sub>SENSE</sub> = 0.5 V; T <sub>j</sub> = -40°C to 150°C	990	1600	2330	
K <sub>1</sub>	I <sub>OUT</sub> /I <sub>SENSE</sub>	I <sub>OUT</sub> = 0.25 A; V <sub>SENSE</sub> = 0.5 V; T <sub>j</sub> = -40°C to 150°C	860	1450	2000	
K <sub>2</sub>	I <sub>OUT</sub> /I <sub>SENSE</sub>	I <sub>OUT</sub> = 2 A; V <sub>SENSE</sub> = 1 V; T <sub>j</sub> = -40°C to 150°C	890	1140	1270	
K <sub>3</sub>	I <sub>OUT</sub> /I <sub>SENSE</sub>	I <sub>OUT</sub> = 6 A; V <sub>SENSE</sub> = 4 V; T <sub>j</sub> = -40°C to 150°C	900	1080	1300	
dK <sub>0</sub> /K <sub>0</sub> <sup>(1)</sup>	Analog sense current drift	I <sub>OUT</sub> = 0.075 A; V <sub>SENSE</sub> = 0.5 V; T <sub>j</sub> = -40°C to 150°C	-20		20	%
dK <sub>1</sub> /K <sub>1</sub> <sup>(1)</sup>	Analog sense current drift	I <sub>OUT</sub> = 0.25 A; V <sub>SENSE</sub> = 0.5 V; T <sub>j</sub> = -40°C to 150°C	-30		30	%
dK <sub>2</sub> /K <sub>2</sub> <sup>(1)</sup>	Analog sense current drift	I <sub>OUT</sub> = 2 A; V <sub>SENSE</sub> = 1 V; T <sub>j</sub> = -40°C to 150°C	-14		14	%
dK <sub>3</sub> /K <sub>3</sub> <sup>(1)</sup>	Analog sense current drift	I <sub>OUT</sub> = 6 A; V <sub>SENSE</sub> = 4 V; T <sub>j</sub> = -40°C to 150°C	-14		14	%
V <sub>SENSE</sub>	Max analog sense output voltage	I <sub>OUT</sub> = 2 A; R <sub>SENSE</sub> = 10 KΩ	5			V

Table 12. Current sense (9 V < V<sub>CC</sub> < 18 V) (continued)

Symbol	Parameter	Test conditions	Min.	Typ.	Max.	Unit
I <sub>SENSE0</sub>	Analog sense leakage current	I <sub>OUT</sub> = 0 A; V <sub>SENSE</sub> = 0 V; V <sub>IN</sub> = 0 V; T <sub>J</sub> = -40°C to 150°C	0		5	μA
		V <sub>IN</sub> = 5 V; T <sub>J</sub> = -40°C to 150°C	0		5	μA

1. Analog sense current drift is deviation of factor K for a given device over (-40 °C to 150 °C and 9 V < V<sub>CC</sub> < 18 V) with respect to its value measured at T<sub>J</sub> = 25 °C, V<sub>CC</sub> = 13 V.

Figure 4. Definition of delay time



GAPG2102141121CFT

Figure 5. Definition of the low-side switching times

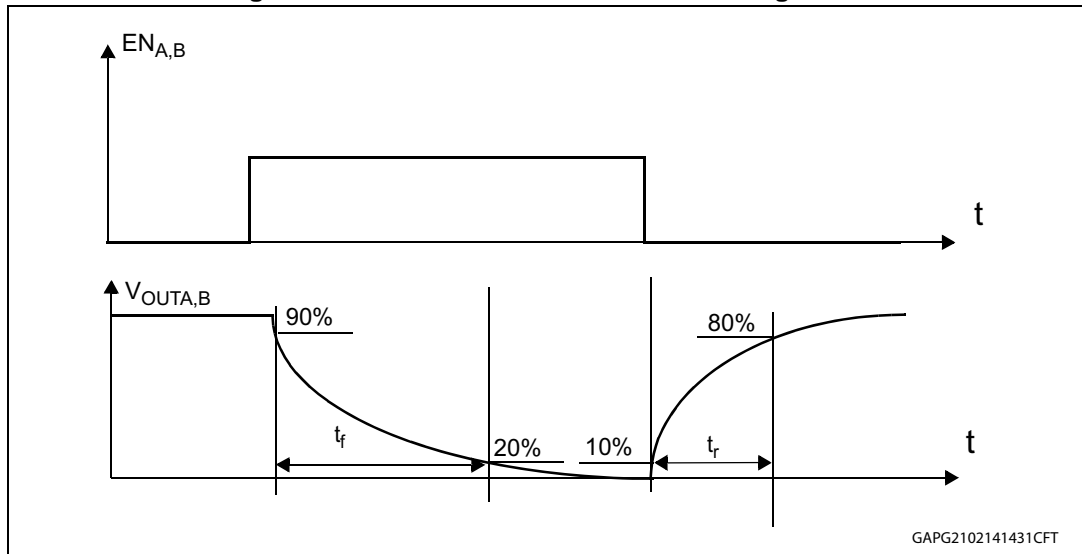


Figure 6. Definition of the high-side switching times

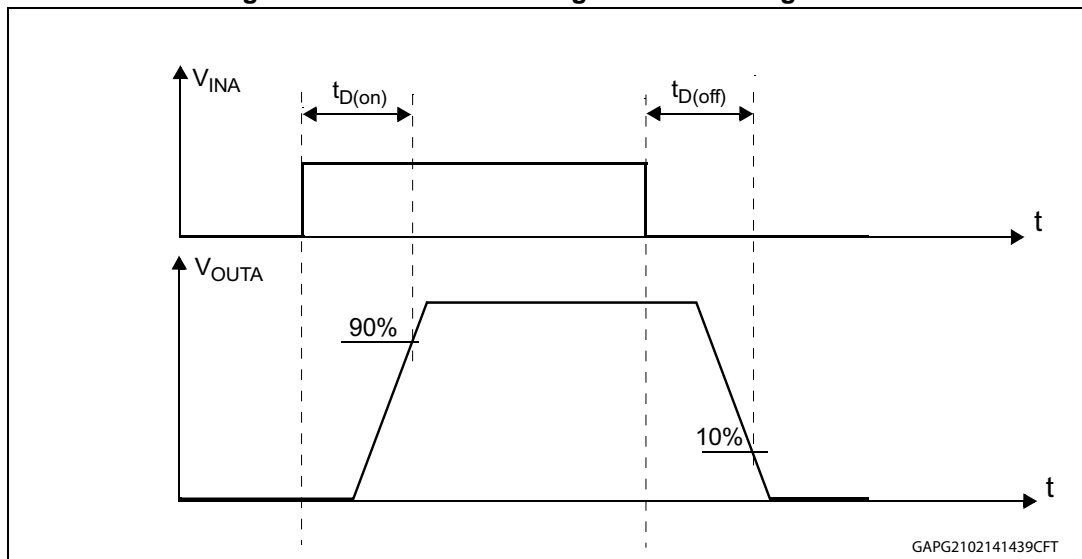


Table 13. Truth table in normal operating conditions

IN <sub>A</sub>	IN <sub>B</sub>	DIAG <sub>A</sub> /EN <sub>A</sub>	DIAG <sub>B</sub> /EN <sub>B</sub>	OUT <sub>A</sub>	OUT <sub>B</sub>	CS	Operating mode
1	1	1	1	H	H	High Imp.	Brake to V <sub>CC</sub>
	L				I <sub>SENSE</sub> = I <sub>OUT</sub> /K	Clockwise (CW)	
0	1			L		H	Counterclockwise (CCW)
	0			L	L	High Imp.	Brake to GND

Table 14. Truth table in fault conditions (detected on OUT<sub>A</sub>)

IN <sub>A</sub>	IN <sub>B</sub>	DIAG <sub>A</sub> /EN <sub>A</sub>	DIAG <sub>B</sub> /EN <sub>B</sub>	OUT <sub>A</sub>	OUT <sub>B</sub>	CS (V <sub>CS<sub>D</sub></sub> =0V)
1	1	0	1	OPEN	H	High Imp.
	0				L	
0	1				H	I <sub>OUTB</sub> /K
	0		L		High Imp.	
X	X	0	OPEN			

↑  
Fault Information
↑  
Protection Action

*Note:* In normal operating conditions the DIAG<sub>X</sub>/EN<sub>X</sub> pin is considered as an input pin by the device. This pin must be externally pulled high.

**Table 15. Electrical transient requirements (part 1)**

ISO 7637-2: 2004(E) Test pulse	Test levels <sup>(1)</sup>		Number of pulses or test times	Burst cycle/pulse repetition time		Delays and Impedance
	III	IV		Min.	Max.	
1	-75V	-100V	5000 pulses	0.5s	5s	2 ms, 10Ω
2a	+37V	+50V	5000 pulses	0.2s	5s	50μs, 2Ω
3a	-100V	-150V	1h	90ms	100ms	0.1μs, 50Ω
3b	+75V	+100V	1h	90ms	100ms	0.1μs, 50Ω
4	-6V	-7V	1 pulse			100ms, 0.01Ω
5b <sup>(2)</sup>	+65V	+87V	1 pulse			400ms, 2Ω

1. The above test levels must be considered referred to  $V_{CC} = 13.5\text{ V}$  except for pulse 5b.
2. Valid in case of external load dump clamp: 40V maximum referred to ground.

**Table 16. Electrical transient requirements (part 2)**

ISO 7637-2: 2004(E) Test pulse	Test level results <sup>(1)</sup>	
	III	IV
1	C	C
2a	C	C
3a	C	C
3b	C	C
4	C	C
5b <sup>(2)</sup>	C	C

1. The above test levels must be considered referred to  $V_{CC} = 13.5\text{ V}$  except for pulse 5b.
2. Valid in case of external load dump clamp: 40V maximum referred to ground.

**Table 17. Electrical transient requirements (part 3)**

Class	Contents
C	All functions of the device are performed as designed after exposure to disturbance.
E	One or more functions of the device are not performed as designed after exposure to disturbance and cannot be returned to proper operation without replacing the device.

## 2.4 Waveforms

Figure 7. Waveforms in full-bridge operation (part 1)

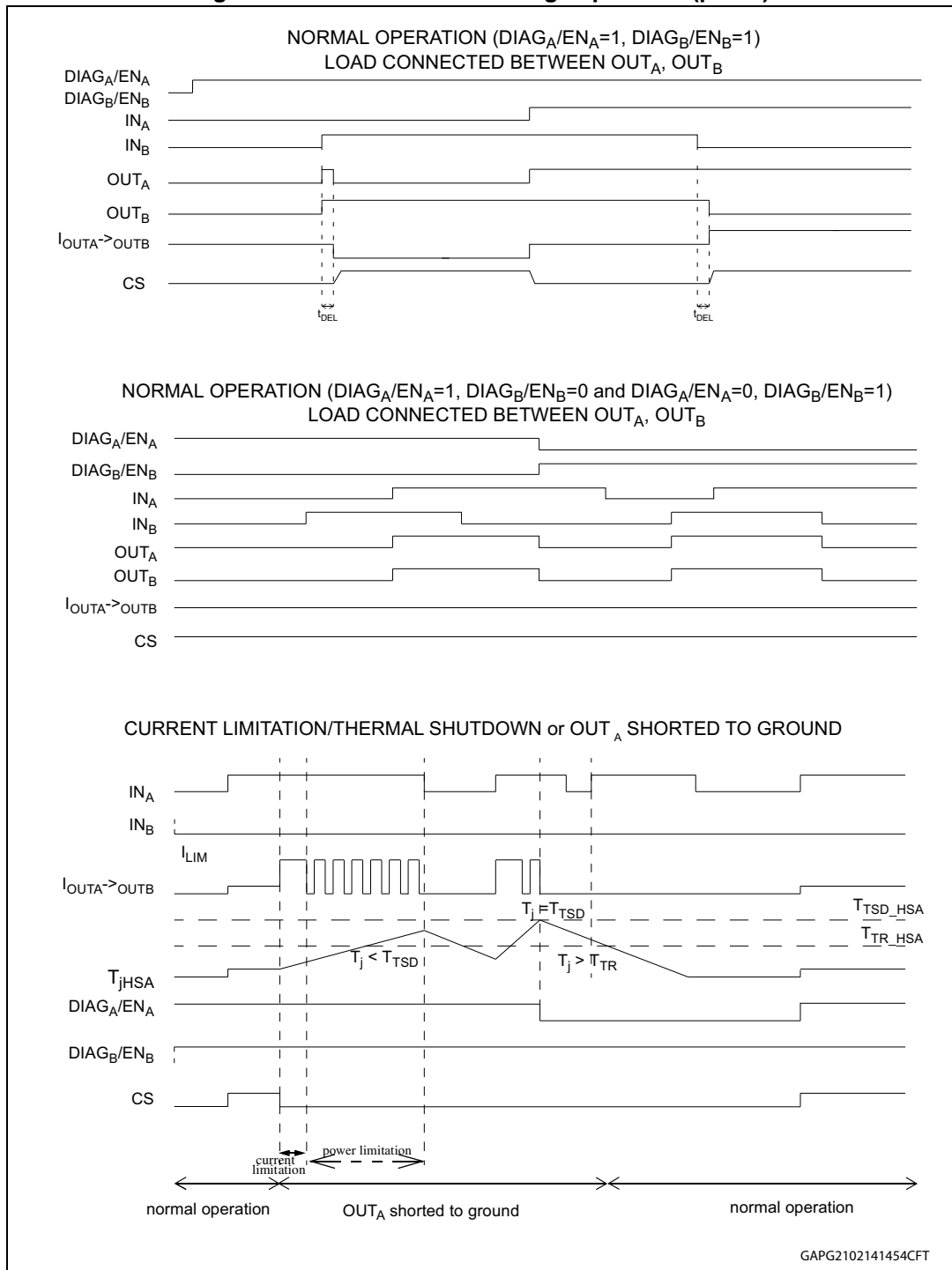
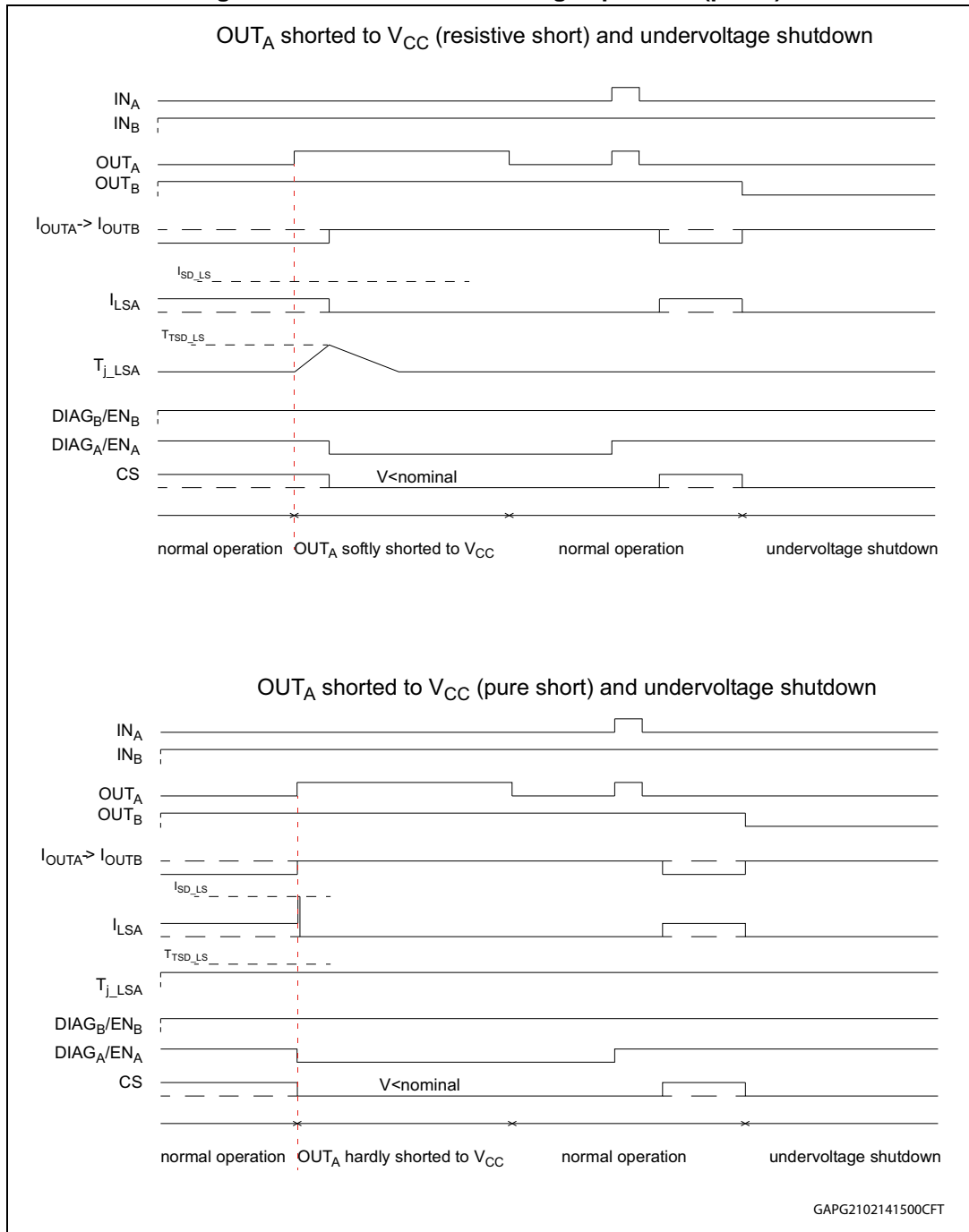




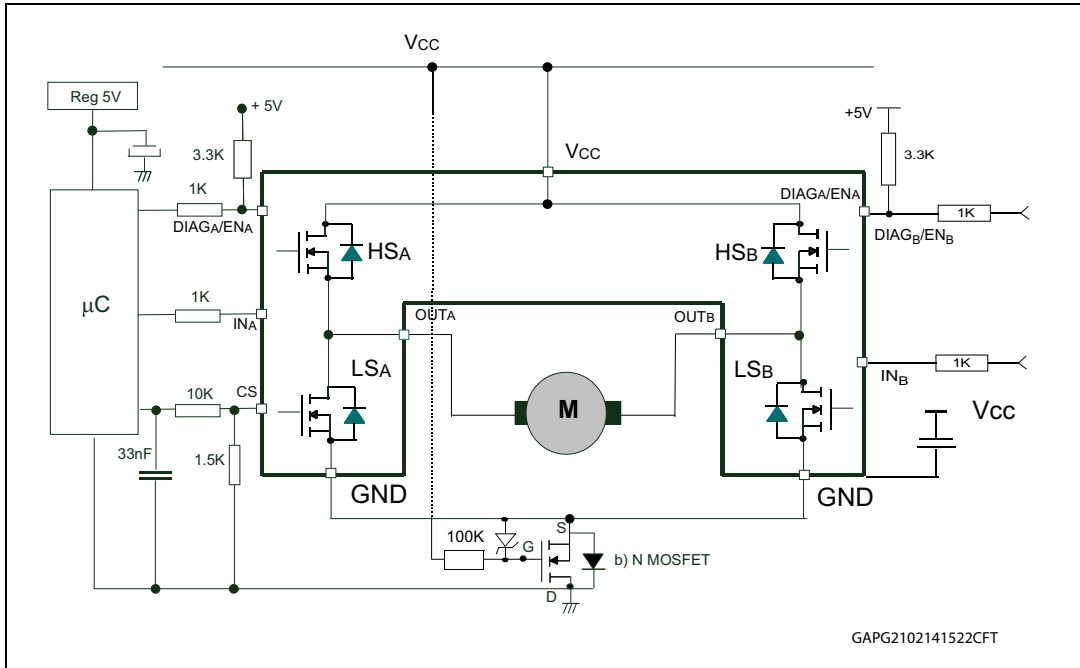
Figure 8. Waveforms in full-bridge operation (part 2)



### 3 Application information

In normal operating conditions the DIAG<sub>X</sub>/EN<sub>X</sub> pin is considered as an input pin by the device. This pin must be externally pulled high.

Figure 9. Typical application circuit



Note: The value of the blocking capacitor (C) depends on the application conditions. Stored energy of the motor inductance may fly back into the blocking capacitor, if the bridge driver goes into 3-state. This causes a hazardous overvoltage if the capacitor is not big enough. As basic orientation, 500 µF per 10 A load current is recommended.

In case of a fault condition the DIAG<sub>X</sub>/EN<sub>X</sub> pin is considered as an output pin by the device.

The fault conditions are:

- Overtemperature on one or both high-sides
- Short to battery condition on the output (overcurrent detection on the low-side Power MOSFET)

Possible origins of fault conditions may be:

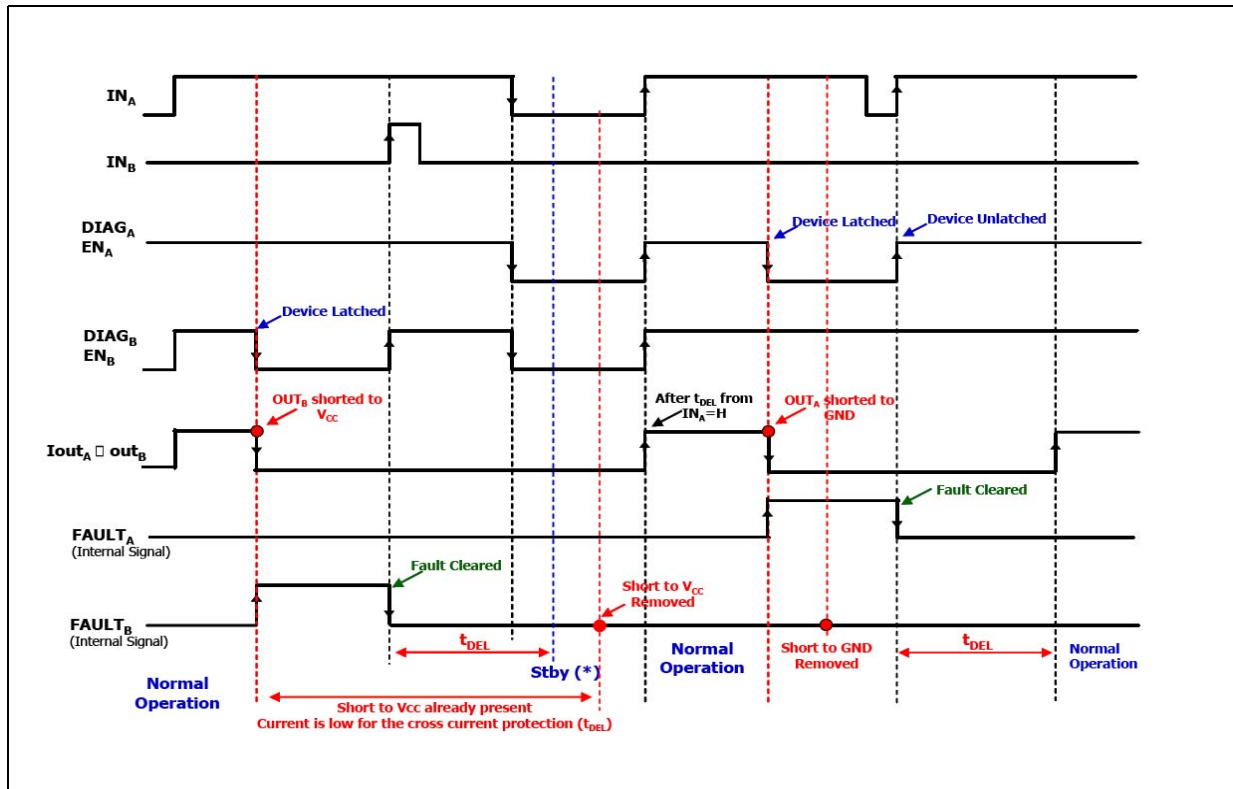
OUT<sub>A</sub> is shorted to ground → overtemperature detection on high-side A

OUT<sub>A</sub> is shorted to V<sub>CC</sub> → low-side Power MOSFET overcurrent detection

When a fault condition is detected, the user can identify which power element is in fault by monitoring the IN<sub>A</sub>, IN<sub>B</sub>, DIAG<sub>A</sub>/EN<sub>A</sub> and DIAG<sub>B</sub>/EN<sub>B</sub> pins.

In any case, when a fault is detected, the faulty leg of the bridge is latched off. To turn on the respective output (OUT<sub>X</sub>) again, the input signal must rise from low to high level.

Figure 10. Behavior in fault condition (how a fault can be cleared)



Note: In case the fault condition is not removed, the procedure for unlatching and sending the device in Stby mode is:

- Clear the fault in the device (toggle:  $IN_A$  if  $EN_A = 0$  or  $IN_B$  if  $EN_B = 0$ )
- Pull low all inputs and Diag/EN pins within  $t_{DEL}$ .

If the Diag/En pins are already low the fault can be cleared simply by toggling the input. The device enters in stby mode as soon as the fault is cleared.

### 3.1 Reverse battery protection

Three possible solutions can be considered:

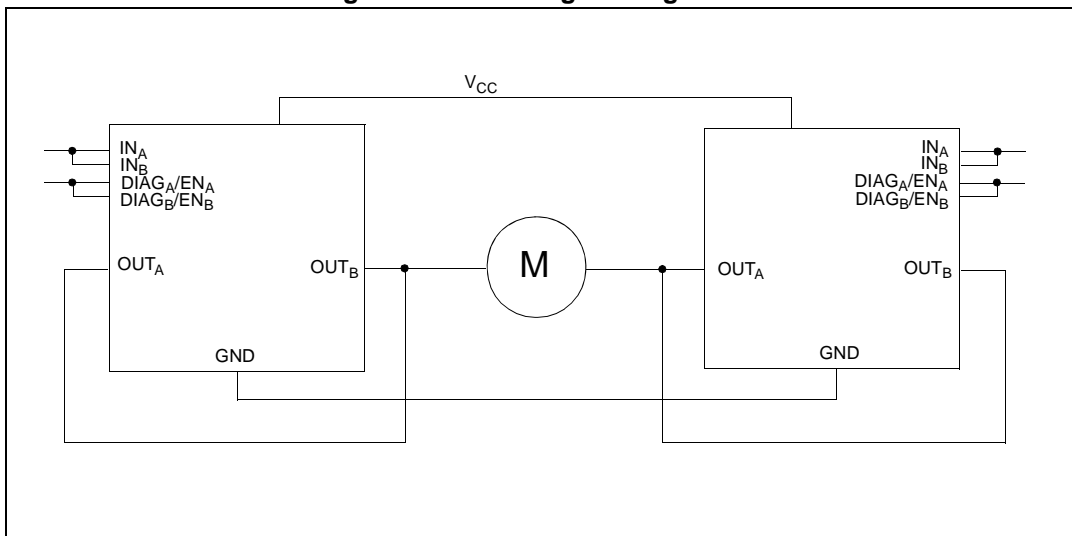
- A Schottky diode D connected to  $V_{CC}$  pin
- An N-channel MOSFET connected to the GND pin (see [Figure 9: Typical application circuit](#))
- A P-channel MOSFET connected to the  $V_{CC}$  pin

The device sustains no more than -15 A in reverse battery conditions because of the two Body diodes of the Power MOSFETs. Additionally, in reverse battery condition the I/Os of VNH5200AS-E is pulled down to the  $V_{CC}$  line (approximately -1.5 V).

Series resistor must be inserted to limit the current sunk from the microcontroller I/Os. If  $I_{Rmax}$  is the maximum target reverse current through microcontroller I/Os, series resistor is:

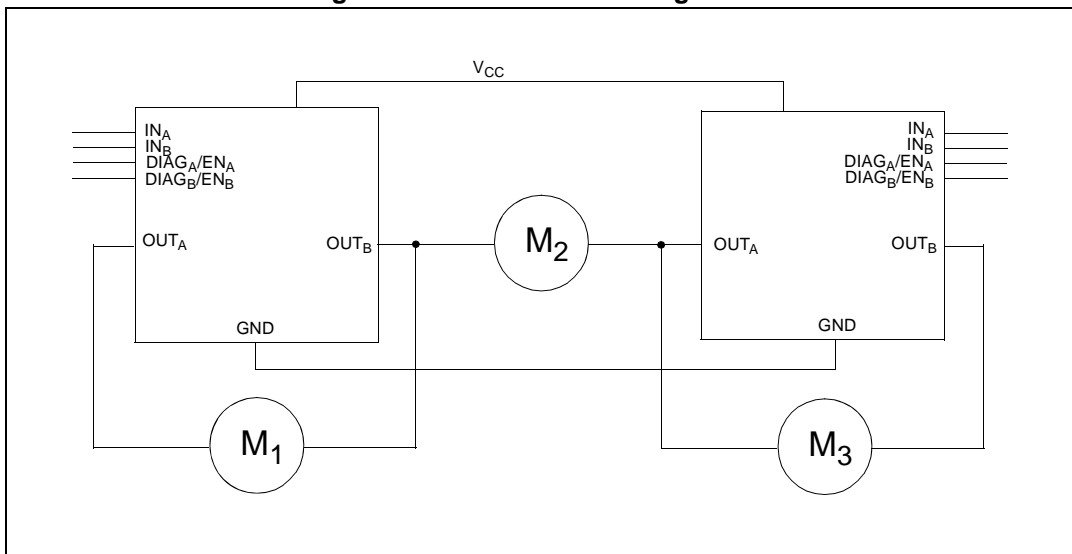
$$R = \frac{V_{IOs} - V_{CC}}{I_{Rmax}}$$

Figure 11. Half-bridge configuration



Note: The VNH5200AS-E can be used as a high power half-bridge driver achieving an On resistance per leg of 90 mΩ.

Figure 12. Multi-motors configuration

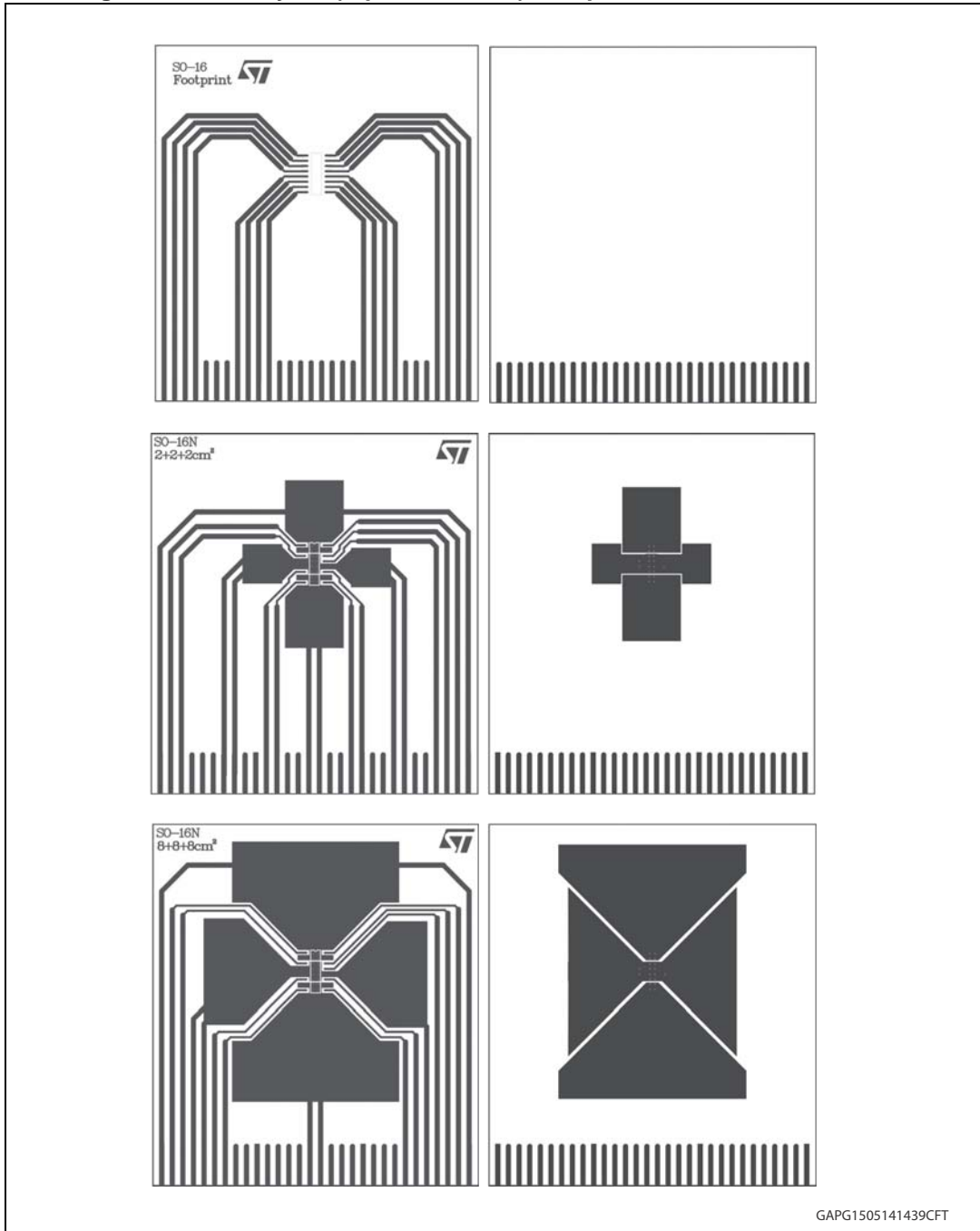


Note: The VNH5200AS-E can easily be designed in multi-motors driving applications such as seat positioning systems where only one motor must be driven at a time. DIAG<sub>x</sub>/EN<sub>x</sub> pins allow to put unused half-bridges in high impedance.

## 4 Package and PCB thermal data

### 4.1 PCB characteristics

Figure 13. PCB layout (top and bottom): footprint, 2+2+2 cm<sup>2</sup>, 8+8+8 cm<sup>2</sup>

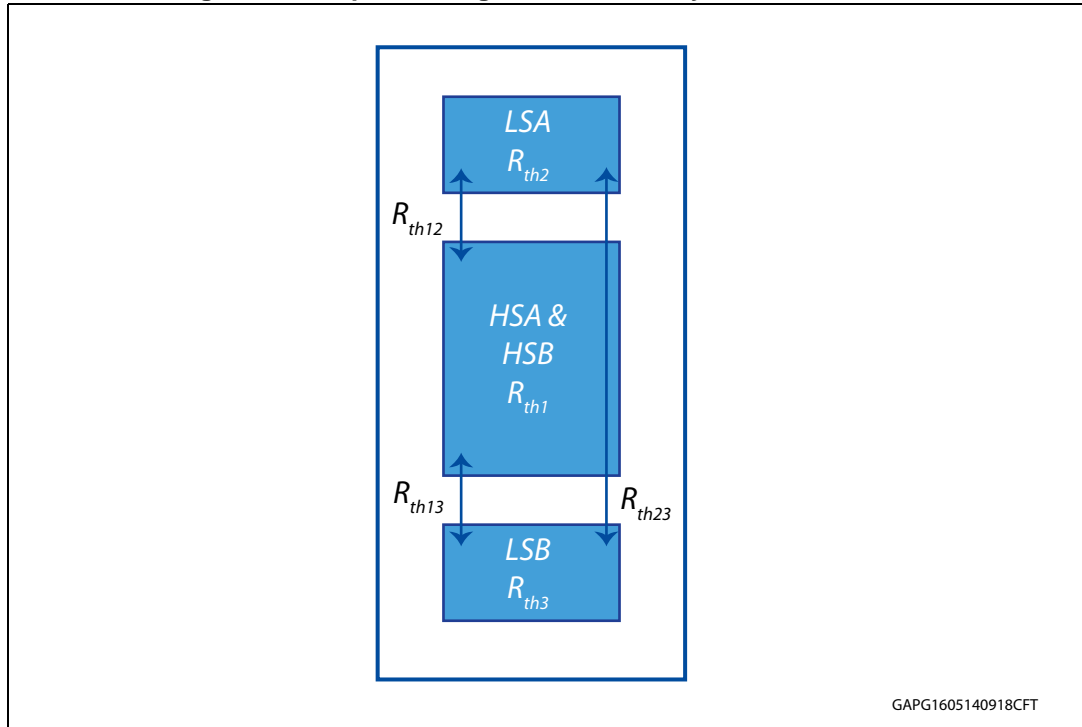


Note: Board finish thickness 1.6 mm +/- 10%, double layer, dimensions 77x86 mm, material FR4; Cu thickness 70µm (both front and back side); Thermal via separation 1.2 mm, thermal via diameter 0.3 mm +/- 0.08 mm; Cu thickness on vias 0.025 mm.

## 4.2 Package thermal data

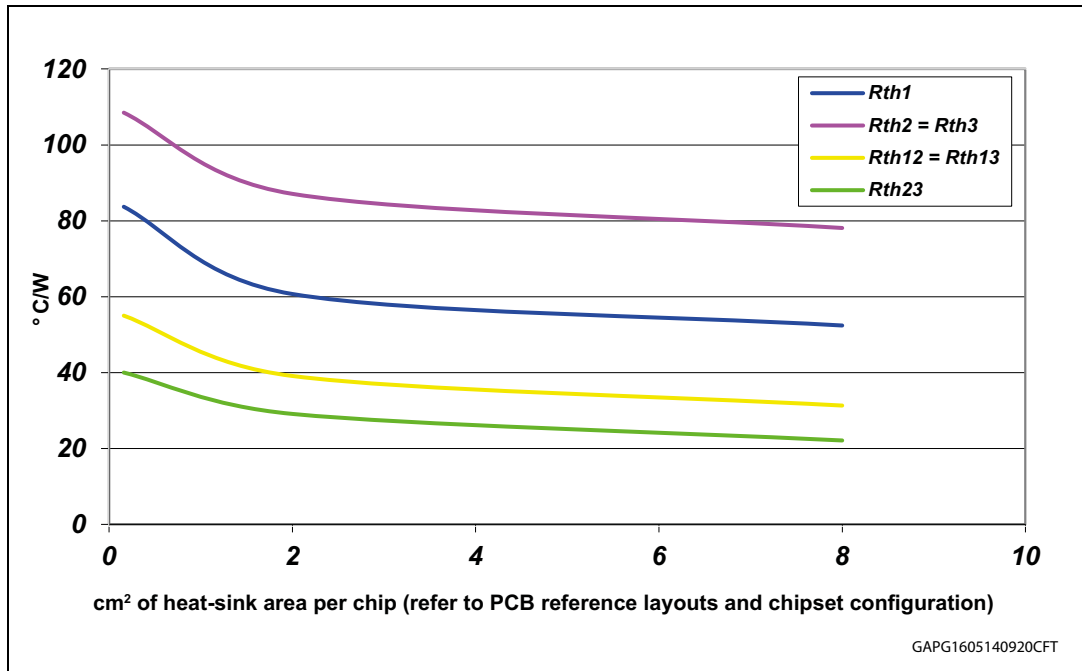
### 4.2.1 Thermal characterization in steady state conditions

Figure 14. Chipset configuration in steady state conditions



GAPG1605140918CFT

Figure 15. Auto and mutual  $R_{thj-amb}$  vs. PCB heat-sink area in open box free air condition



GAPG1605140920CFT

**Table 18. Thermal model for junction temperature calculation in steady-state conditions**

HS <sub>A</sub>	HS <sub>B</sub>	LS <sub>A</sub>	LS <sub>B</sub>	T <sub>jHSAB</sub>	T <sub>jLSA</sub>	T <sub>jLSB</sub>
ON	OFF	OFF	ON	$P_{dHSA} \cdot R_{th1} + P_{dLSB} \cdot R_{th13} + T_{amb}$	$P_{dHSA} \cdot R_{th12} + P_{dLSB} \cdot R_{th23} + T_{amb}$	$P_{dHSA} \cdot R_{th13C} + P_{dLSB} \cdot R_{th3} + T_{amb}$
OFF	ON	ON	OFF	$P_{dHSB} \cdot R_{th1} + P_{dLSA} \cdot R_{th12} + T_{amb}$	$P_{dHSB} \cdot R_{th12} + P_{dLSA} \cdot R_{th2} + T_{amb}$	$P_{dHSAB} \cdot R_{th13} + P_{dLSA} \cdot R_{th23} + T_{amb}$

**4.2.2 Thermal characterization during transients**

$$T_{hs} = P_{dhs} \cdot Z_{hs} + Z_{hsls} \cdot (P_{dlsA} + P_{dlsB}) + T_{amb}$$

$$T_{lsA} = P_{dlsA} \cdot Z_{ls} + P_{dhs} \cdot Z_{hsls} + P_{dlsB} \cdot Z_{lsls} + T_{amb}$$

$$T_{lsB} = P_{dlsB} \cdot Z_{ls} + P_{dhs} \cdot Z_{hsls} + P_{dlsA} \cdot Z_{lsls} + T_{amb}$$

**Figure 16. Chipset configuration during transients**

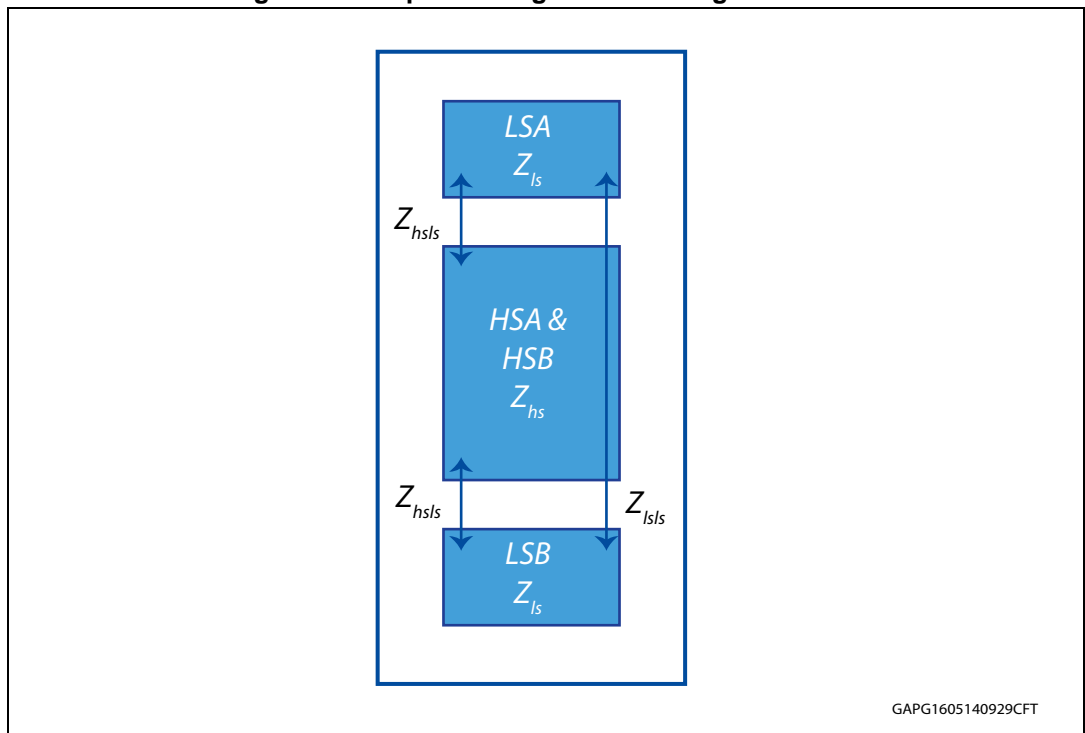


Figure 17. HSD thermal impedance junction ambient single pulse

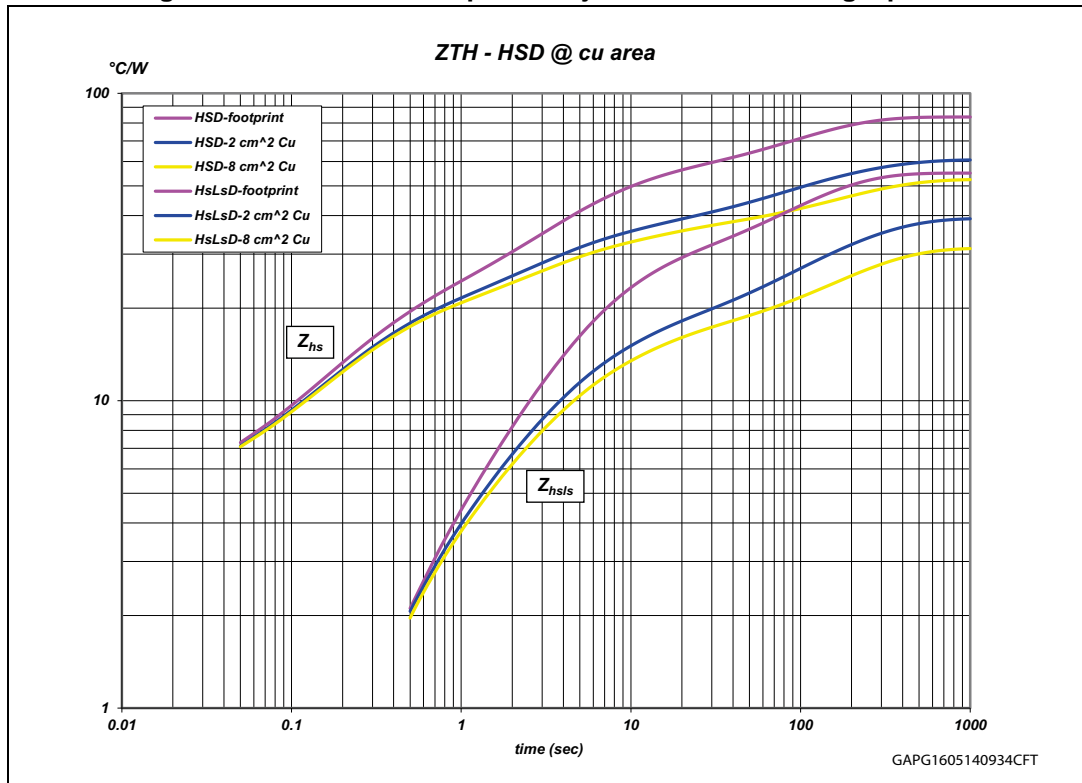


Figure 18. LSD thermal impedance junction ambient single pulse

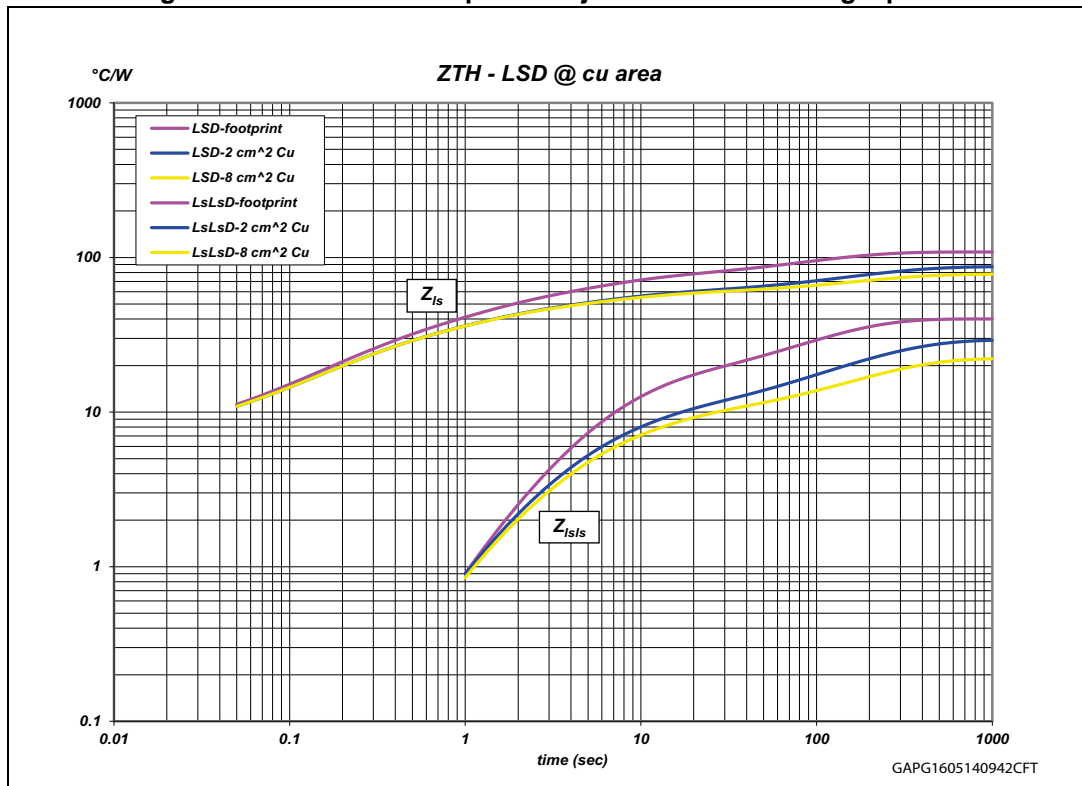




Figure 19. Electrical equivalent model

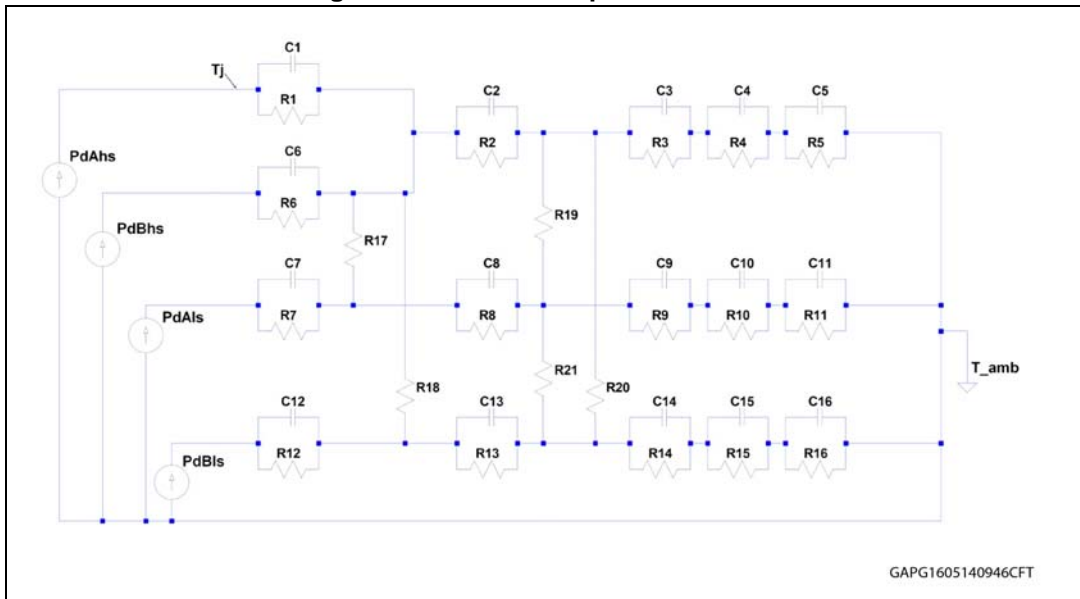


Table 19. Thermal parameters

Heat-sink area per chip (cm <sup>2</sup> )	Footprint	2	8
R1 (°C/W)	4.5		
R2 (°C/W)	14		
R3 (°C/W)	26	18	18
R4 (°C/W)	42	12	12
R5 (°C/W)	75	48	32
R6 (°C/W)	4.5		
R7 (°C/W)	6.5		
R8 (°C/W)	14		
R9 (°C/W)	35		
R10 (°C/W)	68	48	48
R11 (°C/W)	103	100	68
R12 (°C/W)	6.5		
R13 (°C/W)	14		
R14 (°C/W)	35		
R15 (°C/W)	68	48	48
R16 (°C/W)	103	100	68
R17 (°C/W)	150	120	120
R18 (°C/W)	150	120	120
R19 (°C/W)	180	150	150
R20 (°C/W)	180	150	150

Table 19. Thermal parameters (continued)

Heat-sink area per chip (cm <sup>2</sup> )	Footprint	2	8
R21 (°C/W)	4000	2000	2000
C1 (W·s/°C)	0.001		
C2 (W·s/°C)	0.02		
C3 (W·s/°C)	0.15		
C4 (W·s/°C)	0.2	0.5	1
C5 (W·s/°C)	1.5	2	6
C6 (W·s/°C)	0.001		
C7 (W·s/°C)	0.0005		
C8 (W·s/°C)	0.015		
C9 (W·s/°C)	0.04		
C10 (W·s/°C)	0.08	0.15	0.15
C11 (W·s/°C)	1	2.5	3
C12 (W·s/°C)	0.0005		
C13 (W·s/°C)	0.015		
C14 (W·s/°C)	0.04		
C15 (W·s/°C)	0.08	0.15	0.15
C16 (W·s/°C)	1	2.5	3

## 5 Package and packing information

### 5.1 ECOPACK®

In order to meet environmental requirements, ST offers these devices in different grades of ECOPACK® packages, depending on their level of environmental compliance. ECOPACK® specifications, grade definitions and product status are available at: [www.st.com](http://www.st.com).

ECOPACK® is an ST trademark.

### 5.2 SO-16N mechanical data

Figure 20. SO-16N package dimensions

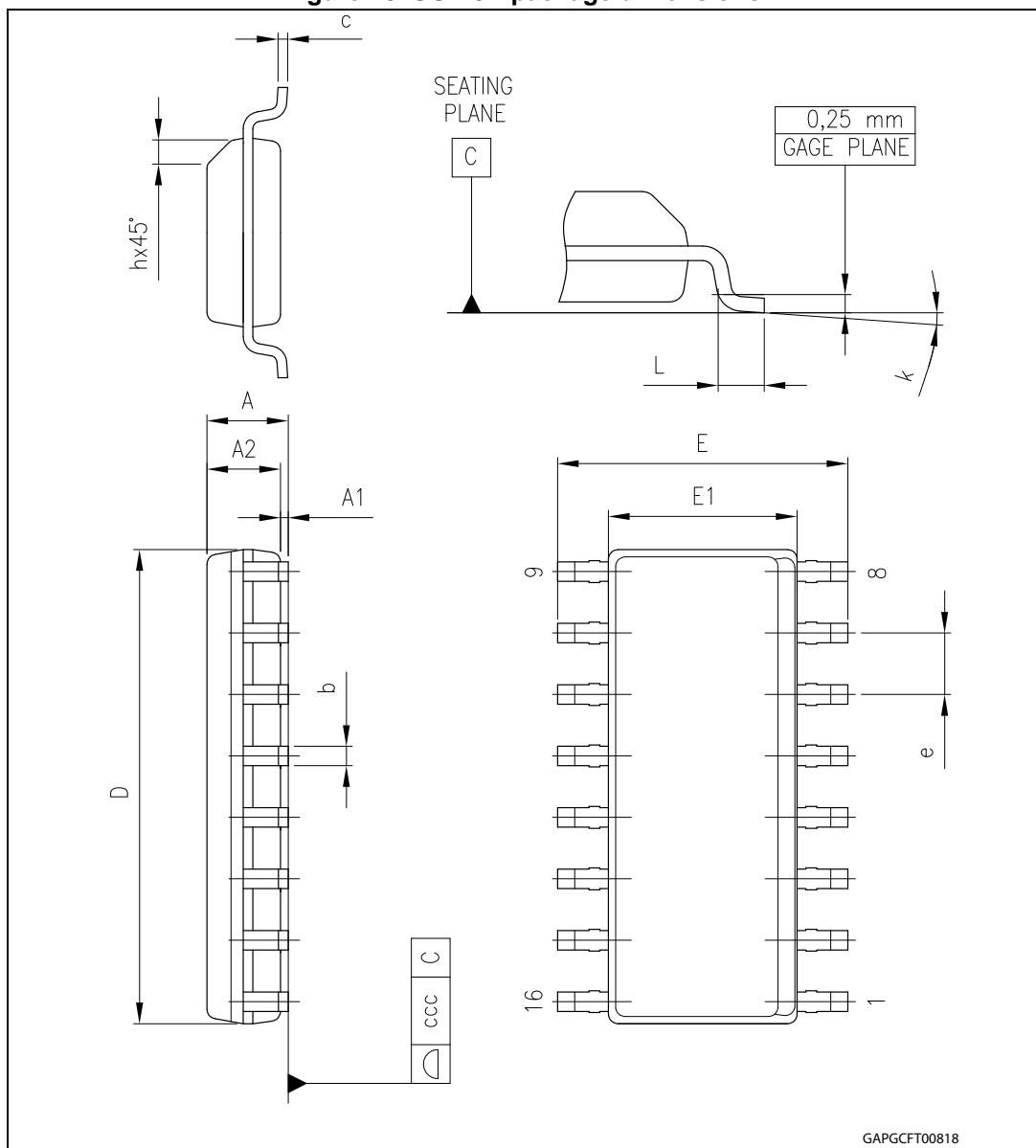


Table 20. SO-16N mechanical data

Symbol	Millimeters		
	Min.	Typ.	Max.
A			1.75
A1	0.10		0.25
A2	1.25		
b	0.31		0.51
c	0.17		0.25
D	9.80	9.90	10.00
E	5.80	6.00	6.20
E1	3.80	3.90	4.00
e		1.27	
h	0.25		0.50
L	0.40		1.27
k	0		8
ccc			0.10

## 6 Revision history

**Table 21. Document revision history**

Date	Revision	Changes
03-Jul-2012	1	Initial release.
20-Mar-2013	2	<p>Updated <a href="#">Figure 2: Configuration diagram (top view)</a>                      Added <a href="#">Table 3: Suggested connections for unused and not connected pins</a>  <a href="#">Table 4: Pin definitions and functions</a>:                      – pins 11 and 14: updated symbol and functions  <a href="#">Table 8: Power section</a>:                      – <math>R_{ONHS}</math>, <math>R_{ONLS}</math>: updated values                      – <math>I_{RM}</math>: removed row  <a href="#">Table 10: Switching (<math>VCC = 13\text{ V}</math>, <math>RLOAD = 6.5\text{ }\Omega</math>)</a>:                      – <math>t_r</math>, <math>t_f</math>: updated values                      – <math>t_{rr}</math>: removed row  <a href="#">Table 11: Protections and diagnostics</a>:                      – <math>V_{USD}</math>, <math>I_{SD\_LS}</math>: updated values                      – <math>T_{TSD\_HS}</math>, <math>T_{TR\_HS}</math>, <math>T_{HYST\_HS}</math>: updated symbol name and parameter                      – <math>T_{TSD\_LS}</math>: updated test conditions  <a href="#">Table 12: Current sense (<math>9\text{ V} &lt; VCC &lt; 18\text{ V}</math>)</a>:                      – <math>K_0</math>, <math>K_1</math>, <math>K_2</math>, <math>K_3</math>, <math>dK_2/K_2</math>, <math>dK_3/K_3</math>: updated values                      – <math>V_{SENSE}</math>: updated test conditions                      – <math>I_{SENSE0}</math>: removed test conditions and updated value                      Added <a href="#">Figure 5: Definition of the low-side switching times</a></p>
14-June-2013	3	Updated <a href="#">Description</a> and <a href="#">Table 8</a> .
18-Sep-2013	4	Updated disclaimer.
26-Feb-2014	5	<p>Updated <a href="#">Features</a> list                      Added <a href="#">Figure 4: Definition of delay time</a>                      Updated <a href="#">Figure 5: Definition of the low-side switching times</a>                      Added <a href="#">Section 2.4: Waveforms</a> and <a href="#">Chapter 3: Application information</a></p>
16-May-2014	6	<p>Updated document title                      Added <a href="#">Chapter 4: Package and PCB thermal data</a></p>
14-Apr-2015	7	<p><a href="#">Table 8: Power section</a>:                      – <math>R_{ONHS}</math>, <math>R_{ONLS}</math>: updated value  <a href="#">Table 12: Current sense (<math>9\text{ V} &lt; VCC &lt; 18\text{ V}</math>)</a>:                      – <math>K_x</math>, <math>dK_x/K_x</math>: updated values</p>

Table 21. Document revision history (continued)

Date	Revision	Changes
21-Oct-2015	8	<p><i>Table 6: Absolute maximum ratings:</i></p> <ul style="list-style-type: none"><li>– I<sub>GND</sub>: removed row</li></ul> <p><i>Table 8: Power section:</i></p> <ul style="list-style-type: none"><li>– V<sub>f</sub>: updated parameter</li></ul> <p><i>Table 11: Protections and diagnostics:</i></p> <ul style="list-style-type: none"><li>– V<sub>CLPH</sub>, V<sub>CLPLS</sub>, V<sub>CLP</sub>: updated test conditions</li></ul> <p><i>Table 12: Current sense (9 V &lt; VCC &lt; 18 V):</i></p> <ul style="list-style-type: none"><li>– K<sub>0</sub>, K<sub>1</sub>, K<sub>2</sub>, K<sub>3</sub>: updated values</li></ul> <p><i>Table 20: SO-16N mechanical data:</i></p> <ul style="list-style-type: none"><li>– ccc: updated values</li></ul>
11-Nov-2015	9	<p><i>Table 6: Absolute maximum ratings:</i></p> <ul style="list-style-type: none"><li>– I<sub>GND</sub>: added row</li></ul>

**IMPORTANT NOTICE – PLEASE READ CAREFULLY**

STMicroelectronics NV and its subsidiaries ("ST") reserve the right to make changes, corrections, enhancements, modifications, and improvements to ST products and/or to this document at any time without notice. Purchasers should obtain the latest relevant information on ST products before placing orders. ST products are sold pursuant to ST's terms and conditions of sale in place at the time of order acknowledgement.

Purchasers are solely responsible for the choice, selection, and use of ST products and ST assumes no liability for application assistance or the design of Purchasers' products.

No license, express or implied, to any intellectual property right is granted by ST herein.

Resale of ST products with provisions different from the information set forth herein shall void any warranty granted by ST for such product.

ST and the ST logo are trademarks of ST. All other product or service names are the property of their respective owners.

Information in this document supersedes and replaces information previously supplied in any prior versions of this document.

© 2015 STMicroelectronics – All rights reserved

