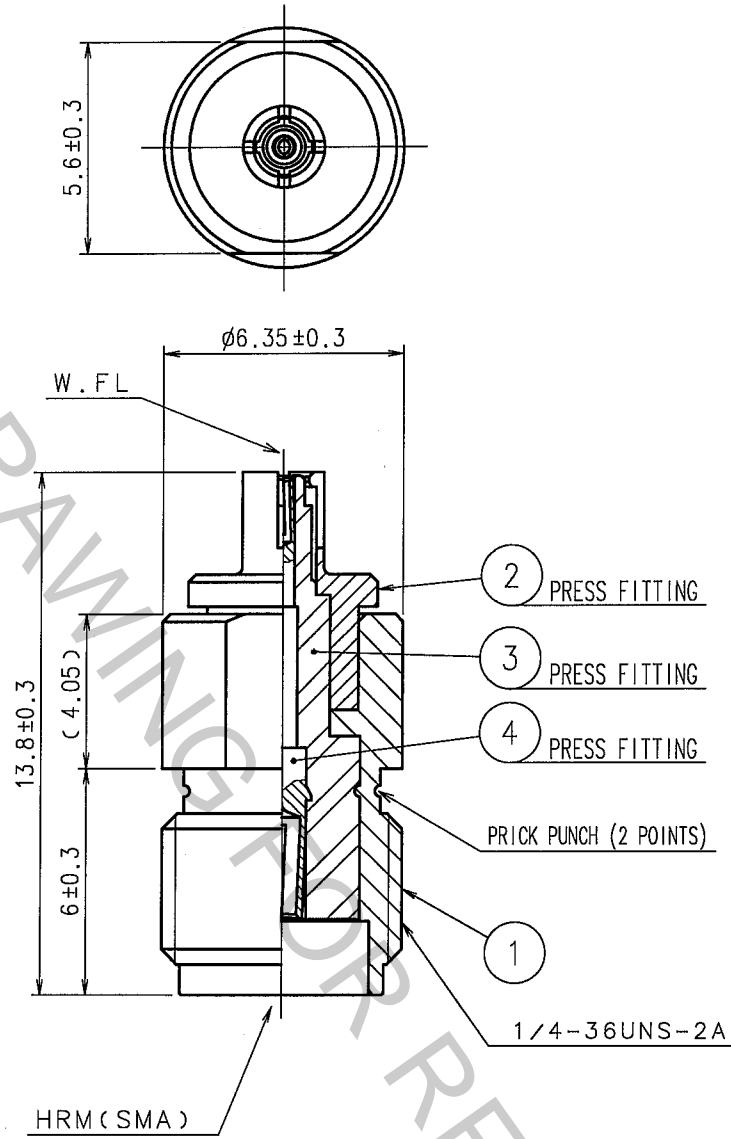


1		2			3			4		
COUNT	DESCRIPTION OF REVISIONS	BY	CHKD	DATE	COUNT	DESCRIPTION OF REVISIONS	BY	CHKD	DATE	
△					△					
△					△					
△					△					
△					△					



NOTE. USE ONLY FOR ELECTRICAL MEASUREMENT BECAUSE OF LOCKING DEVICE IN MATING PORTION ON W.FL SIDE IS DESIGNED WEAKER THAN ORDINARY PRODUCTS.

2	BERYLLIUM COPPER	NICKEL PLATING	4	BERYLLIUM COPPER	GOLD PLATING
1	BRASS	NICKEL PLATING	3	PTFE	
NO.	MATERIAL	FINISH, REMARKS	NO.	MATERIAL	FINISH, REMARKS

CODE NO. (OLD)		DRAWN	DESIGNED	CHECKED	APPROVED	RELEASED
		R.KIMURA	R.KIMURA	<i>M. Yamane</i>	<i>J. Mitani</i>	
		05.08.11	05.08.11	05.08.23	05.08.26	

TO
RF

 SACLE 5 : 1 UNITS mm	DRAWING NO. EDC4-300218-40	PART NO. HRMJ-W.FLP(40)		
	 HRS HIROSE ELECTRIC CO., LTD.	CODE NO. CL311-0368-6-40	<table border="1"> <tr><td>1</td></tr> <tr><td>1</td></tr> </table>	1
1				
1				