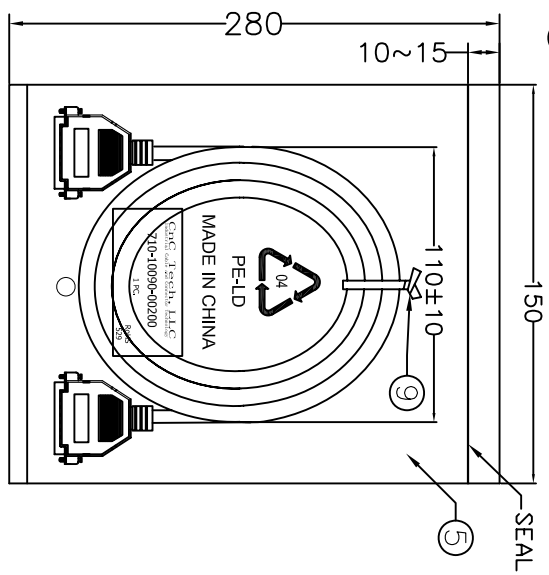
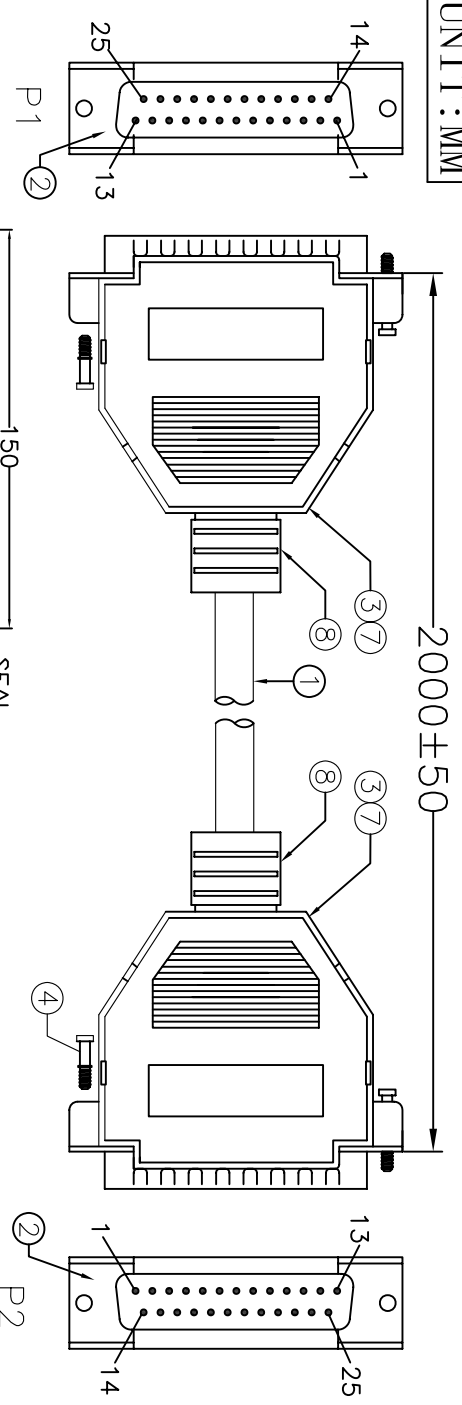


UNIT:MM



Electronic Test:
 1. 100% Test,(Open,Short, Miss Wire)
 2. Contact Resistance:2 ohm max.
 3. Insulation Resistance:5M ohm min.
 4. Hi-Pot:300V DC.

PIN ASSIGNMENT			
P1	P2		
1	BLACK	1	BLACK
2	BROWN	2	BROWN
3	RED	3	RED
4	ORANGE	4	ORANGE
5	YELLOW	5	YELLOW
6	GREEN	6	GREEN
7	BLUE	7	BLUE
8	PURPLE	8	PURPLE
9	GRAY	9	GRAY
10	WHITE	10	WHITE
11	PINK	11	PINK
12	LIGHT/GREEN	12	LIGHT/GREEN
13	RED/BLACK	13	RED/BLACK
14	ORANGE/BLACK	14	ORANGE/BLACK
15	YELLOW/BLACK	15	YELLOW/BLACK
16	GREEN/BLACK	16	GREEN/BLACK
17	BLUE/BLACK	17	BLUE/BLACK
18	PURPLE/BLACK	18	PURPLE/BLACK
19	WHITE/BLACK	19	WHITE/BLACK
20	RED/WHITE	20	RED/WHITE
21	ORANGE/WHITE	21	ORANGE/WHITE
22	GREEN/WHITE	22	GREEN/WHITE
23	BLUE/WHITE	23	BLUE/WHITE
24	PURPLE/WHITE	24	PURPLE/WHITE
25	BROWN/WHITE	25	BROWN/WHITE
	DRAIN		DRAIN
	SHELL		SHELL

CNC Tech, LLC

Industrial Cable and Connector Technology

DRAWN BY	ZHONGHS	DRAWING NO.	
CHECKED BY		CUSTOMER	
APPROVAL BY		ITEM NO.	710-10090-00200
DECIDE BY		DATE	2012-02-07
VERSIONS/EDITION	A/0	PROJECT	

NO.	NAME	QTY	SPECIFICATION
①	CABLE	1	NOUL 28AWG*25C+D+AL OD6.5mm COLOR BEIGE(IV-29#) L=2000± 15mm
②	CONN	2	DB25P MALE SOLDER TYPE PIN G/F, BLUE INSULATION
③	DKN	2	DB25P DKN W/O NUT BEIGE
④	SCREW	4	SCREW #4-40UNC L=12.5mm, NICKEL PLATED
⑤	PE BAG	1	CLEAR SIZE: 150*280*0.05mm PRINT BLACK"MADE IN CHINA"+"1PC"
⑥	PE BAG	1/10	CLEAR SIZE: 360*380*0.05mm PRINT BLACK"MADE IN CHINA"+"10PCS"
⑦	TUBE	2	HEAT SHRINK TUBE BLACK OD1.5mm, L30mm
⑧	S/R	5.5g	BEIGE(IV-29#) 45P PVC (MOULD NO. SR-51-1)
⑨	TIE	1	WHITE L=100mm

4 3 2

A B C D