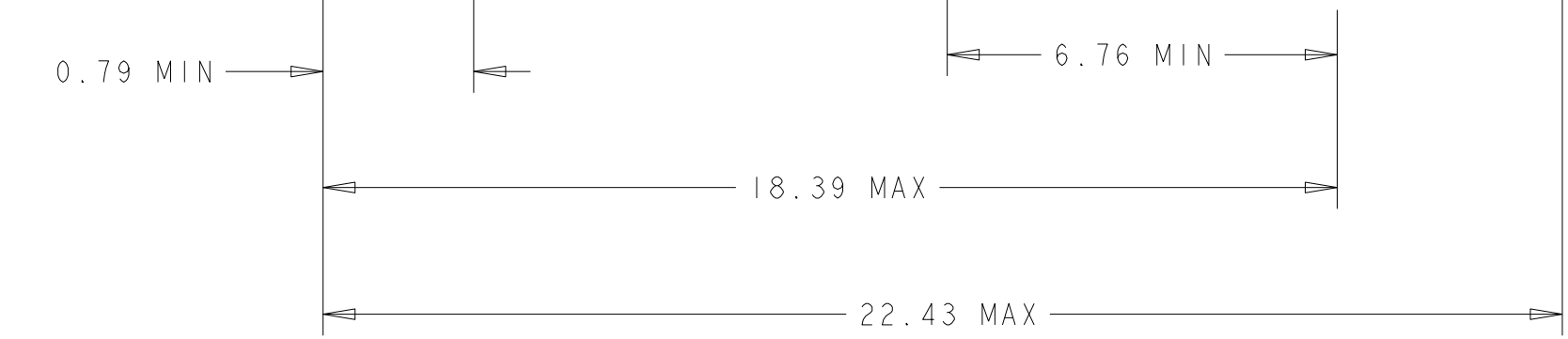
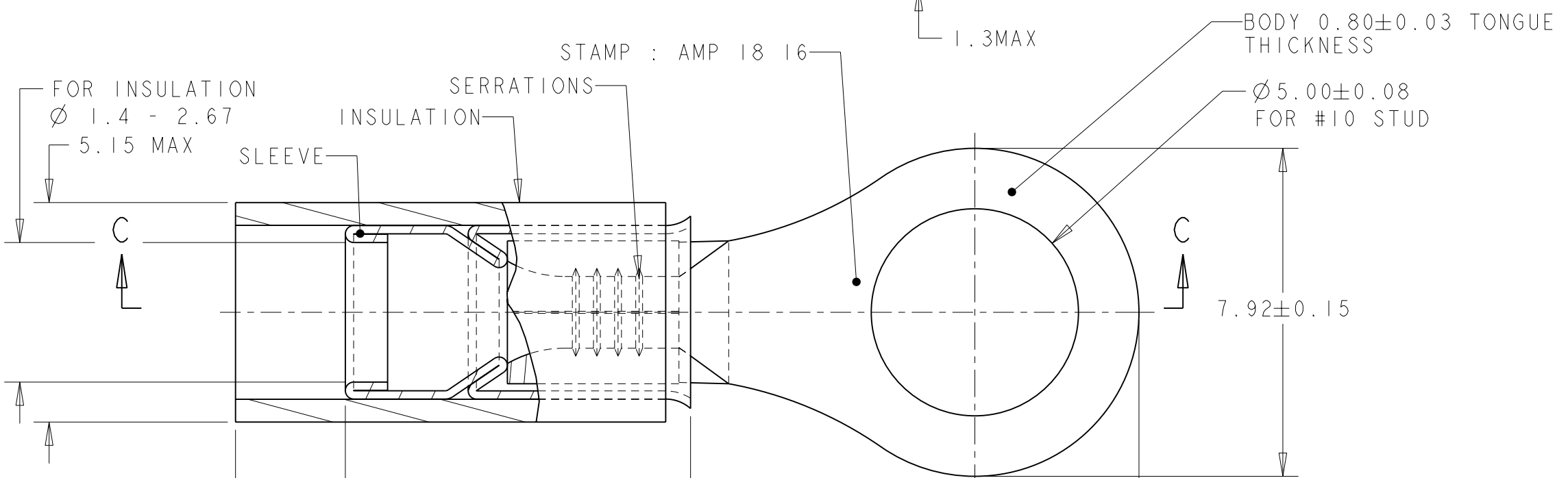
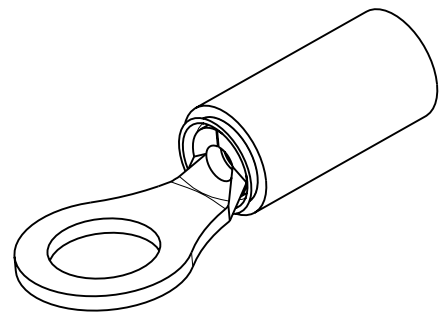
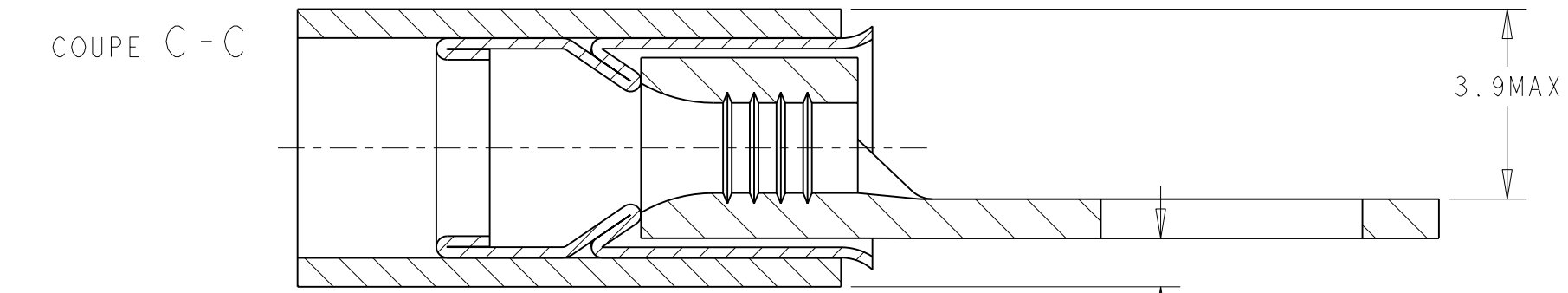


THIS DRAWING IS UNPUBLISHED. RELEASED FOR PUBLICATION 20  
 © COPYRIGHT 20 BY TYCO ELECTRONICS CORPORATION. ALL RIGHTS RESERVED.

LOC	DIST	REVISIONS			
P	LTR	DESCRIPTION	DATE	DWN	APVD
F	00	B	ECR 07-025006	26OCT2007	JT GR

D

D



WIRE TERMINAL	1577633-1	BODY : COPPER ANNEALED FINISH : NICKEL PLATED
		SLEEVE : COPPER ANNEALED FINISH : NICKEL PLATED
		INSULATION : PEEK COLOR : ORANGE
DESCRIPTION	PART NUMBER	MATERIAL & FINISH

C

C

B

B

A

A

THIS DRAWING IS A CONTROLLED DOCUMENT FOR TYCO ELECTRONICS CORPORATION. IT IS SUBJECT TO CHANGE AND THE CONTROLLING ENGINEERING ORGANIZATION SHOULD BE CONTACTED FOR THE LATEST REVISION.

DIMENSIONS: mm	TOLERANCES UNLESS OTHERWISE SPECIFIED: 0 PLC $\pm$ - 1 PLC $\pm 0.3$ 2 PLC $\pm$ - 3 PLC $\pm$ - 4 PLC $\pm$ - ANGLES $\pm 5$	DWN JJ. DESPRETZ 22FEB2006 CHK G. ROBERT 22FEB2006 APVD Y. PETRONIN 22FEB2006	Tyco Electronics France SAS 95300 Pontoise, France
MATERIAL SEE TABLE	FINISH SEE TABLE	PRODUCT SPEC 108-15356 APPLICATION SPEC 114-15102 WEIGHT 0,91 gr	
		NAME TERMINAL, PEEK PIDG STRATO, 18-16 AWG	
		SIZE A3	CAGE CODE 00779
		DRAWING NO C-1577633	
		RESTRICTED TO -	
		CUSTOMER DRAWING	SCALE 8:1 SHEET 1 OF 1 REV B