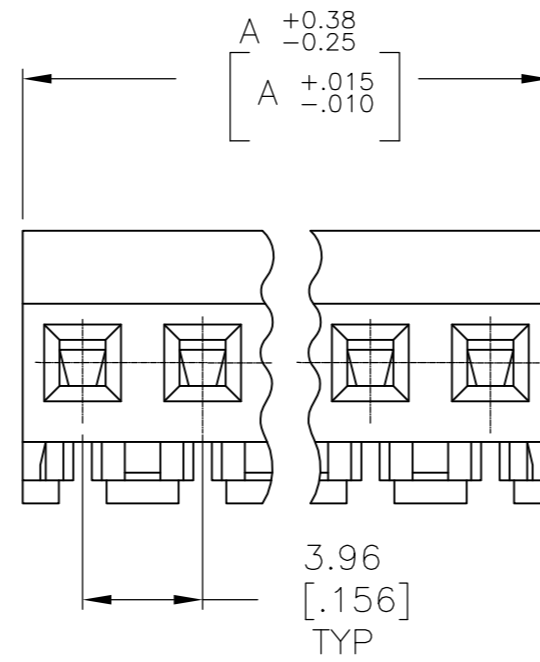
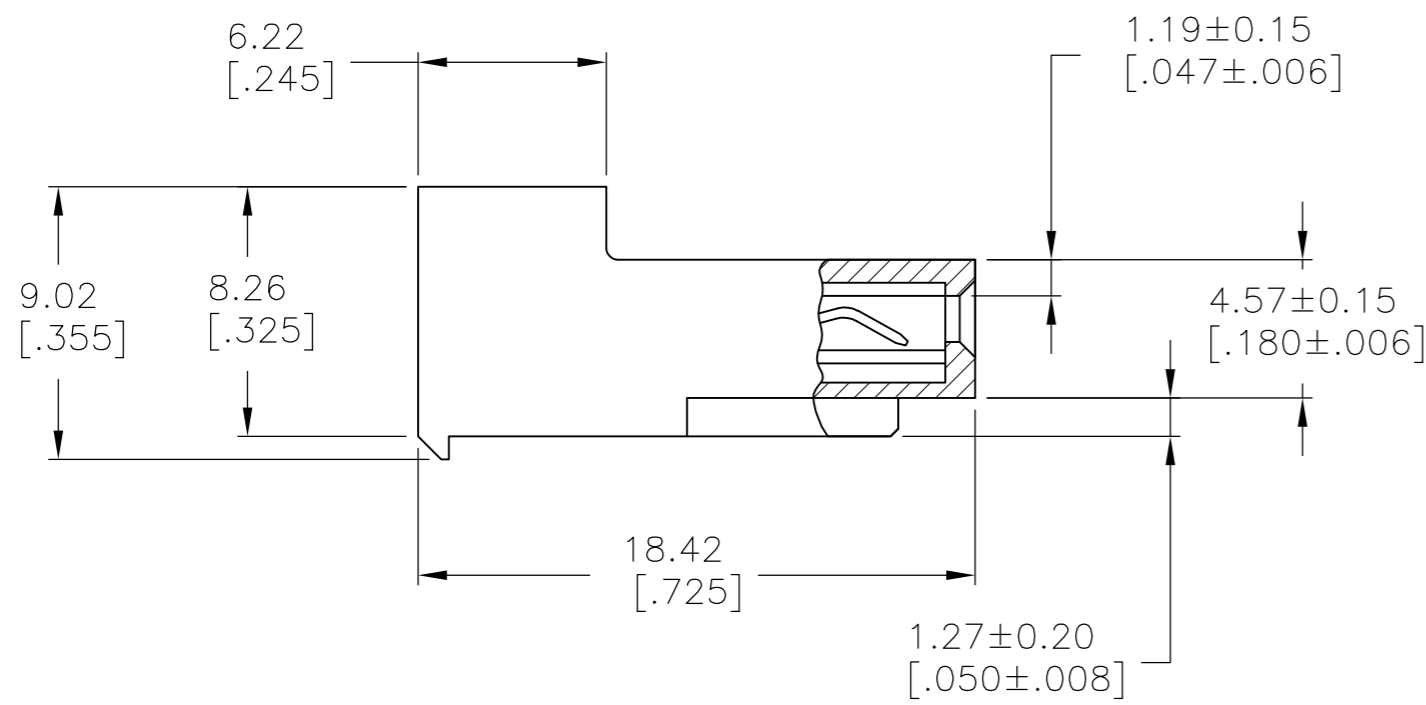
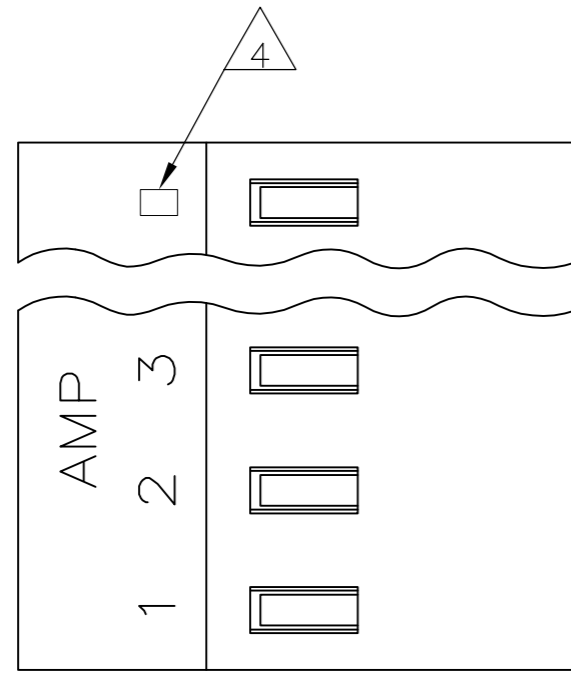


THIS DRAWING IS UNPUBLISHED. RELEASED FOR PUBLICATION
 © COPYRIGHT - By - ALL RIGHTS RESERVED.

LOC	DIST	REVISIONS					
CM	54	P	LTR	DESCRIPTION	DATE	DWN	APVD
		U		REVISED PER ECO-12-007609	03AUG12	KH	SM



95.10	[3.744]	24	5-640435-4
91.14	[3.588]	23	5-640435-3
87.17	[3.432]	22	5-640435-2
83.21	[3.276]	21	5-640435-1
79.25	[3.120]	20	5-640435-0
75.29	[2.964]	19	4-640435-9
71.32	[2.808]	18	4-640435-8
67.36	[2.652]	17	4-640435-7
63.40	[2.496]	16	4-640435-6
59.44	[2.340]	15	4-640435-5
55.47	[2.184]	14	4-640435-4
51.51	[2.028]	13	4-640435-3
47.55	[1.872]	12	4-640435-2
43.59	[1.716]	11	4-640435-1
39.62	[1.560]	10	4-640435-0
35.66	[1.404]	9	3-640435-9
31.70	[1.248]	8	3-640435-8
27.74	[1.092]	7	3-640435-7
23.77	[.936]	6	3-640435-6
19.81	[.780]	5	3-640435-5
15.85	[.624]	4	3-640435-4
11.89	[.468]	3	3-640435-3
7.92	[.312]	2	3-640435-2

7	SUPERSEDED BY 5-640435-4	95.10	[3.744]	24	2-640435-4
	SUPERSEDED BY 5-640435-3	91.14	[3.588]	23	2-640435-3
	SUPERSEDED BY 5-640435-2	87.17	[3.432]	22	2-640435-2
	SUPERSEDED BY 5-640435-1	83.21	[3.276]	21	2-640435-1
	SUPERSEDED BY 5-640435-0	79.25	[3.120]	20	2-640435-0
	SUPERSEDED BY 4-640435-9	75.29	[2.964]	19	1-640435-9
	SUPERSEDED BY 4-640435-8	71.32	[2.808]	18	1-640435-8
	SUPERSEDED BY 4-640435-7	67.36	[2.652]	17	1-640435-7
	SUPERSEDED BY 4-640435-6	63.40	[2.496]	16	1-640435-6
	SUPERSEDED BY 4-640435-5	59.44	[2.340]	15	1-640435-5
	SUPERSEDED BY 4-640435-4	55.47	[2.184]	14	1-640435-4
	SUPERSEDED BY 4-640435-3	51.51	[2.028]	13	1-640435-3
	SUPERSEDED BY 4-640435-2	47.55	[1.872]	12	1-640435-2
	SUPERSEDED BY 4-640435-1	43.59	[1.716]	11	1-640435-1
	SUPERSEDED BY 4-640435-0	39.62	[1.560]	10	1-640435-0
	SUPERSEDED BY 3-640435-9	35.66	[1.404]	9	640435-9
	SUPERSEDED BY 3-640435-8	31.70	[1.248]	8	640435-8
	SUPERSEDED BY 3-640435-7	27.74	[1.092]	7	640435-7
	SUPERSEDED BY 3-640435-6	23.77	[.936]	6	640435-6
	SUPERSEDED BY 3-640435-5	19.81	[.780]	5	640435-5
		15.85	[.624]	4	640435-4
		11.89	[.468]	3	640435-3
		7.92	[.312]	2	640435-2

- 1 MATERIAL: CONNECTOR - NYLON UL94V-2.
CONTACTS - 0.30[.012] THICK COPPER ALLOY
BRIGHT TIN-LEAD 0.00203[.000080] MIN THICK
FOR CONTACT 640435-2 THRU 2-640435-4
MATTE WHISKER MITIGATED TIN 0.00203[.000080]
MIN THICKNESS OVER NICKEL UNDERPLATE FOR
3-640435-2 THRU 5-640435-4
- 2 CONTACTS ACCEPT 26 AWG WIRE WITH 2.41[.095] MAX
INSULATION DIAMETER.
- 3 CONTACTS MUST ACCEPT 1.14±0.03[.045±.001] SQUARE
POST AND REMAIN LOCKED IN POSITION.
- 4 IDENTIFICATION NUMBER FOR LAST CIRCUIT MAY
NOT APPEAR ON ALL ASSEMBLIES.
- 5 DIMENSIONS IN BRACKETS ARE IN INCHES.
- 6 HOUSING FEATURES ARE: CLOSED END WITHOUT
LOCKING RAMP.
- 7 OBSOLETE PARTS: OBSOLETE CIS STREAMLINING PER D.RENAUD/D.SINISI
- 8 BLUE COLOR STRIPE ON HOUSING (NOT SHOWN) MAY RUN DOWN BETWEEN RIBS.

7 SUPERSEDED BY 3-640435-3

THIS DRAWING IS A CONTROLLED DOCUMENT.		DWN B.LEWIS 12-2-91	TE Connectivity		
DIMENSIONS: mm [INCHES]		CHK R.SWING 12-2-91			
TOLERANCES UNLESS OTHERWISE SPECIFIED:		APVD D.CLARK 19-2-91	NAME MTA-156 CONNECTOR ASSEMBLY, 26 AWG, STANDARD		
0 PLC ± - 1 PLC ± - 2 PLC ± - 3 PLC ± 0.13 [.005] 4 PLC ± -		PRODUCT SPEC 108-1051	SIZE A2	CAGE CODE 00779	DRAWING NO 640435
MATERIAL 1		FINISH 1	RESTRICTED TO -	SCALE 4:1	
		CUSTOMER DRAWING		SHEET 1 OF 1	
				REV U	

METRIC