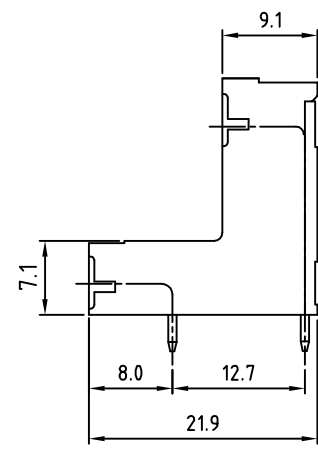
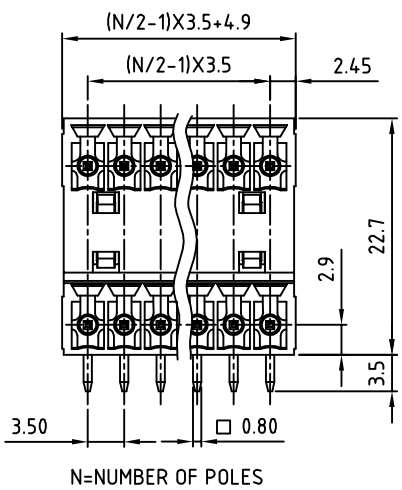
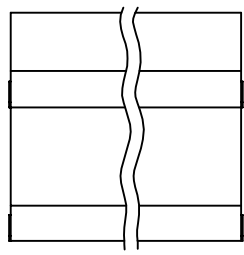


SIGN	DATE	DESCRIPTION	APPROVER



Material

- Contact: Brass With Tin Plated
- Insulator (housing): Thermoplastic (UL94V-0)

Electrical

- Voltage rating: 300VAC
- Current rating: 10A
- Withstanding Voltage: 1.6KV
- Operating temperature: -30°C to +105°C
- Soldering temperature: 250°C±10°C/5 Sec
- Safety Approval:

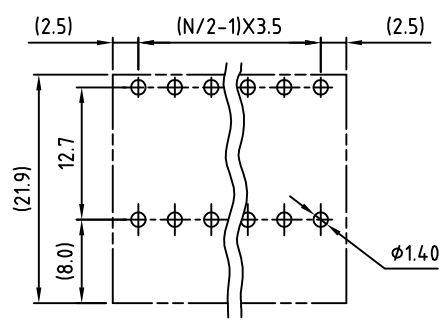
RoHS Compliant

PART NUMBER:

OSTVOXX1151

- No. of Poles →
- 04: 2x02 Poles
 - 06: 2x03 Poles
 - : :
 - 48 2x24 Poles
- COLOR
- 0: Black
 - 5: Green (Standard)
 - 6: Blue
 - 8: Grey

P.C.B LAYOUT



THESE DRAWINGS AND SPECIFICATIONS ARE THE PROPERTY OF ON-SHORE TECHNOLOGY, INC. AND SHALL NOT BE REPRODUCED, COPIED OR USED IN ANY MANNER WITHOUT THE PRIOR WRITTEN CONSENT OF ON-SHORE TECHNOLOGY, INC.



TITLE		OSTV0-3.50mm Series closed right-angle 2x2p-2x24p				
PART NO.	OSTVOXX1151	DWG NO.		OSTVOXX1151.DWG		
APPROVED	CHECKED	DESIGNED	DRAWN	CUST NO.	Tolerance	
Shi Jun 2006.10.23	Marvin 2006.10.23	Marvin 2006.10.23	Marvin 2006.10.23		UNIT: mm	X. ±0.50
					SCALE: NONE	X.X ±0.30
				SHEET: 01/01	REV: D	X.XX ±0.10
						X° ±1°