

**SERIES:** VSCP-2K4 | **DESCRIPTION:** AC-DC POWER SUPPLY

**FEATURES**

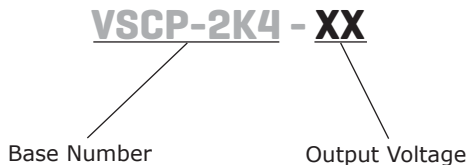
- up to 2,400 W continuous power
- universal input (90~260 Vac / 130~370 Vdc)
- single output from 9~60 V
- programmable output voltage
- active power correction (98%)
- current sharing capable
- power good, remote sense, remote on/off control
- built-in DC fan
- over load, over voltage, over temperature, and short circuit protections
- UL and TUV safety approvals
- efficiency up to 90%



MODEL	output voltage <sup>1</sup>	output current <sup>2</sup>	output power	ripple and noise <sup>3</sup>	efficiency
	(Vdc)	max (A)	max (W)	max (mVp-p)	typ (%)
VSCP-2K4-09	9	133 / 266	2,400	90	83
VSCP-2K4-12	12	100 / 200	2,400	120	84
VSCP-2K4-15	15	80 / 160	2,400	150	85
VSCP-2K4-18	18	66 / 133.3	2,400	150	85
VSCP-2K4-24	24	50 / 100	2,400	150	88
VSCP-2K4-36	36	33 / 66.6	2,400	150	88
VSCP-2K4-48	48	25 / 50	2,400	150	89
VSCP-2K4-60	60	20 / 40	2,400	150	90

Notes: 1. output voltage is measured at output power connector  
 2. maximum current is measured at 100~120 V input / 200~240 V input  
 3. ripple and noise is measured from 10 kHz to 20 MHz at output terminals with 0.1 μF ceramic capacitor and a 22 μF electrolytic capacitor in parallel

**PART NUMBER KEY**



**INPUT**

parameter	conditions/description	min	typ	max	units
voltage		90 130		260 370	Vac Vdc
frequency		47		63	Hz
current	at 230 Vac		13.5		A
inrush current			180		A
power factor correction	at 230 Vac, full load		0.98		

**OUTPUT**

parameter	conditions/description	min	typ	max	units
line regulation				±1	%
load regulation				±1	%
temperature coefficient	0 ~ 50°C		±0.04		%/°C
hold-up time	230 Vac at full load			12	ms
adjustability	adjustable with built-in trim pot	-8		+3	%
programming	output voltage programmable through external 1 ~ 5 V control voltage on VCI. Control voltage can also be obtained from VCO via a 470 KΩ pot. see application diagrams	25		100	%
remote sense	Designated as (VS+) and (VS-). Total voltage compensation from cable losses with respect to the main output.				
remote inhibit	Designated as (INH), requires a low signal to inhibit the output.				
current sharing	Designated as (PAR), use in parallel for forced current sharing function.				

**PROTECTION**

parameter	conditions/description	min	typ	max	units
over voltage protection		110		135	%
over current protection <sup>1</sup>	current limiting 3 times with auto recovery before shutdown	115		130	%

Notes: 1. Protection mode sends a pulse, waits 1.5 seconds, sends second pulse, waits 3 seconds, sends third pulse, waits 5 seconds. If overload is still present, the unit will shutdown.

**SAFETY & COMPLIANCE**

parameter	conditions/description	min	typ	max	units
safety approvals	TUV EN 60950, UL/cUL 1950				
EMI/EMC	EN 55022, EN 61000-4-(2,3,4,5,6,8,11), EN 61000-3-(2,3), ENV50204				
leakage current	at 240 Vac			10.5	mA
RoHS compliant	yes				

**ENVIRONMENTAL**

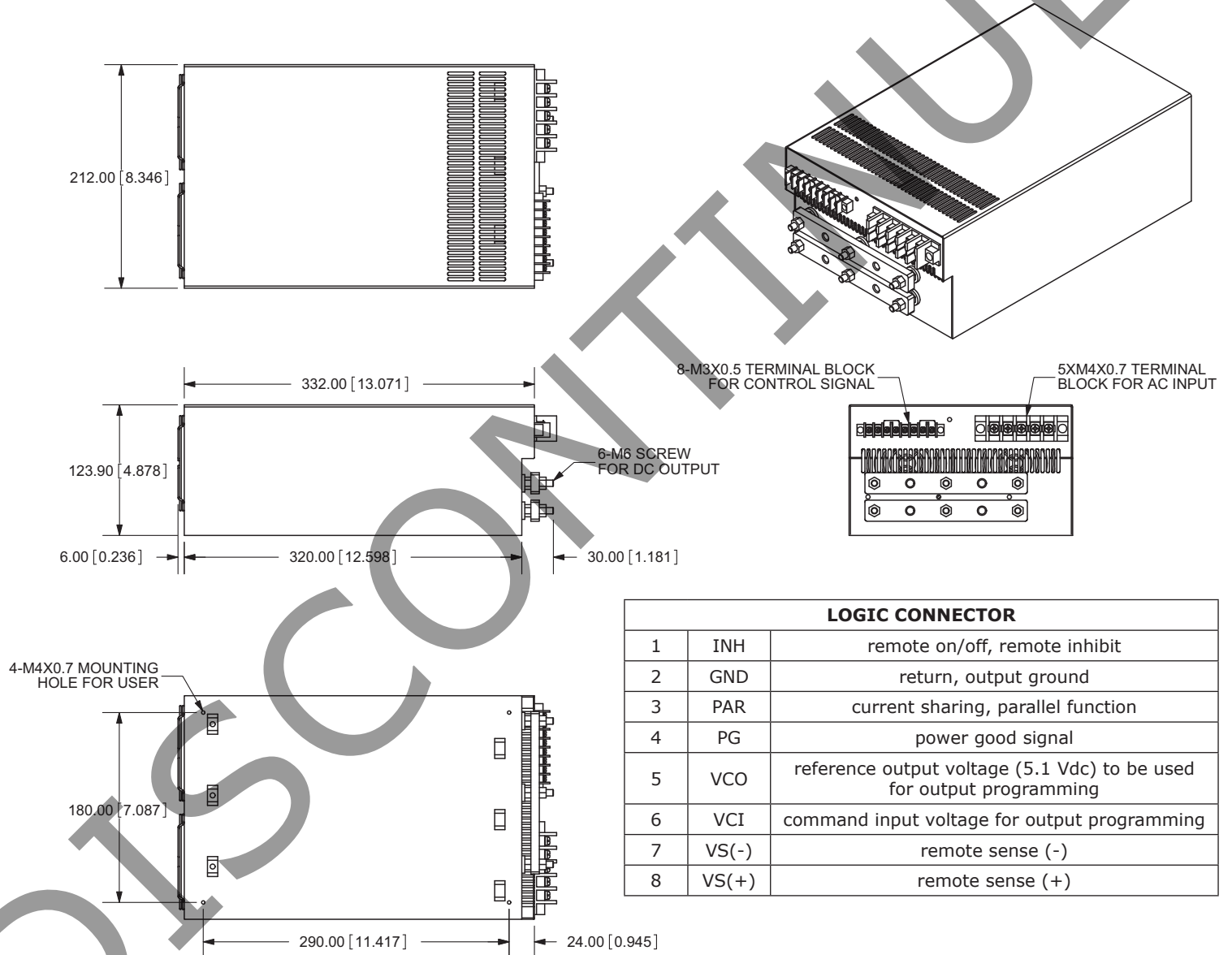
parameter	conditions/description	min	typ	max	units
operating temperature	see derating curves	0		65	°C
storage temperature		-20		85	°C
operating humidity		20		90	%
storage humidity		10		95	%
vibration	10~200Hz, 10min/cycle, 60 min for each axis			2	G

## MECHANICAL

parameter	conditions/description	min	typ	max	units
weight			8.9		Kg
dimensions	332 x 212 x 123.9 (13.071 x 8.346 x 4.878 mm)				inch

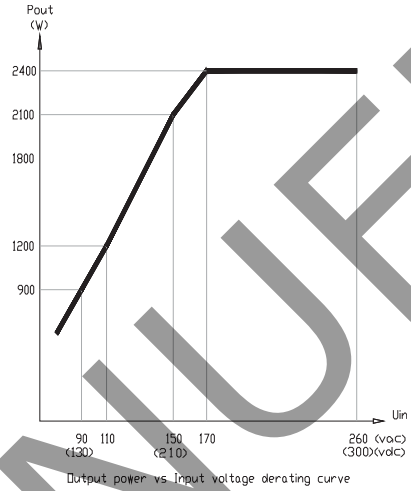
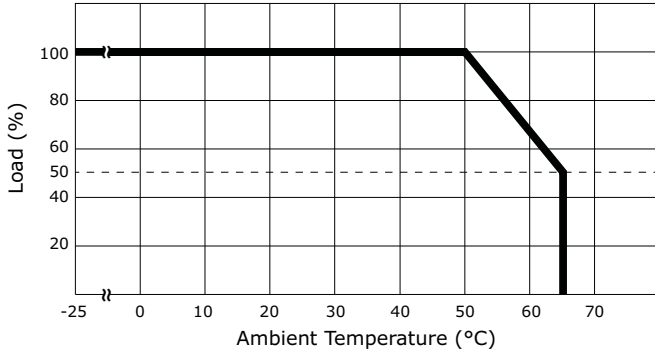
## MECHANICAL DRAWING

units: mm[inch]  
tolerance: ±1.0mm unless otherwise specified



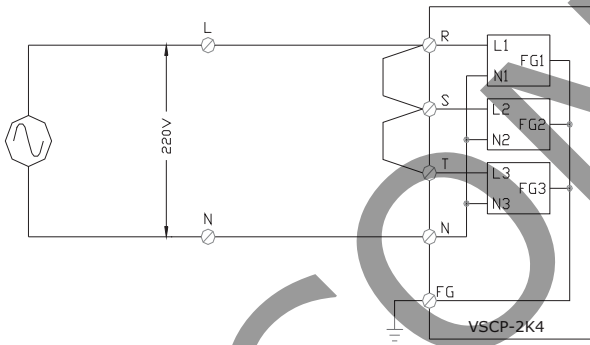
LOGIC CONNECTOR		
1	INH	remote on/off, remote inhibit
2	GND	return, output ground
3	PAR	current sharing, parallel function
4	PG	power good signal
5	VCO	reference output voltage (5.1 Vdc) to be used for output programming
6	VCI	command input voltage for output programming
7	VS(-)	remote sense (-)
8	VS(+)	remote sense (+)

## DERATING CURVES



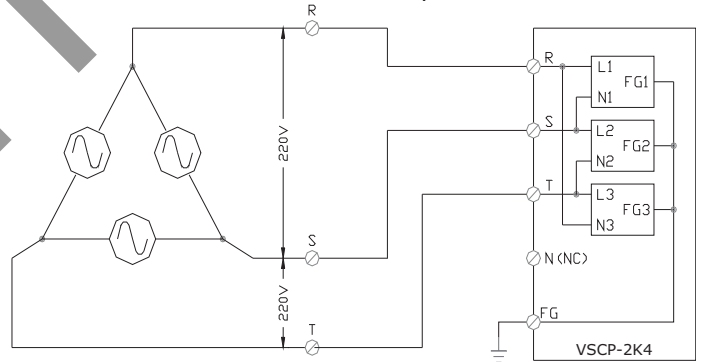
## WIRING CONFIGURATIONS

Standard



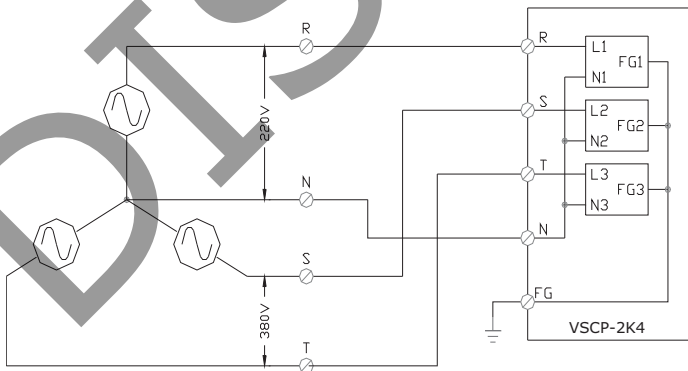
1Ø 220VAC SYSTEM

Optional



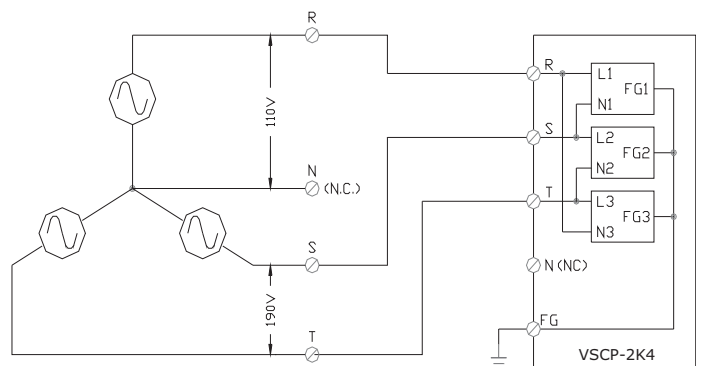
3Ø 3W 220VAC SYSTEM

Optional



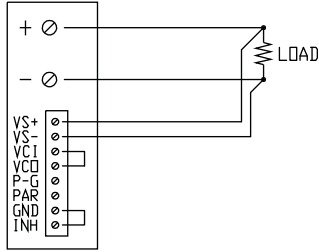
3Ø 4W 220/380VAC SYSTEM

Optional

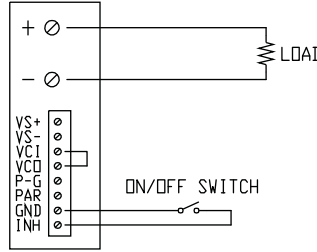


3Ø 4W 110/190VAC SYSTEM

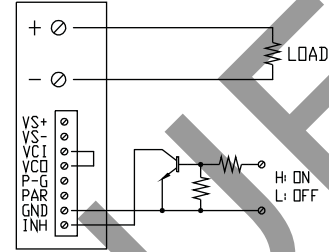
## LOGIC CONNECTIONS



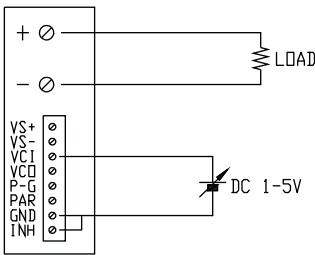
REMOTE SENSING



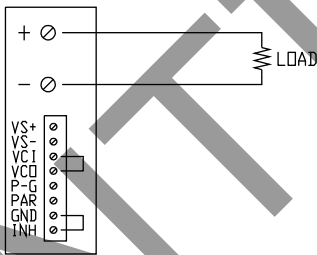
ON/OFF CONTROL BY SWITCH



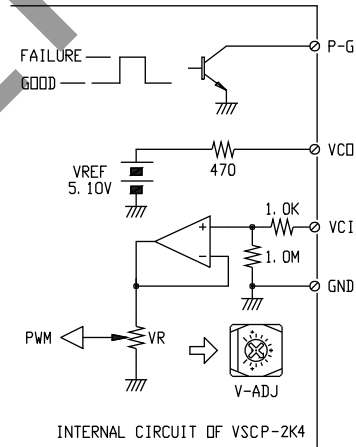
ON/OFF CONTROL BY TRANSISTOR



OUTPUT VOLTAGE ADJUST WITH DC 1-5V

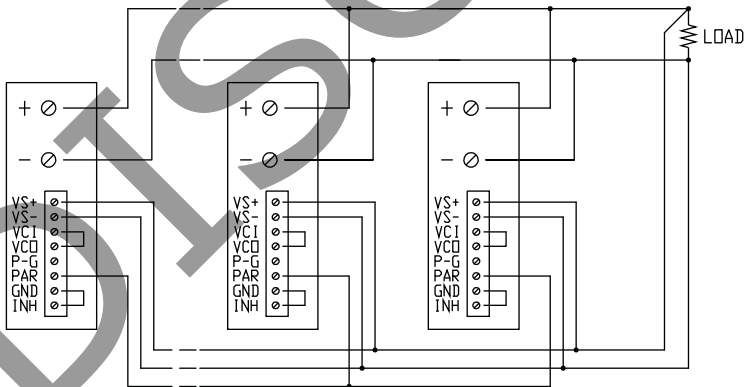


USING INTERNAL VOLTAGE CONTROL

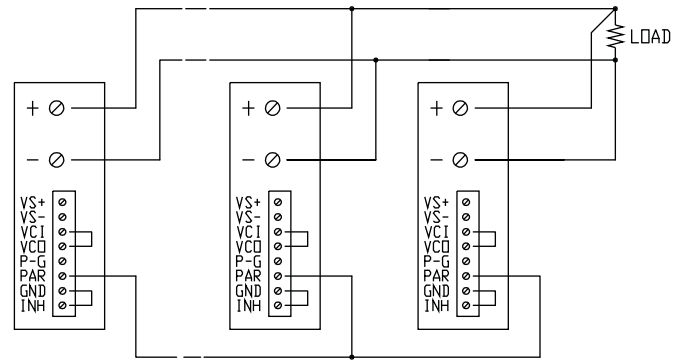


INTERNAL CIRCUIT OF VSCP-2K4

VCI, VCD AND P-G SIGNAL



PARALLEL OPERATION WITH REMOTE SENSING



PARALLEL OPERATION WITHOUT REMOTE SENSING

## REVISION HISTORY

rev.	description	date
1.0	initial release	08/20/2007
1.01	applied new spec template	08/07/2008
1.02	applied new spec template, corrected over current protection	09/26/2011
1.03	spec updated	02/13/2012
1.04	V-Infinity branding removed	08/28/2012

The revision history provided is for informational purposes only and is believed to be accurate.



**Headquarters**  
20050 SW 112th Ave.  
Tualatin, OR 97062  
**800.275.4899**

Fax 503.612.2383  
**cui.com**  
techsupport@cui.com

CUI offers a two (2) year limited warranty. Complete warranty information is listed on our website.

CUI reserves the right to make changes to the product at any time without notice. Information provided by CUI is believed to be accurate and reliable. However, no responsibility is assumed by CUI for its use, nor for any infringements of patents or other rights of third parties which may result from its use.

CUI products are not authorized or warranted for use as critical components in equipment that requires an extremely high level of reliability. A critical component is any component of a life support device or system whose failure to perform can be reasonably expected to cause the failure of the life support device or system, or to affect its safety or effectiveness.