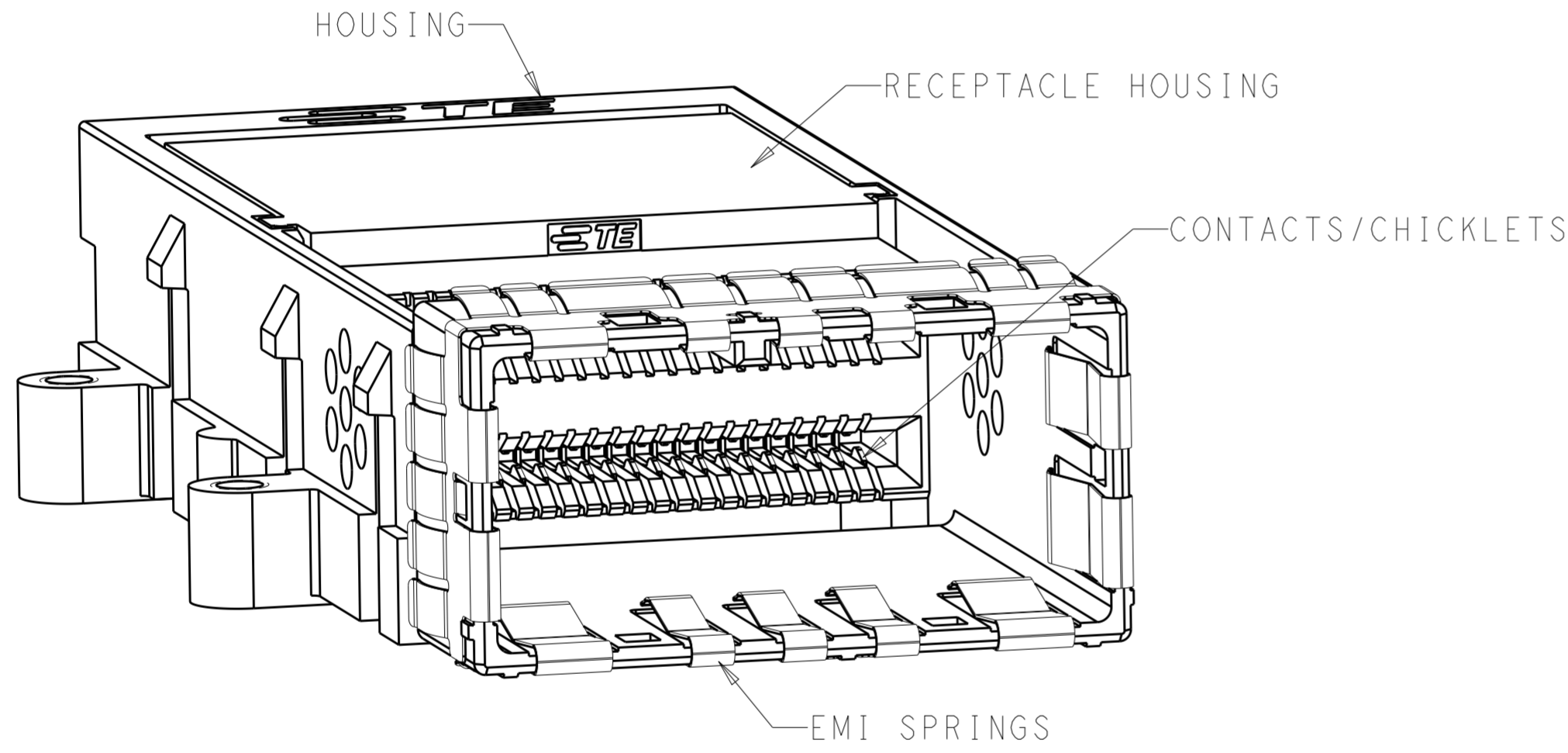


THIS DRAWING IS UNPUBLISHED. RELEASED FOR PUBLICATION 20
 © COPYRIGHT 20 BY - ALL RIGHTS RESERVED.

LOC	DIST	REVISIONS					
GP	00	P	LTR	DESCRIPTION	DATE	DWN	APVD
			10	OBSOLETE 2149701-2	21SEP2011	MEC	MDM
			11	REVISED	11SEP2012	MEC	MDM

- MATERIALS:
 HOUSING - NICKEL PLATED ZINC ALLOY PER ASTM B 240
 RECEPTACLE HOUSING - LCP, BLACK, UL 94V-O RATED
 CHICKLET - LCP, BLACK, UL 94V-O RATED
 CONTACT - PHOSPHOR BRONZE PER ASTM B 103
 EMI SPRING - COPPER ALLOY
- CONTACT FINISH:
 CONFORMS TO THE REQUIREMENTS OF TYCO ELECTRONICS
 PRODUCT SPECIFICATION 108-2426, BASED ON EIA/ECA-364-1000.01A,
 (CONTROLLED ENVIRONMENT APPLICATIONS) ON MATING INTERFACE,
 TIN ON NEEDLE EYE
- NOTE DELETED
- MOUNTING HARDWARE REQUIRED:
 M2X0.4 (4): MOUNTING SCREW LENGTH = BOARD THICKNESS + 8mm MAX
- THE ENTIRE AREA OF THE CONNECTOR FOOTPRINT, INDICATED
 BY CROSSHATCHING, TO BE CONSIDERED THE KEEPOUT AREA FOR
 COMPONENTS AND SIGNAL TRACES, TOP SIDE ONLY, TOP SIDE
 TRACES ALLOWED WITHIN CONNECTOR HOLE PATTERN, CROSSHATCHING
 TO BE CONDUCTIVE
- PCB THICKNESS = 1.44 MIN



2149701-1
 SCALE 5:1

OBSOLETE

△3	84 POSITION RECEPTACLE ASSEMBLY	2149701-2
△2	84 POSITION RECEPTACLE ASSEMBLY	2149701-1
FINISH	DESCRIPTION	PART NUMBER

PRELIMINARY PART- NOT RELEASED FOR PRODUCTION

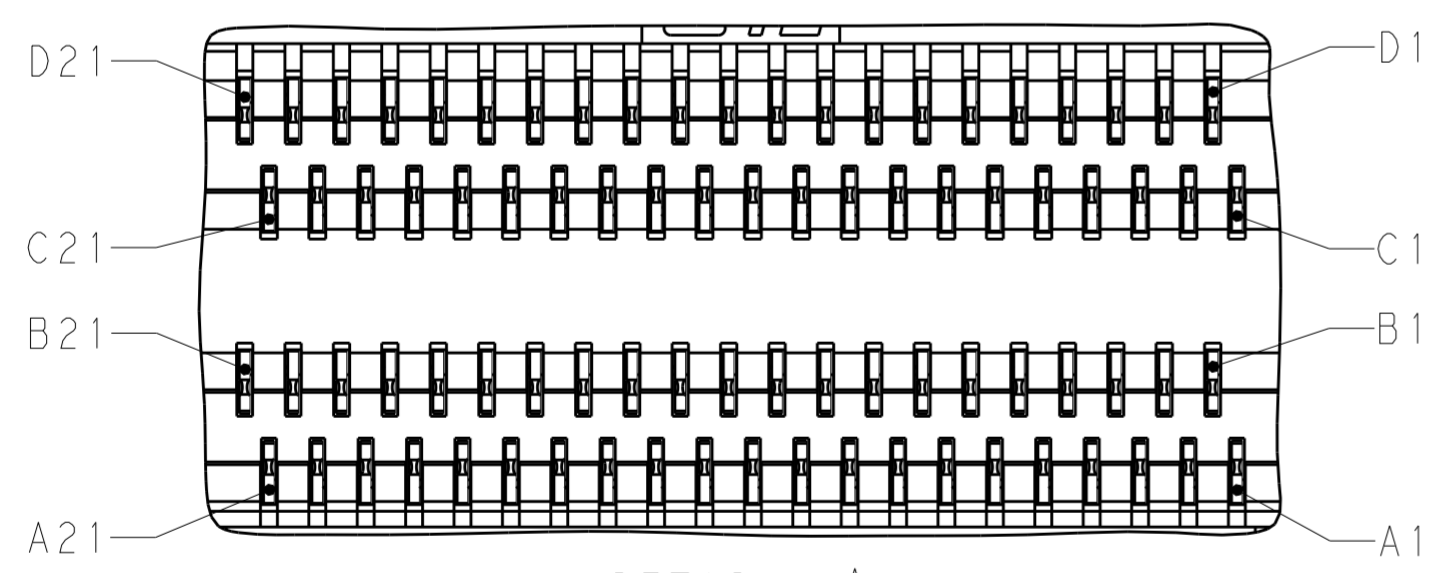
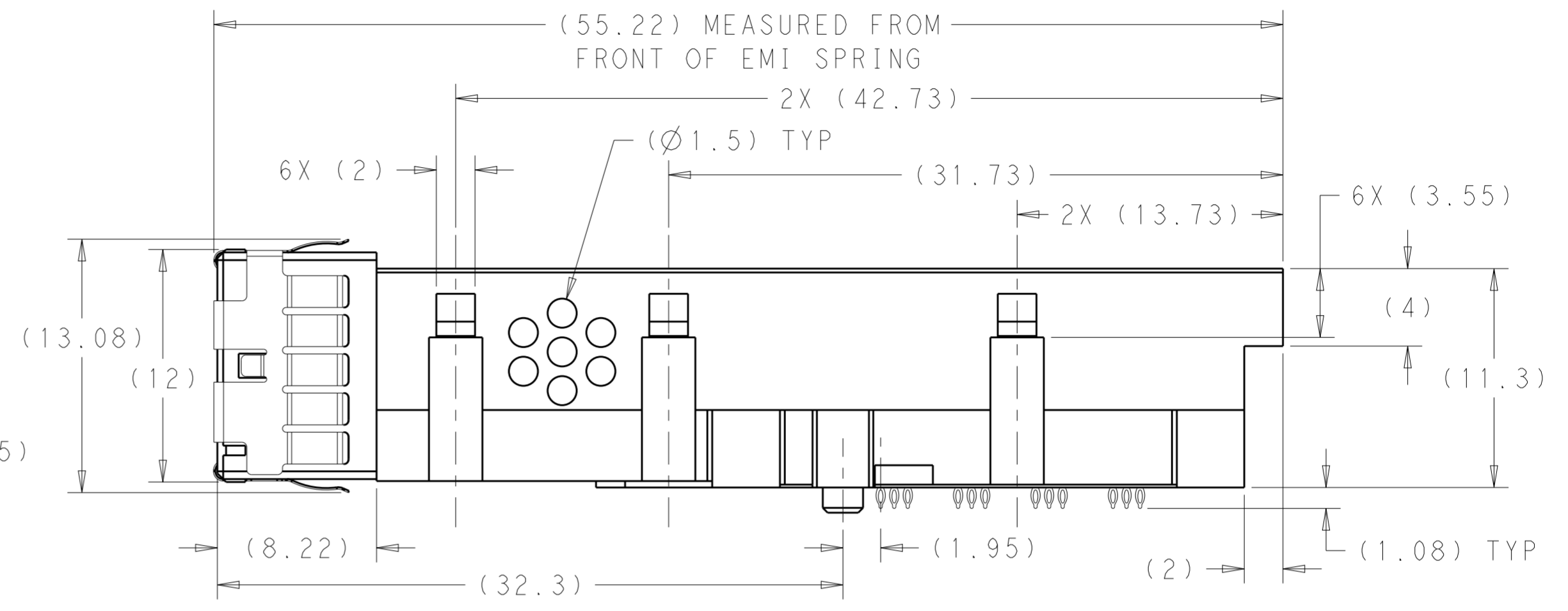
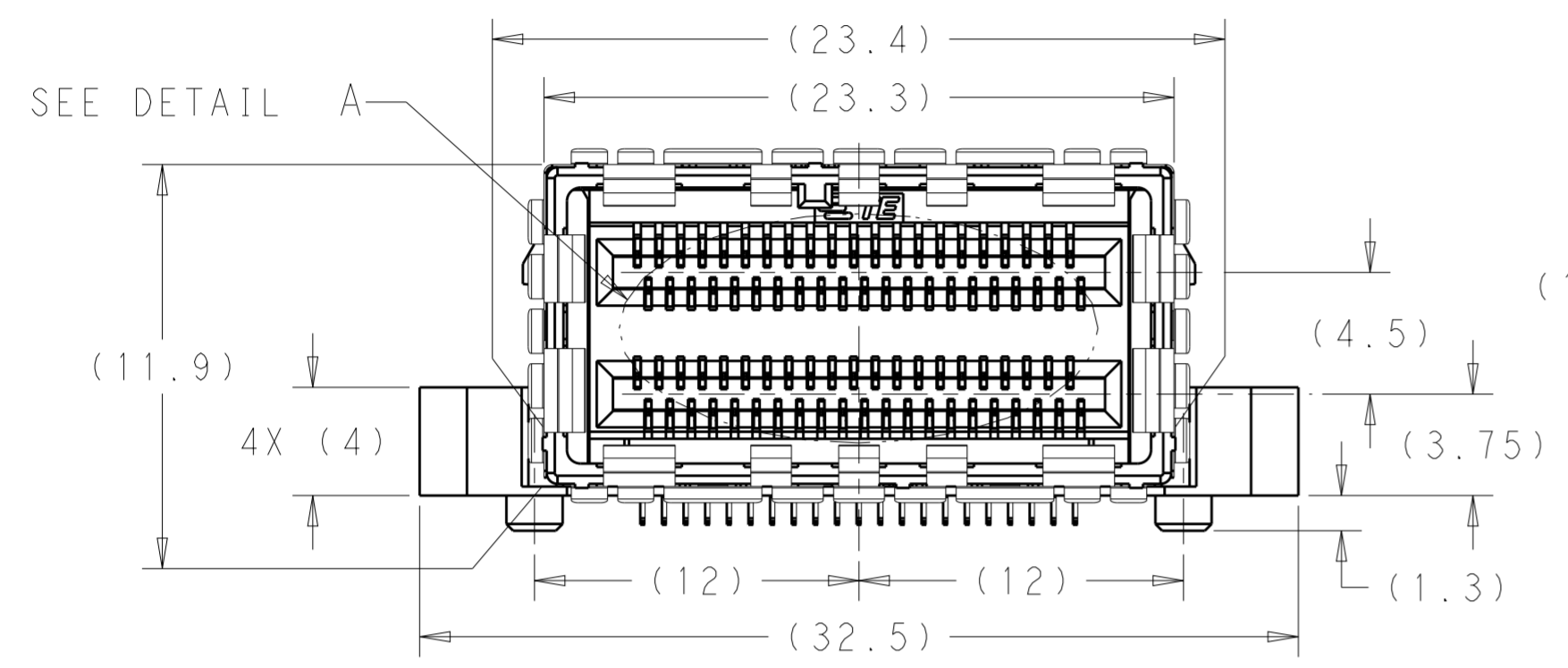
THIS DRAWING IS A CONTROLLED DOCUMENT.

DIMENSIONS: mm	TOLERANCES UNLESS OTHERWISE SPECIFIED: 0 PLC ±0.2 1 PLC ±0.1 2 PLC ±0.05 3 PLC ± 4 PLC ± ANGLES ±1° FINISH	DWN M.E. COWHERD 27SEP2010 CHK M.D. MORRISON 28SEP2010 APVD M.D. MORRISON 28SEP2010	NAME RECEPTACLE ASSEMBLY, BELLY-BELLY, STANDARD, 84 POSITION, CXP
MATERIAL	SEE NOTES	PRODUCT SPEC - APPLICATION SPEC - WEIGHT -	SIZE A200779 CAGE CODE C-2149701
SEE NOTES	SEE NOTES	CUSTOMER DRAWING	RESTRICTED TO -

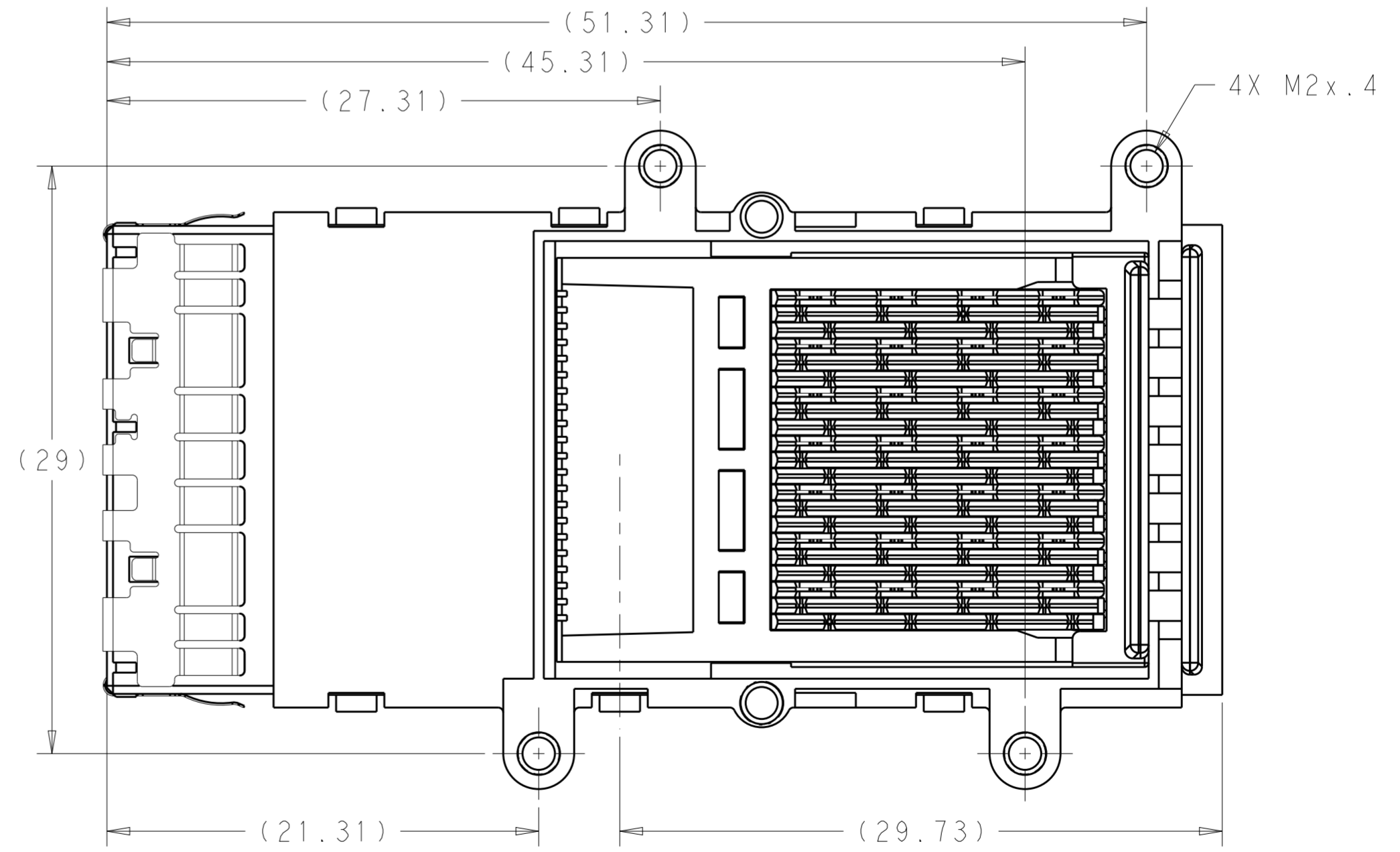
SCALE 1:1 SHEET 1 OF 4 REV 11

THIS DRAWING IS UNPUBLISHED. RELEASED FOR PUBLICATION 20
 © COPYRIGHT 20 BY - ALL RIGHTS RESERVED.

LOC	DIST	REVISIONS			
P	LTR	DESCRIPTION	DATE	DWN	APVD
GP	00	SEE SHEET 1	-	-	-



DETAIL A
 RECOMMENDED PIN CALLOUT
 SCALE 8:1



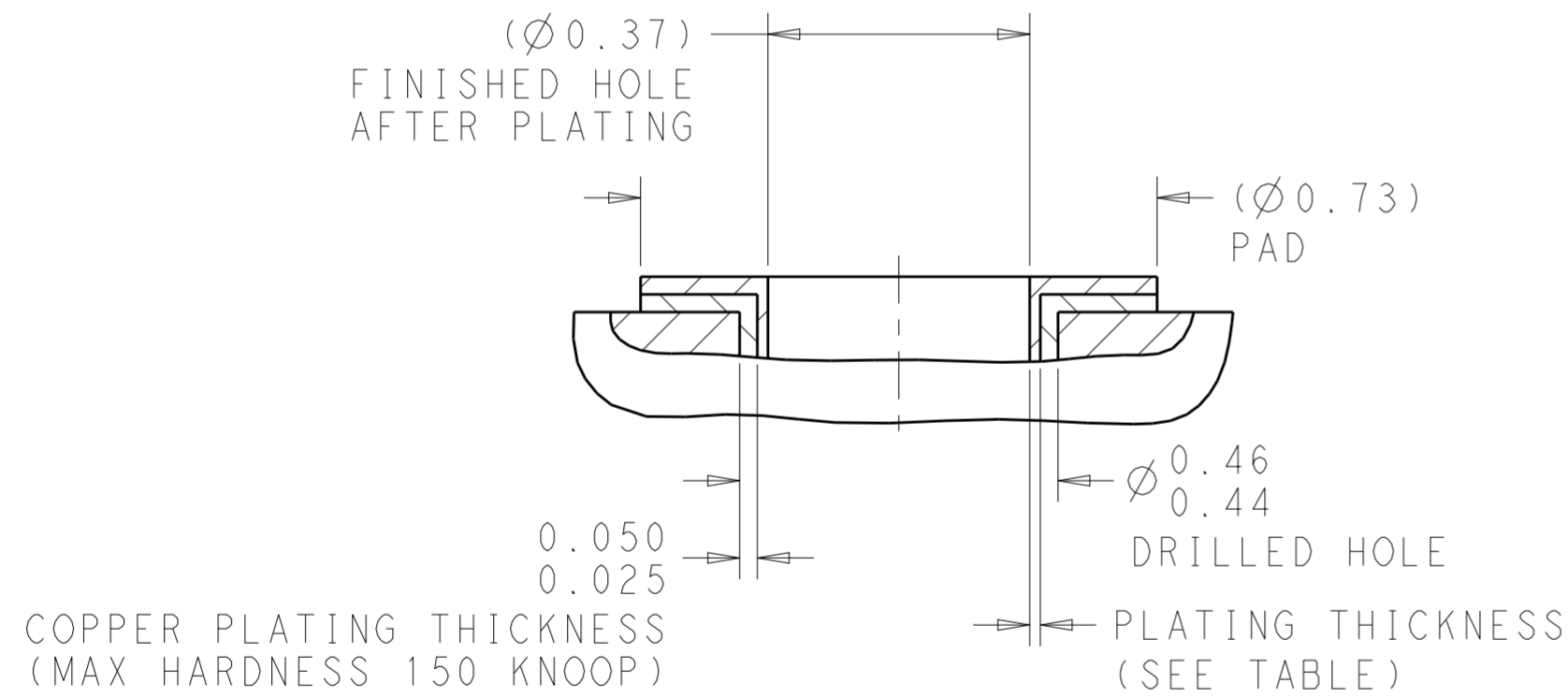
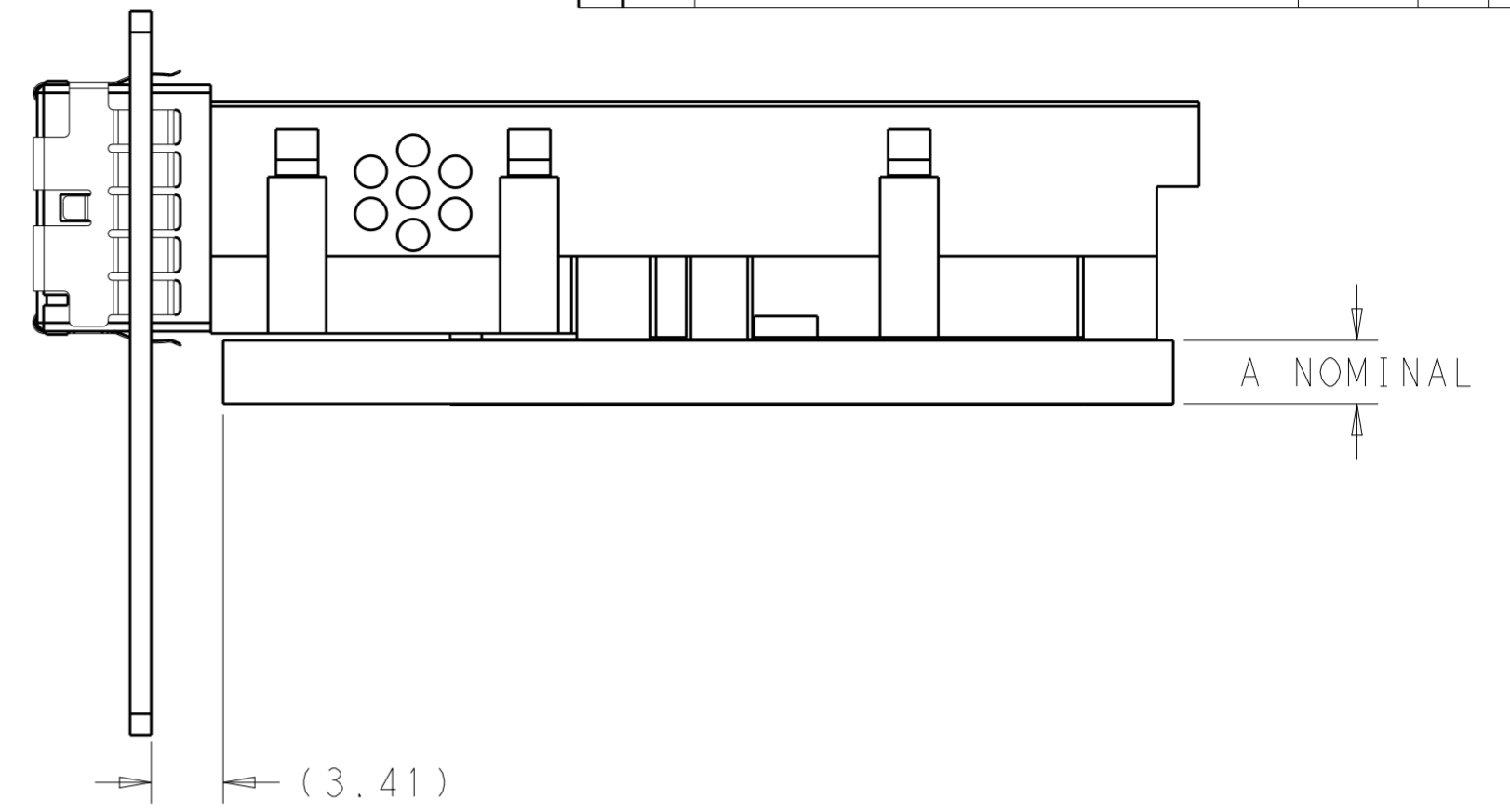
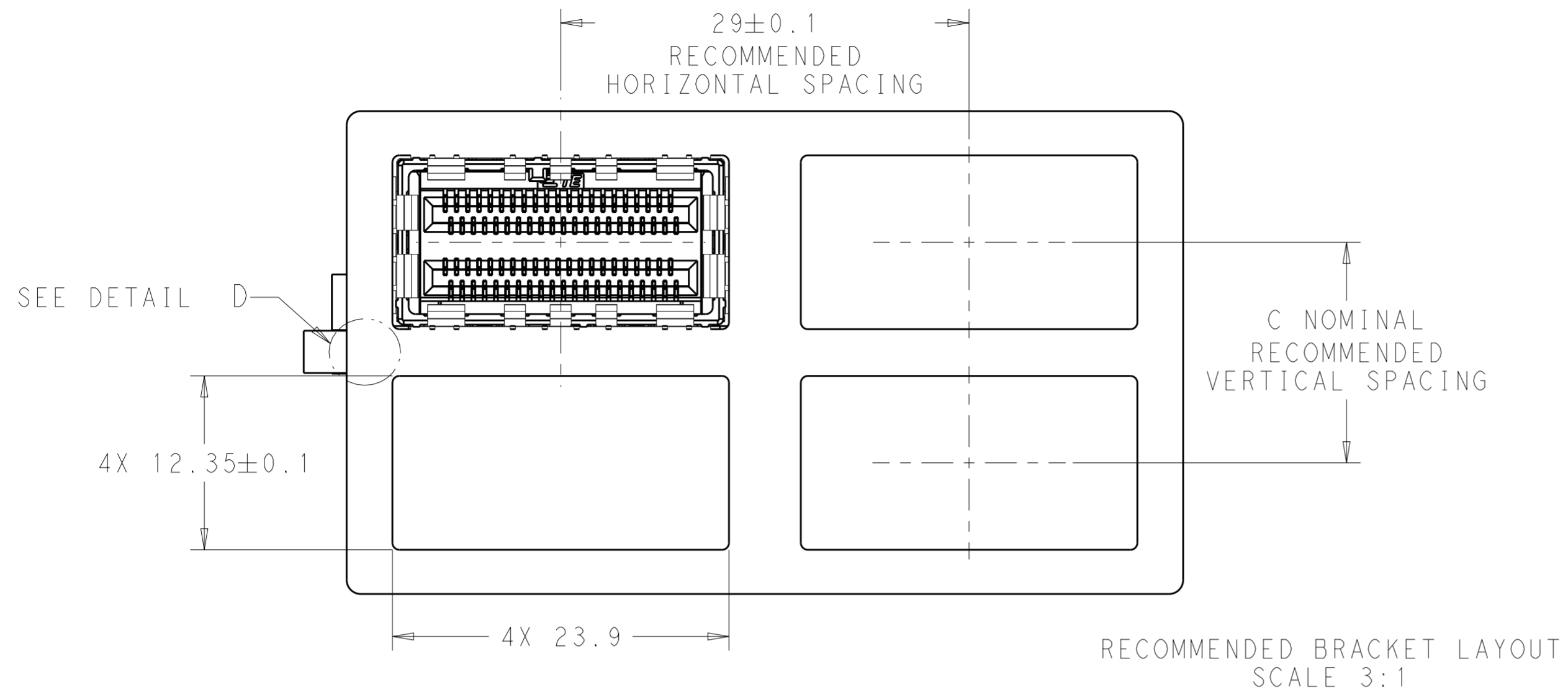
2149701-1
 SCALE 4:1

PRELIMINARY PART- NOT RELEASED FOR PRODUCTION

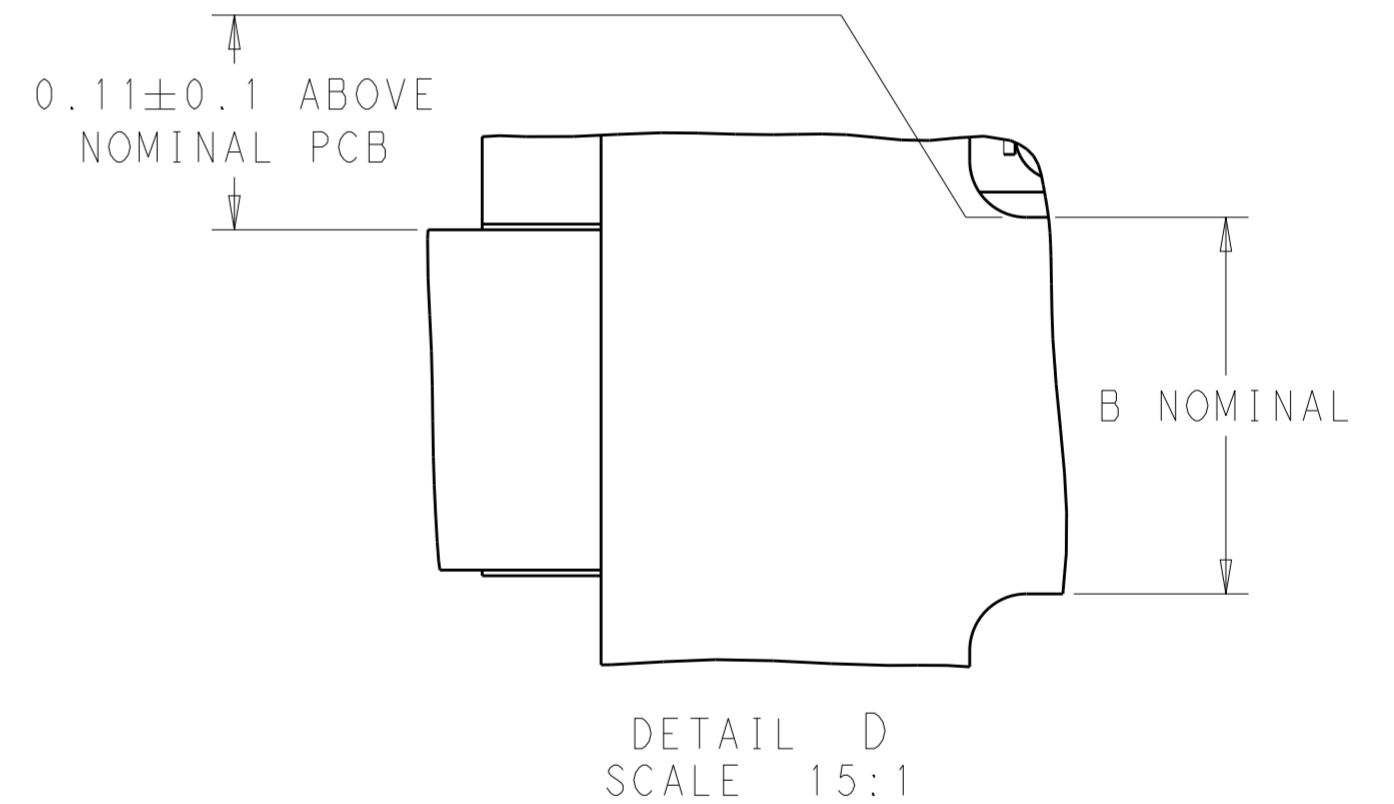
THIS DRAWING IS A CONTROLLED DOCUMENT.		DWN M. E. COWHER 27SEP2010	 TE Connectivity	NAME RECEPTACLE ASSEMBLY, BELLY-BELLY, STANDARD, 84 POSITION, CXP		
DIMENSIONS: mm		CHK M. D. MORRISON 28SEP2010		SIZE	CAGE CODE	DRAWING NO
TOLERANCES UNLESS OTHERWISE SPECIFIED: 0 PLC ±0.2 1 PLC ±0.1 2 PLC ±0.05 3 PLC ± 4 PLC ± ANGLES ±1° FINISH		APVD M. D. MORRISON 28SEP2010		A200779		©-2149701
MATERIAL SEE NOTES		PRODUCT SPEC APPLICATION SPEC WEIGHT		RESTRICTED TO		SCALE 1:1 SHEET 2 OF 4 REV 11

THIS DRAWING IS UNPUBLISHED. RELEASED FOR PUBLICATION 20
 © COPYRIGHT 20 BY - ALL RIGHTS RESERVED.

LOC	DIST	REVISIONS					
GP	00	P	LTR	DESCRIPTION	DATE	DWN	APVD
		-		SEE SHEET 1			



RECOMMENDED HOLE DIMENSIONS FOR SIGNAL CONTACTS
SCALE 100:1



PRELIMINARY PART- NOT RELEASED FOR PRODUCTION

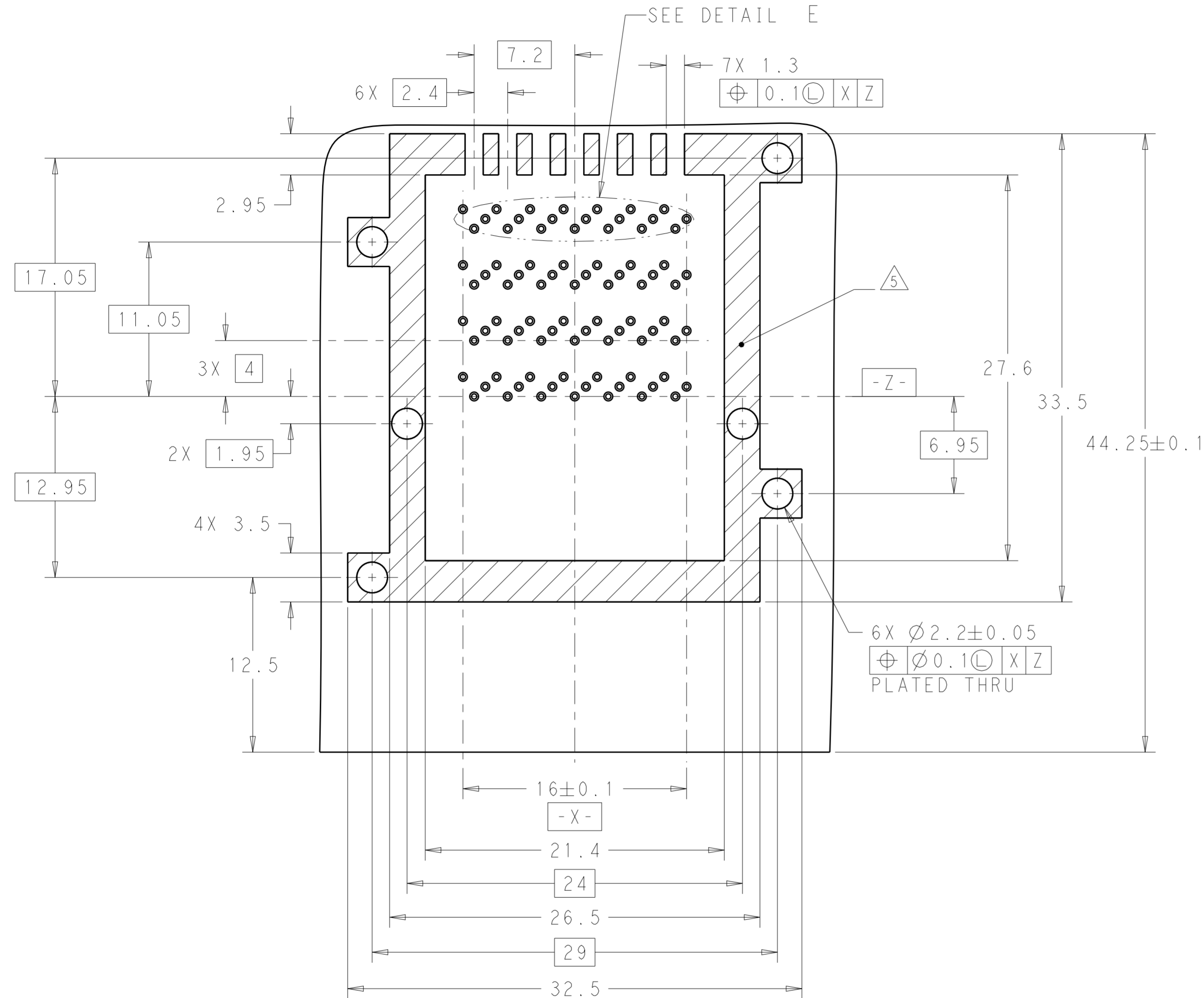
PLATING THICKNESS	TYPE OF PLATING
0.004-0.01	HOT AIR SOLDER LEVELING (HASL) TIN-LEAD
0.0005-0.002	IMMERSION TIN
0.0002-0.0005	ORGANIC SOLDERABILITY PRESERVATIVE (OSP)
0.0001-0.0005 Au, 0.004-0.0076 Ni	IMMERSION GOLD OVER NICKEL (ENIG)
0.0001-0.0005	IMMERSION SILVER

12.57+A	0.22+A	PCB THICKNESS
C	B	A

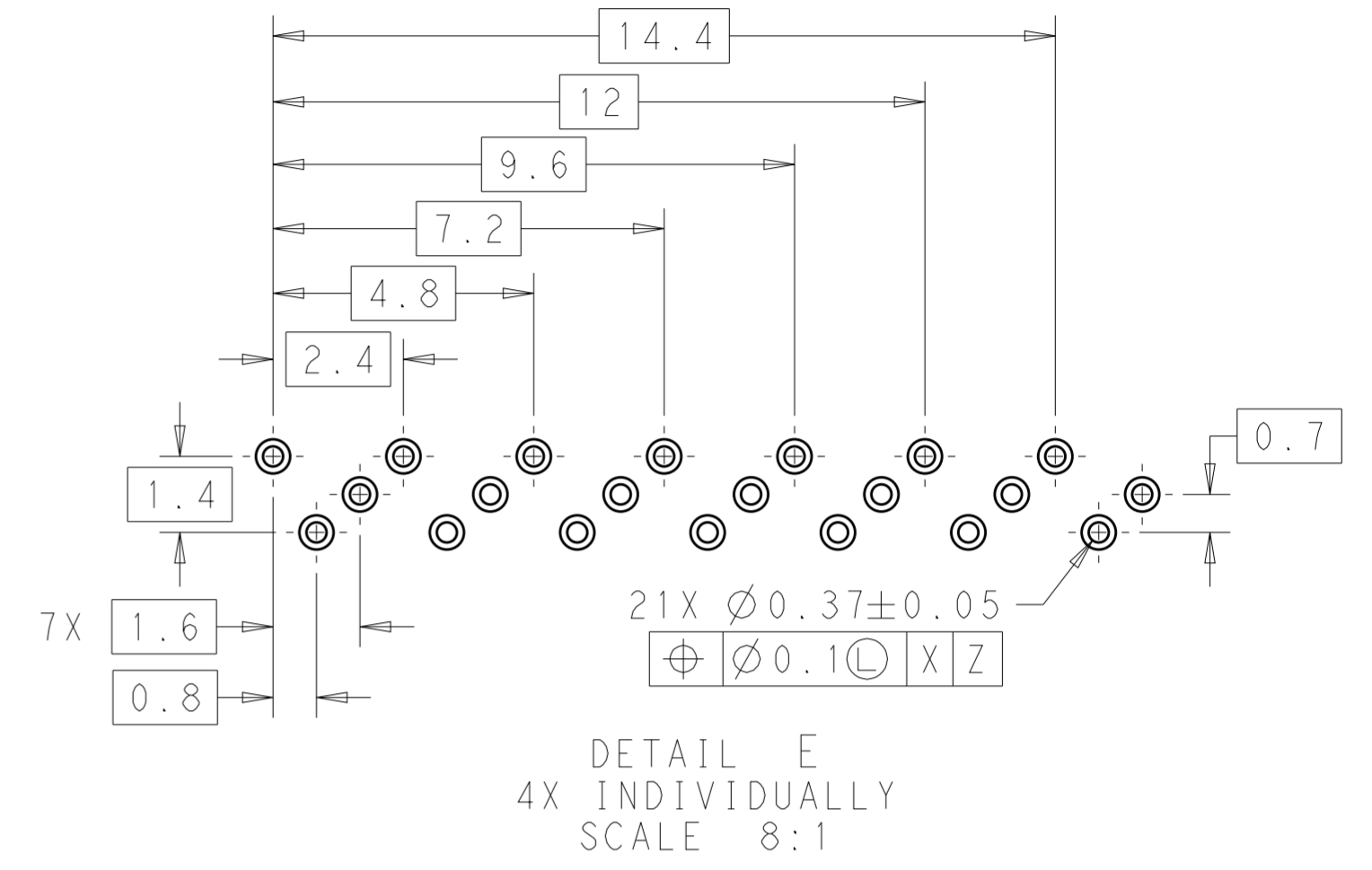
THIS DRAWING IS A CONTROLLED DOCUMENT.		DWN M. E. COWHER 27SEP2010	TE Connectivity	
DIMENSIONS: mm		CHK M. D. MORRISON 28SEP2010		
TOLERANCES UNLESS OTHERWISE SPECIFIED:		APVD M. D. MORRISON 28SEP2010	NAME RECEPTACLE ASSEMBLY, BELLY-BELLY, STANDARD, 84 POSITION, CXP	
0 PLC ±0.2 1 PLC ±0.1 2 PLC ±0.05 3 PLC ± 4 PLC ± ANGLES ±1° FINISH		PRODUCT SPEC -	SIZE A200779	
MATERIAL SEE NOTES		APPLICATION SPEC -	DRAWING NO C-2149701	
SEE NOTES		WEIGHT -	RESTRICTED TO -	
CUSTOMER DRAWING		SCALE 1:1		SHEET 3 OF 4
				REV 11

THIS DRAWING IS UNPUBLISHED. RELEASED FOR PUBLICATION 20
 © COPYRIGHT 20 BY - ALL RIGHTS RESERVED.

LOC	DIST	REVISIONS					
GP	00	P	LTR	DESCRIPTION	DATE	DWN	APVD
		-		SEE SHEET 1			



RECOMMENDED PCB LAYOUT
 COMPONENT SIDE SHOWN
 SCALE 4:1



PRELIMINARY PART- NOT RELEASED FOR PRODUCTION

THIS DRAWING IS A CONTROLLED DOCUMENT.		DWN M. E. COWHER 27SEP2010	TE Connectivity	
DIMENSIONS: mm		CHK M. D. MORRISON 28SEP2010		
TOLERANCES UNLESS OTHERWISE SPECIFIED:		APVD M. D. MORRISON 28SEP2010	NAME RECEPTACLE ASSEMBLY, BELLY-BELLY, STANDARD, 84 POSITION, CXP	
0 PLC ±0.2 1 PLC ±0.1 2 PLC ±0.05 3 PLC ± 4 PLC ± ANGLES ±1° FINISH		PRODUCT SPEC -	RESTRICTED TO -	
MATERIAL		APPLICATION SPEC -	SIZE A200779	CAGE CODE C-2149701
SEE NOTES		WEIGHT -	DRAWING NO C-2149701	
SEE NOTES		CUSTOMER DRAWING	SCALE 1:1	SHEET 4 OF 4