

5

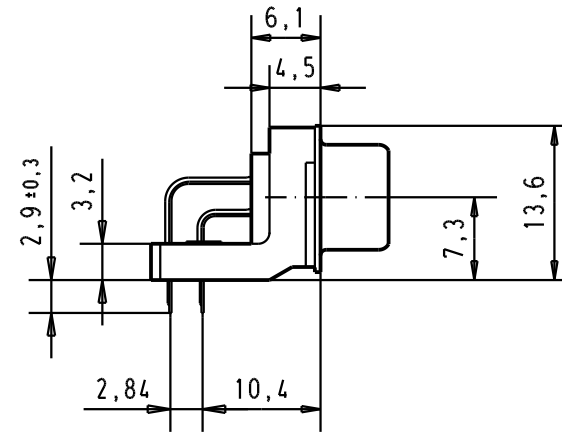
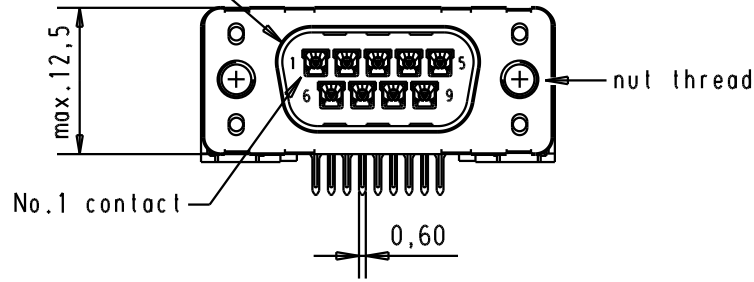
4

3

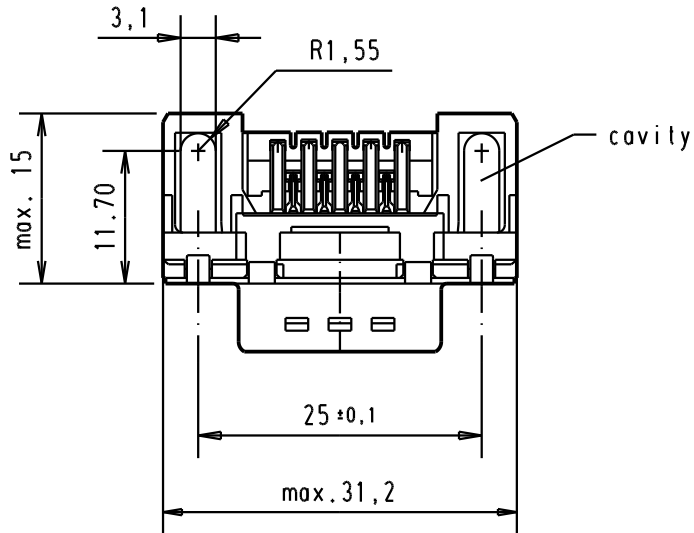
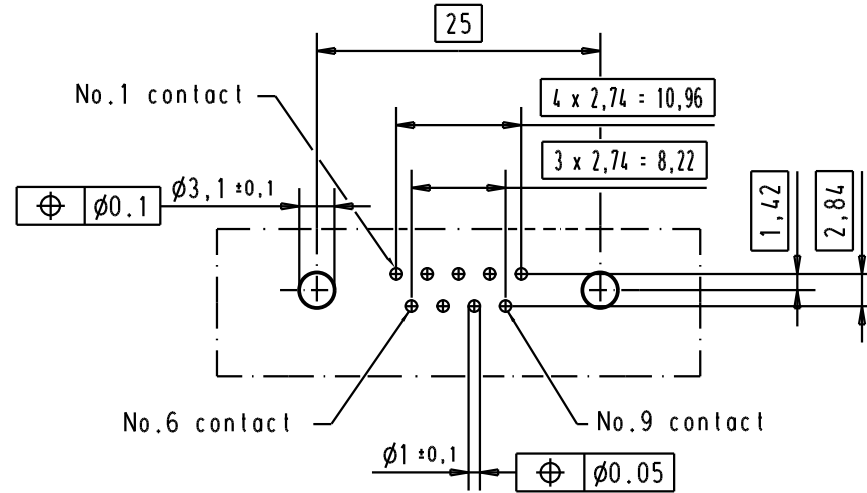
2

1

Mating face according to : MIL-C-24308 / DIN 41652 / CECC 75301-802

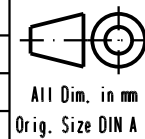


PCB layout component side



09 65 123 3801	M3	1								
09 65 123 6801	M3	2								
09 65 123 7801	M3	3	31892	22/04/04	JH	Detail.	13/dec/00	ALSPACE		
09 65 123 3802	4-40 UNC	1	29773	18-APR-02	CV	Insp.				
09 65 123 6802	4-40 UNC	2	29689	02/07/01	AA	Stand.				
09 65 123 7802	4-40 UNC	3	27960	13/dec/00	ALSPACE					
Part number	Nut thread	Performance level	Mod.	Dat.	Name					

HARTING EURL
F-95972 Paris



D-Sub, male, standard angle,
09 poles, with solder pin,
nut and hole

TB 0965123x80x

Sub.

Moßstab/
Scale
1.5:1

Blatt/ Page
2