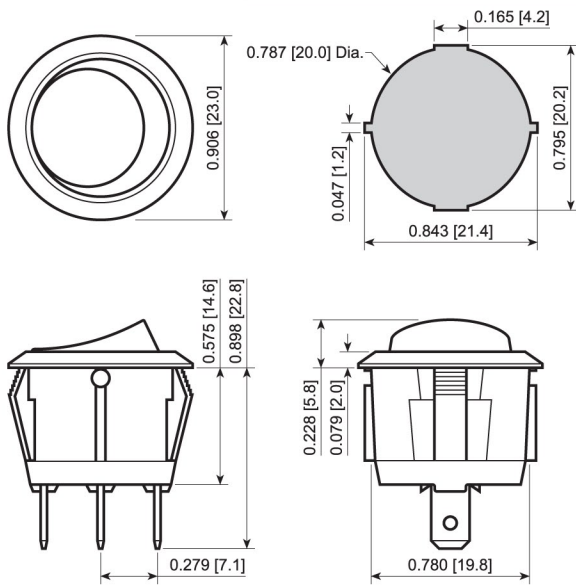


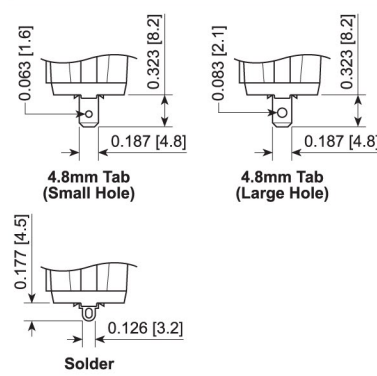
# RRG3 Series



## Panel Cutout



## Terminal Options



## FEATURES:

- Aesthetically Designed
- High Ratings with UL and VDE Approvals
- Single Pole With Many Functions
- Glossy Finish

## SPECIFICATIONS:

**RATING:** RATING OPTION C:

- 16A 125VAC [UL, cUL]
- 10A 250VAC [UL, cUL]
- 1/3HP 125/250VAC [UL, cUL]
- 10(4)A 250V~ 1E4 T125/55 [VDE]

**RATING OPTION 3:**

- 10A 125VAC [UL, cUL]
- 6A 250VAC [UL, cUL]
- 6A 250V~ 1E4 T85 [VDE]

**TEMPERATURE:** -20°C to 105°C [UL, cUL]  
-20°C to 125°C [VDE]

**ELECTRICAL LIFE:** 10,000 Cycles

**CONTACT RESISTANCE:** 35mΩ Max.

**INSULATION RESISTANCE:** 100MΩ Min. at 500VDC

**DIELECTRIC STRENGTH:** 1,500VAC for 1 Minute

## MATERIALS:

**BODY:** Polyamide 6/6, UL94 V-2

**ACTUATOR:** Polyamide 6/6, UL94 V-2

**CONTACTS:** Silver Alloy

**TERMINALS:** Silver Plated Copper



RRG31131211



RRG35431100



RRG311322Z02Z13

SPECIFICATIONS SUBJECT TO CHANGE WITHOUT NOTICE

Series	Terminal	Function	Rating	Body Color	Actuator Color	Marking Color	Marking Type
RRG3	1 - 4.8mm Tab (Small Hole) 5 - Solder 8 - 4.8mm Tab (Large Hole)	1 - Off-On 3 - On-On 4 - Off-(On) 5 - On-Off-On A - On-(Off) B - On-(On) C - On-Off-(On)	3 - 10A 125VAC C - 16A 125VAC	1 - Black 2 - White 3 - Almond 4 - Grey 5 - Orange 7 - Blue 8 - Green 9 - Red	1 - Black 2 - White 3 - Almond 4 - Grey 5 - Orange 7 - Blue 8 - Green 9 - Red	0 - None 1 - Black 2 - White 8 - Red	0 - None 1 - I/O Vert. 2 - ON/OFF/ON Vert. 3 - ON/OFF Vert. 4 - ON/OFF Horiz. 9 - I/O/II Horiz. S - I/O/II Vert. R - I/O Horiz.

Custom Colors and Markings Available Upon Request

## EXAMPLE PART NUMBERS:

RRG38131121 1P Off-On  
Black Body/Actuator, I/O Vert.

RRG38132200 1P Off-On  
White Body/Actuator, No Marking

RRG381C1121 1P Off-On  
Black Body/Actuator, I/O Vert.



**E-SWITCH®**

www.e-switch.com

800.867.2717

ROCKER