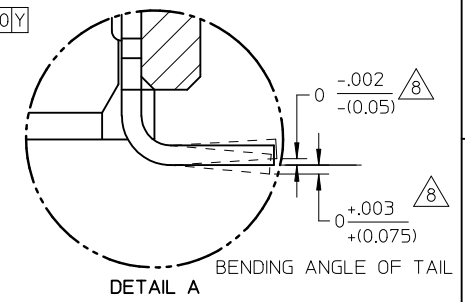
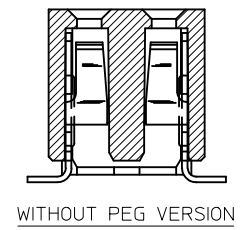
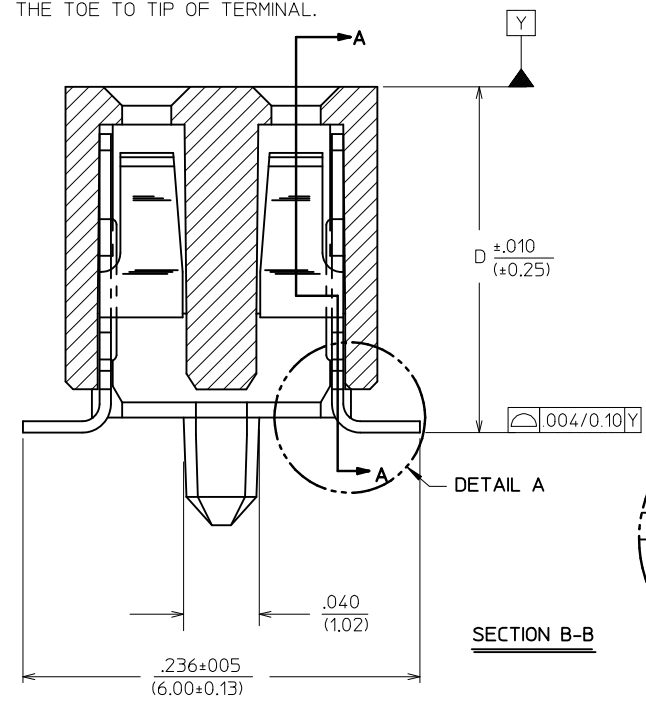
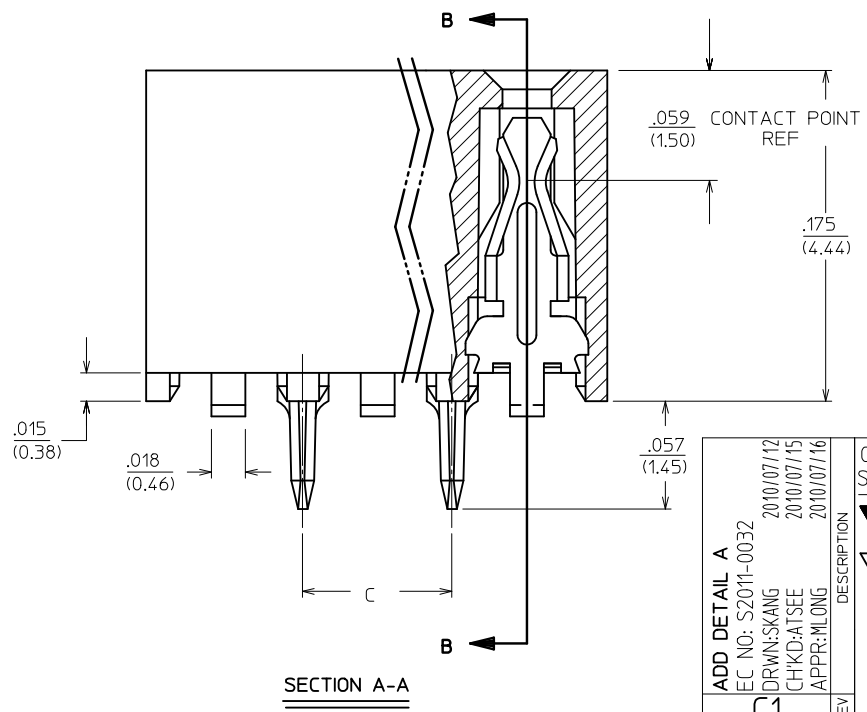


- NOTES:**
- 1 - HOUSING MATERIAL: LCP GLASS FILLED UL 94V-0 COLOR: BLACK.
 - 2 - TERMINAL MATERIAL: PHOSPHOR BRONZE
 - 3 - SEE SHEET 2 FOR CIRCUIT SIZE, PART NUMBERS AND OVER-ALL DIMENSIONS.
 - 4 - FOR ILLUSTRATION, 6 CIRCUIT ASSEMBLY SHOWN.
 - 5 - REFER TO PRODUCT SPECIFICATION PS-79107.
 - 6 - TUBE PACKAGING PER PK-70873-0217 OR TAPE PACKAGING PER PK-70873-0259.

PLATING:
 15u"/0.38um MIN. GOLD PLATE IN CONTACT AREA
 75u"/1.9um MIN. TIN IN SOLDER AREA.
 BOTH OVER 50u"/1.27um MIN. NICKEL OVERALL.

- 7 - CKT LOCATIONS ARE NUMBERED FROM LEFT TO RIGHT WHEN VIEWING ASSEMBLY FROM TOP WITH THE GATE RECESS ON THE RIGHT AS SHOWN.
- 8 - MEASUREMENT IS TAKEN BETWEEN THE TANGENT OF THE TOE TO TIP OF TERMINAL.



ADD DETAIL A	EC NO: S2011-0032	2010/07/12	QUALITY SYMBOLS
	DRWNS:KANG	2010/07/15	
	CHKD:ATSEE	2010/07/15	▽=0
	APPR:MLONG	2010/07/16	∇=0
C1	REV	DESCRIPTION	

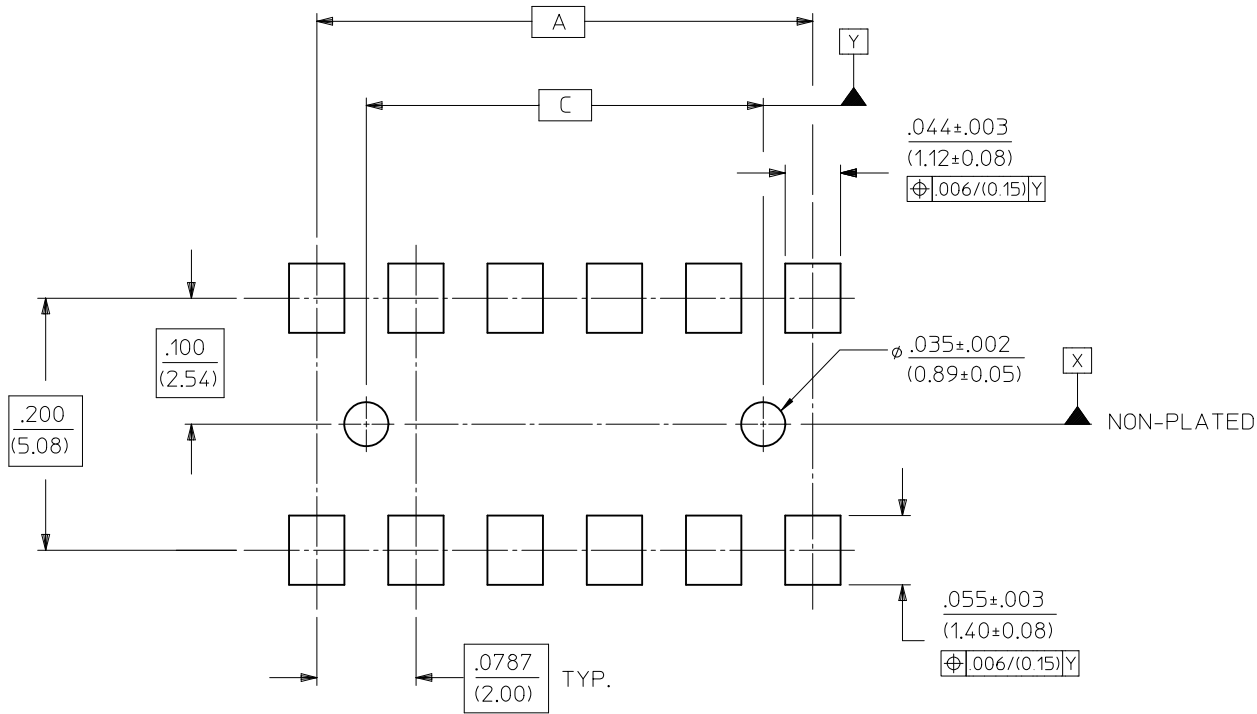
GENERAL TOLERANCES (UNLESS SPECIFIED)	
mm	INCH
4 PLACES ± ---	± ---
3 PLACES ± ---	± .008
2 PLACES ± 0.2	± ---
1 PLACE ± ---	± ---
ANGULAR ± 3 °	
DRAFT WHERE APPLICABLE MUST REMAIN WITHIN DIMENSIONS	

DIMENSION STYLE	
IN/MM	
DRAWN BY	DATE
KSEE	2003/11/11
CHECKED BY	DATE
KCL ING	2003/12/12
APPROVED BY	DATE
PTL IM	2003/12/15
MATERIAL NO.	DOCUMENT NO.
SEE TABLE	SD-79109-001
SIZE	
A3	

SCALE	DESIGN UNITS	THIRD ANGLE PROJECTION
NTS	METRIC	
TITLE		
2MM DUAL ROW VERTICAL RECEPTACLE		
MOLEX INCORPORATED		
DOCUMENT NO.		SHEET NO.
SD-79109-001		1 OF 3
THIS DRAWING CONTAINS INFORMATION THAT IS PROPRIETARY TO MOLEX INCORPORATED AND SHOULD NOT BE USED WITHOUT WRITTEN PERMISSION		

SPECIAL PACKAGING (TAPE PACKED WITHOUT CAP)

CKT. SIZE	DIM. "A"		DIM. "B"		DIM. "C"		DIM. "D"		ITEM NO. (WITH PEG)
	INCH	MM	INCH	MM	INCH	MM	INCH	MM	
50	1.890	(48.00)	1.976	(50.19)	1.811	(46.00)	.183	(4.65)	79109-9052

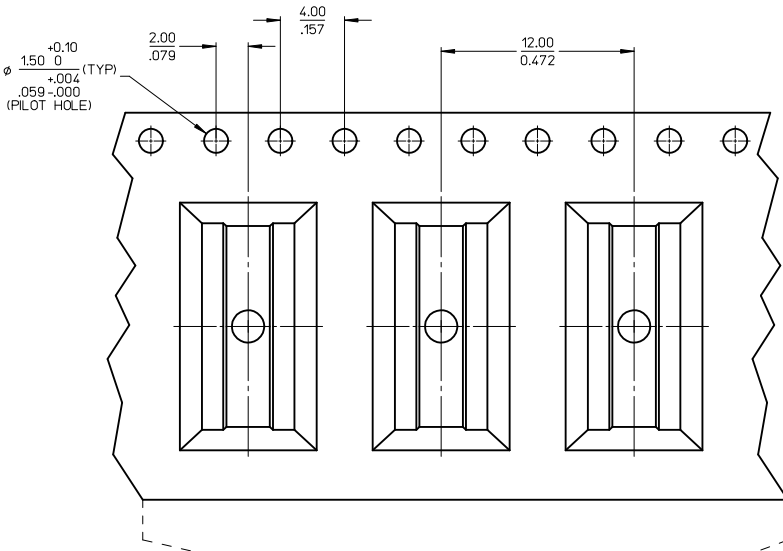


RECOMMENDED P.C. BOARD PAD LAYOUT

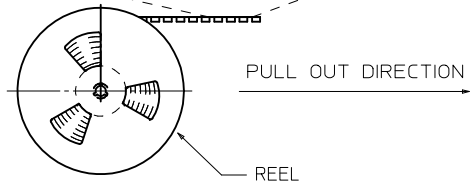
ADD DETAIL A EC NO: S2011-0032 DRWN:SKANG 2010/07/12 CHYKD:ATSEE 2010/07/15 APPR:MLONG 2010/07/16 C1	QUALITY SYMBOLS	GENERAL TOLERANCES (UNLESS SPECIFIED) 4 PLACES ± --- ± --- 3 PLACES ± --- ± .008 2 PLACES ± 0.2 ± --- 1 PLACE ± --- ± --- ANGULAR ± 3 ° DRAFT WHERE APPLICABLE MUST REMAIN WITHIN DIMENSIONS	DIMENSION STYLE	SCALE	DESIGN UNITS	THIRD ANGLE PROJECTION	
			IN/MM	NTS	METRIC		
			mm INCH	TITLE	2MM DUAL ROW VERTICAL RECEPTACLE		
				DRAWN BY: KSEE DATE: 2003/11/11 CHECKED BY: KCL ING DATE: 2003/12/12 APPROVED BY: PTL IM DATE: 2003/12/15 MATERIAL NO. SEE TABLE DOCUMENT NO. SD-79109-001 SHEET NO. 2 OF 3	MOLEX INCORPORATED THIS DRAWING CONTAINS INFORMATION THAT IS PROPRIETARY TO MOLEX INCORPORATED AND SHOULD NOT BE USED WITHOUT WRITTEN PERMISSION		

10 9 8 7 6 5 4 3 2 1

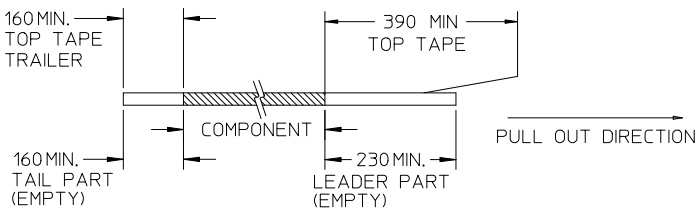
SPECIAL PACKAGING (TAPE PACKED WITHOUT CAP)



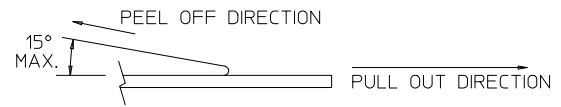
CKT. SIZE	DIM. "A"		DIM. "B"		DIM. "C"		DIM. "D"		ITEM NO. (WITHOUT PEG)
	INCH	MM	INCH	MM	INCH	MM	INCH	MM	
50	1.890	(48.00)	1.976	(50.19)	-	-	.183	(4.65)	79109-9152



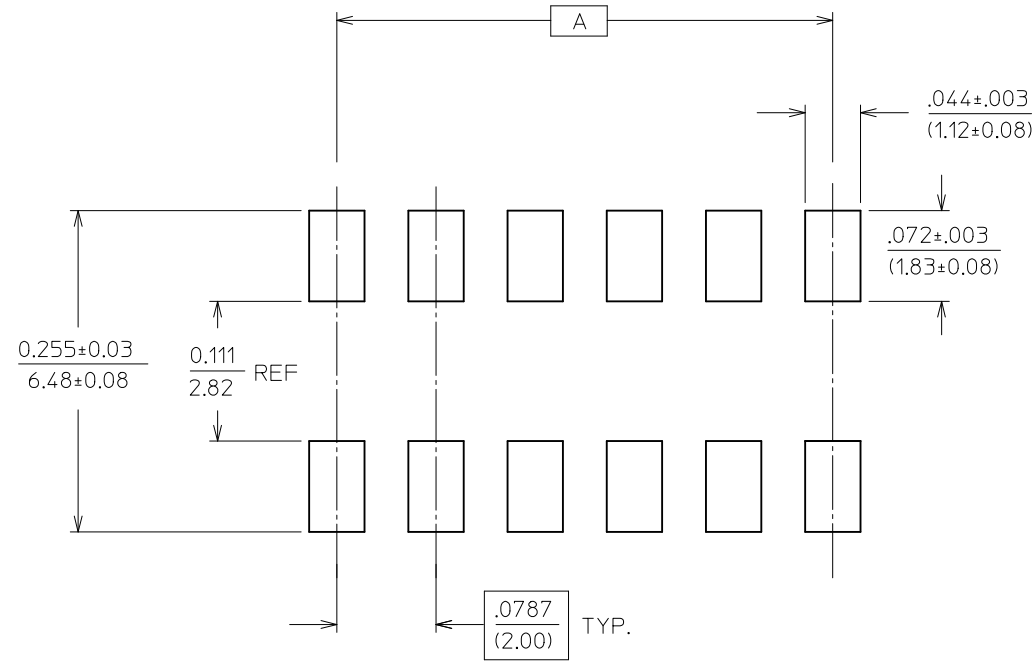
NOTES:
1. LEADER AND TRAILER TAPE



2. PEELING OFF FORCE OF THE TOP TAPE: 20-80gf.
(PEELING DIRECTION AS SHOWN IN FOLLOWING FIGURE)



3. PACKAGING STANDARD IS AS PER EIA-481.
4. TAPE & REEL QUANTITY = 500 PCS/REEL



RECOMMENDED P.C. BOARD PAD LAYOUT

ADD DETAIL A EC NO: S2011-0032 DRWN:SKANG CHKD:ATSEE APPR:MLONG 2010/07/12 2010/07/15 2010/07/16	QUALITY SYMBOLS	GENERAL TOLERANCES (UNLESS SPECIFIED)	DIMENSION STYLE	SCALE	DESIGN UNITS	THIRD ANGLE PROJECTION
	▽=0 ∇=0	mm INCH 4 PLACES ± --- ± --- 3 PLACES ± --- ± .008 2 PLACES ± 0.2 ± --- 1 PLACE ± --- ± --- ANGULAR ± 3 °	IN/MM DRAWN BY DATE KSEE 2003/11/11 CHECKED BY DATE KCL ING 2003/12/12 APPROVED BY DATE PTL IM 2003/12/15	NTS TITLE 2MM DUAL ROW VERTICAL RECEPTACLE	METRIC	Molex MOLEX INCORPORATED
	DRAFT WHERE APPLICABLE MUST REMAIN WITHIN DIMENSIONS	MATERIAL NO. SEE TABLE DOCUMENT NO. SD-79109-001 SHEET NO. 3 OF 3	THIS DRAWING CONTAINS INFORMATION THAT IS PROPRIETARY TO MOLEX INCORPORATED AND SHOULD NOT BE USED WITHOUT WRITTEN PERMISSION			
	REV C1					

9 8 7 6 5 4 3 2 1