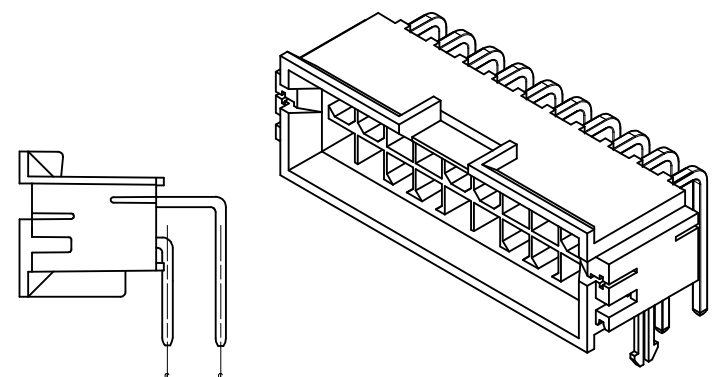


**PCB LAYOUT: COMPONENT SIDE**  
 RECOMMENDED PCB THICKNESS: 3.175±0.18 ±.125±.007

- NOTES**
- MATERIALS:**  
 HOUSING: NYLON 4/6 UL 94V-0 GLASS FILLED, COLOR: BLACK  
 TERMINAL: BRASS  
 BOARD RETENTION CLIP: BRASS
  - FINISHES:**  
 TERMINAL:  
 1-(0.00254)/.000100 MIN. BRIGHT TIN OVER  
 (0.00127)/.000050 MIN. NICKEL  
 2-(0.00076)/.000030 MIN. SELECT GOLD AND  
 (0.00254)/.000100 MIN. SELECT MATTE TIN  
 OVER (0.00127)/.000050 MIN. NICKEL OVERALL  
 MOUNTING CLIP:  
 (0.00254)/.000100 MIN. MATTE TIN OVER  
 (0.00127)/.000050 MIN. NICKEL
  - PRODUCT SPECIFICATION:** PS-43810-001
  - PACKAGING SPECIFICATION:** PK-43810-001
  - PARTS MATES WITH MOLEX RECP TACKLE #5557 AND #42474 AND #42385 HEADER**
  - PART ALLOWS FOR (1.27)/.050 MAX MIS-ALIGNMENT WITH MATING HOUSINGS IN ANY DIRECTION**
  - CONNECTOR ASSEMBLIES ARE NOT TO BE MATED AND UNMATED WHILE CIRCUITS ARE LIVE**
  - PARTS ARE NOT DESIGNED FOR CURRENT SHARING**
  - DISCOLORATION IN THE BANDOLIER CARRIER AREA OF THE PIN IS INHERENT TO THE PLATING PROCESS AND IS DUE TO THE MASKING EFFECT OF THE CARRIER. THIS DISCOLORATION IS IN A NON-FUNCTIONAL AREA OF THE PIN AND WILL NOT AFFECT THE PERFORMANCE OF THE HEADER ASSEMBLY.**
  - PART CONFORMS TO CLASS 'B' REQUIREMENTS OF COSMETIC SPECIFICATION PS-45499-002**
- △ FORMING MARKS ARE ACCEPTABLE



**HEADER ASSEMBLY WITH NO CLIP OPTION**

20 CKT SHOWN

<b>CORRECT TAIL LENGTH</b> EC NO: UCP2016-0596 DRAWN: MONTI 2015/08/07 CHKD: BELL 2015/08/07 APPROVED: TH 2015/09/12 REV DESCRIPTION	QUALITY SYMBOLS	GENERAL TOLERANCES (UNLESS SPECIFIED)	DIMENSION STYLE	SCALE	DESIGN UNITS	THIRD ANGLE PROJECTION	
	▽=0	4 PLACES ± mm ± INCH	MM/IN	4:1	METRIC		
	▽=0	3 PLACES ± .010					
	▽=0	2 PLACES ± 0.25 ± .014					
		1 PLACE ± 0.35 ± .014					
		ANGULAR ±1/2°					
		DRAFT WHERE APPLICABLE MUST REMAIN WITHIN DIMENSIONS					
			MATERIAL NO.	DATE	DATE	DATE	
			SEE CHART	2012/01/19	01-06-97	03-26-97	
			SIZE D				
			THIS DRAWING CONTAINS INFORMATION THAT IS PROPRIETARY TO MOLEX INCORPORATED AND SHOULD NOT BE USED WITHOUT WRITTEN PERMISSION				

**MINI-FIT JR BMI RIGHT ANGLE HEADER ASM FOR 3.175/.125 THK. PCB**

**MOLEX INCORPORATED**

SD-43810-051

SHEET NO. 1 OF 2

	20	19	18	17	16	15	14	13	12	11	10	9	8	7	6	5	4	3	2	1
	MATERIAL NO.	CIRCUIT SIZE	CLIP OPTION	DIM. 'A'	DIM. 'B'	DIM. 'C'	FINISH	MATERIAL NO.	CIRCUIT SIZE	CLIP OPTION	DIM. 'A'	DIM. 'B'	DIM. 'C'	FINISH						
M	43810-0089	4	YES	18.81 .740	4.20 .165	16.60 .653	1	43810-0331	4	NO	18.81 .740	4.20 .165	16.60 .653	1						
	43810-0090	6	YES	23.01 .906	8.40 .331	20.80 .819	1	43810-0332	6	NO	23.01 .906	8.40 .331	20.80 .819	1						
N	43810-0091	8	YES	27.21 1.071	12.60 .496	25.00 .984	1	43810-0333	8	NO	27.21 1.071	12.60 .496	25.00 .984	1						
L	43810-0092	10	YES	31.41 1.237	16.80 .661	29.20 1.150	1	43810-0334	10	NO	31.41 1.237	16.80 .661	29.20 1.150	1						
N	43810-0093	12	YES	35.61 1.402	21.00 .828	33.40 1.315	1	43810-0335	12	NO	35.61 1.402	21.00 .828	33.40 1.315	1						
	43810-0094	14	YES	39.81 1.567	25.20 .992	37.60 1.480	1	43810-0336	14	NO	39.81 1.567	25.20 .992	37.60 1.480	1						
K	43810-0095	16	YES	44.01 1.733	29.40 1.157	41.80 1.646	1	43810-0337	16	NO	44.01 1.733	29.40 1.157	41.80 1.646	1						
	43810-0096	18	YES	48.21 1.898	33.60 1.323	46.00 1.811	1	43810-0338	18	NO	48.21 1.898	33.60 1.323	46.00 1.811	1						
N	43810-0097	20	YES	52.41 2.063	37.80 1.488	50.20 1.976	1	43810-0339	20	NO	52.41 2.063	37.80 1.488	50.20 1.976	1						
J	43810-0098	22	YES	56.61 2.229	42.00 1.654	54.40 2.142	1	43810-0340	22	NO	56.61 2.229	42.00 1.654	54.40 2.142	1						
	43810-0099	24	YES	60.81 2.394	46.20 1.819	58.60 2.307	1	43810-0341	24	NO	60.81 2.394	46.20 1.819	58.60 2.307	1						
I	43810-0100	4	YES	18.81 .740	4.20 .165	16.60 .653	2	43810-0342	4	NO	18.81 .740	4.20 .165	16.60 .653	2						
	43810-0101	6	YES	23.01 .906	8.40 .331	20.80 .819	2	43810-0343	6	NO	23.01 .906	8.40 .331	20.80 .819	2						
N	43810-0102	8	YES	27.21 1.071	12.60 .496	25.00 .984	2	43810-0344	8	NO	27.21 1.071	12.60 .496	25.00 .984	2						
	43810-0103	10	YES	31.41 1.237	16.80 .661	29.20 1.150	2	43810-0345	10	NO	31.41 1.237	16.80 .661	29.20 1.150	2						
H	43810-0104	12	YES	35.61 1.402	21.00 .828	33.40 1.315	2	43810-0346	12	NO	35.61 1.402	21.00 .828	33.40 1.315	2						
	43810-0105	14	YES	39.81 1.567	25.20 .992	37.60 1.480	2	43810-0347	14	NO	39.81 1.567	25.20 .992	37.60 1.480	2						
N	43810-0106	16	YES	44.01 1.733	29.40 1.157	41.80 1.646	2	43810-0348	16	NO	44.01 1.733	29.40 1.157	41.80 1.646	2						
G	43810-0107	18	YES	48.21 1.898	33.60 1.323	46.00 1.811	2	43810-0349	18	NO	48.21 1.898	33.60 1.323	46.00 1.811	2						
N	43810-0108	20	YES	52.41 2.063	37.80 1.488	50.20 1.976	2	43810-0350	20	NO	52.41 2.063	37.80 1.488	50.20 1.976	2						
	43810-0109	22	YES	56.61 2.229	42.00 1.654	54.40 2.142	2	43810-0351	22	NO	56.61 2.229	42.00 1.654	54.40 2.142	2						
F	43810-0110	24	YES	60.81 2.394	46.20 1.819	58.60 2.307	2	43810-0352	24	NO	60.81 2.394	46.20 1.819	58.60 2.307	2						

N- NOT TOOLED

N- NOT TOOLED

<b>SEE SHEET 1</b> IEC NO: UCP2016-0596 DRAWN: MONTI CHYK: BELLE APPR: FSMITH 2015/08/07 2015/08/07 2015/09/23	<b>QUALITY SYMBOLS</b> ∇=0 ∇=0 ∇=0	<b>GENERAL TOLERANCES (UNLESS SPECIFIED)</b> <table border="1"> <tr> <th></th> <th>mm</th> <th>INCH</th> </tr> <tr> <td>4 PLACES</td> <td>± .10</td> <td>± .004</td> </tr> <tr> <td>3 PLACES</td> <td>± .15</td> <td>± .006</td> </tr> <tr> <td>2 PLACES</td> <td>± 0.25</td> <td>± .010</td> </tr> <tr> <td>1 PLACE</td> <td>± 0.35</td> <td>± .015</td> </tr> <tr> <td colspan="3">ANGULAR ±1/2°</td> </tr> </table>			mm	INCH	4 PLACES	± .10	± .004	3 PLACES	± .15	± .006	2 PLACES	± 0.25	± .010	1 PLACE	± 0.35	± .015	ANGULAR ±1/2°			<b>DIMENSION STYLE</b> MM/IN	<b>SCALE</b> 1:1	<b>DESIGN UNITS</b> METRIC	
			mm	INCH																					
		4 PLACES	± .10	± .004																					
		3 PLACES	± .15	± .006																					
2 PLACES	± 0.25	± .010																							
1 PLACE	± 0.35	± .015																							
ANGULAR ±1/2°																									
<b>DRAFT WHERE APPLICABLE MUST REMAIN WITHIN DIMENSIONS</b>		<b>SEE CHART</b>		<b>TITLE</b> MINI-FIT JR BMI RIGHT ANGLE HEADER ASM FOR 3.175/.125 THK. PCB																					
<b>MATERIAL NO.</b> SD-43810-051		<b>DATE</b> 2012/01/19		<b>DATE</b> 01-06-97																					
<b>APPROVED BY</b> FSMITH		<b>CHECKED BY</b> BANDURA		<b>DATE</b> 03-26-97																					