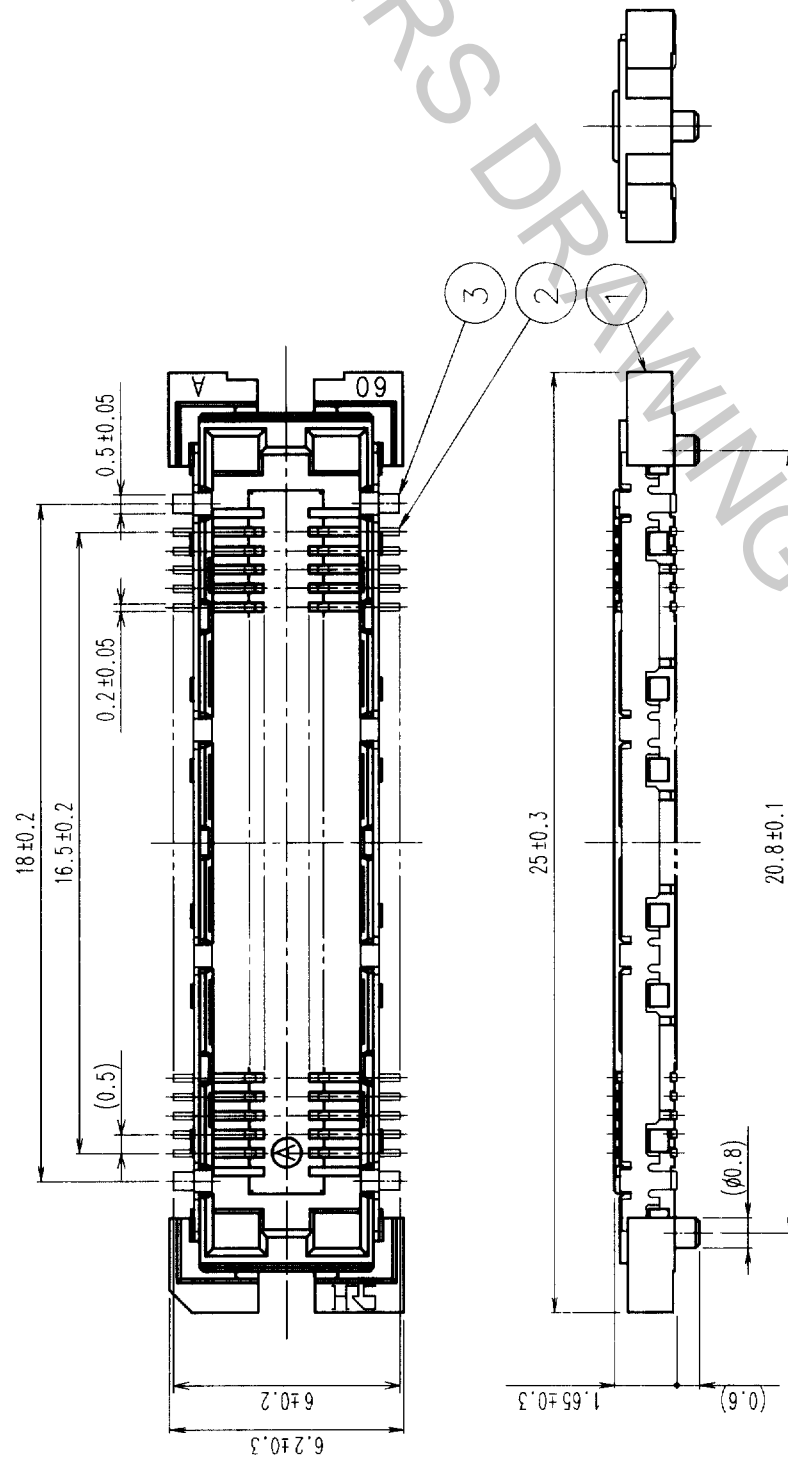
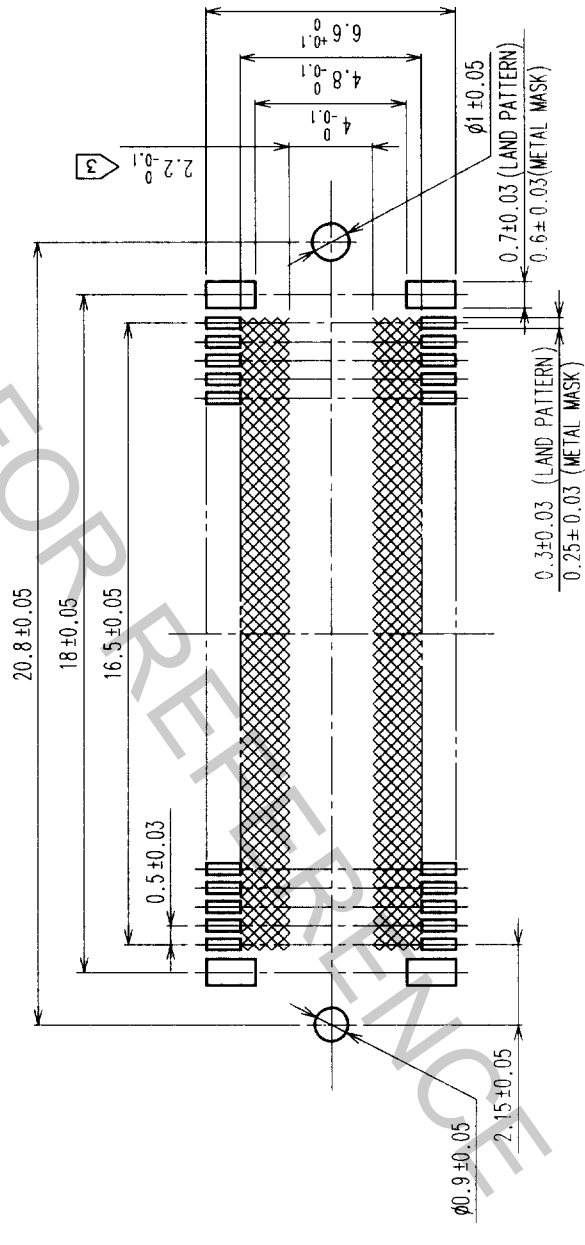


COUNT	DESCRIPTION OF REVISIONS	BY	CHKD	DATE	COUNT	DESCRIPTION OF REVISIONS	BY	CHKD	DATE
△					△				
△					△				
△					△				



RECOMMENDED LAND PATTERN DIMENSION OF PCB



- NOTES
- SMT LEAD-COPLANARITY: 0.1 MAX.
  - THIS PRODUCT HAS NO POLARITY TO PATTERN FOR MOUNTING.
  - MAKE SURE WIDTH OF PATTERN IS WITHIN THAT OF LAND, OR LEAD MAY TOUCH PATTERN. (THIS APPLIES TO HATCHED AREA.)
  - TO BE EMBOSSED CARRIER TAPED AS SPECIFIED IN SHEET 2.

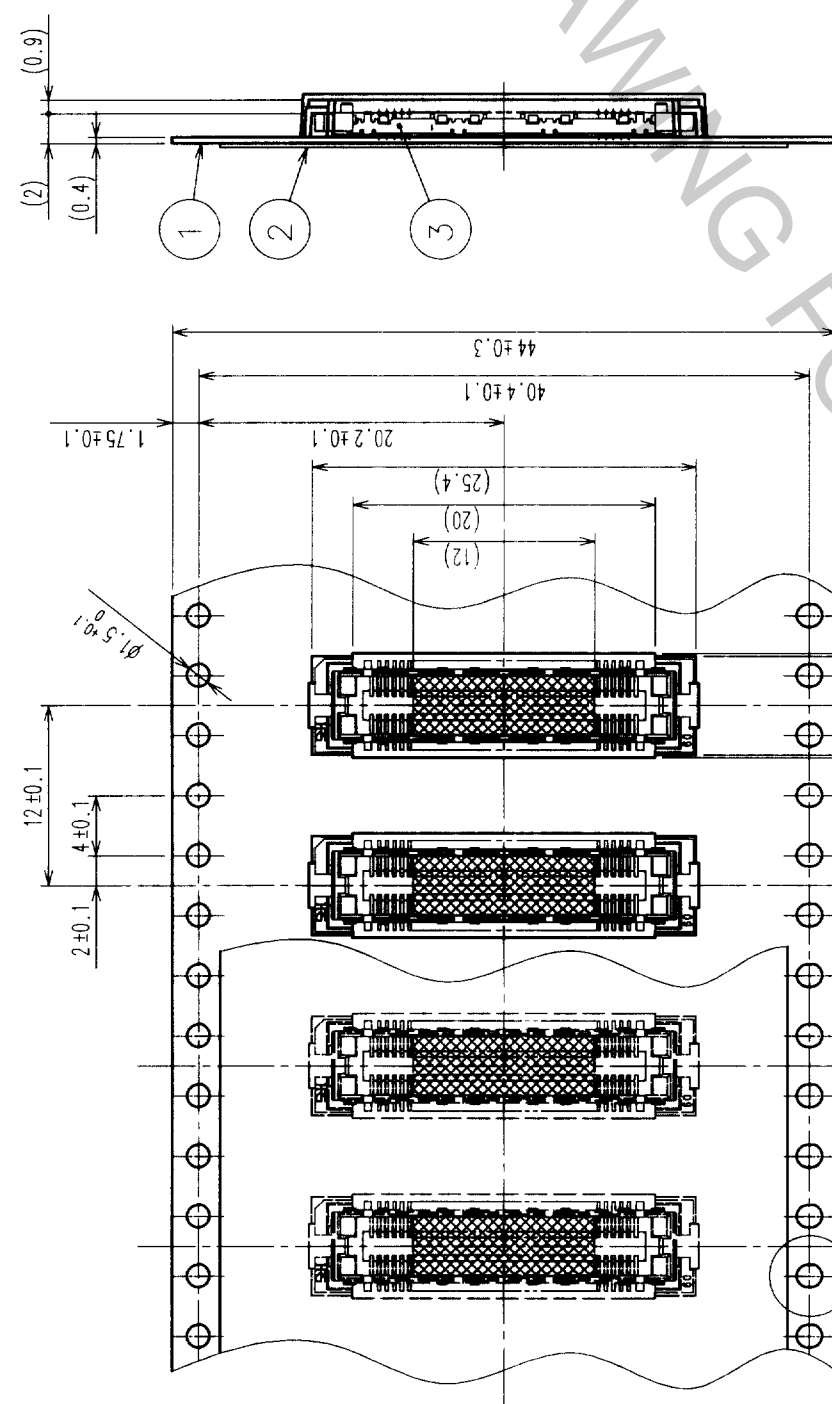
2	PHOSPHOR BRONZE	CONTACT AREA: GOLD (0.1μm) OVER NICKEL LEAD: GOLD FLASH OVER NICKEL
1	LCP	BEIGE UL94V-0
NO.	MATERIAL	FINISH, REMARKS
CODE NO. (OLD)	CL	

3	PHOSPHOR BRONZE	TIN PLATED
NO.	MATERIAL	FINISH, REMARKS
CODE NO. (OLD)	CL	
DRAWN	DESIGNED	CHECKED
APPROVED	APPROVED	APPROVED
RELEASED	RELEASED	RELEASED

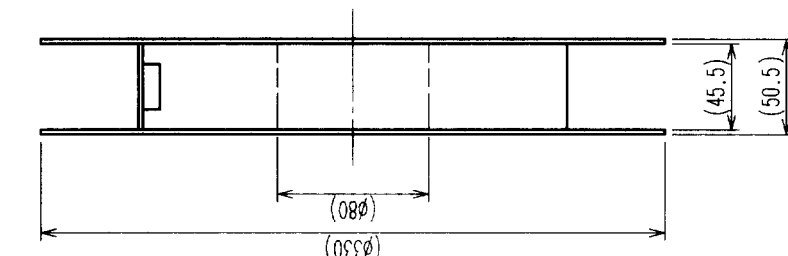
DRAWING NO.	EDC3-152116-02	PART NO.	FX11LA-68S-SV (22)
SCALE	5 : 1	CODE NO.	CL573-0142-6-22
UNITS	mm		

TO	
PCK	

COUNT	DESCRIPTION OF REVISIONS	BY	CHKD	DATE	COUNT	DESCRIPTION OF REVISIONS	BY	CHKD	DATE
△									
△									
△									

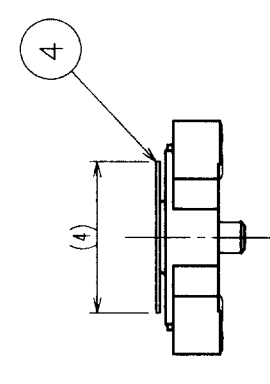


REELED DIMENSION (Free)

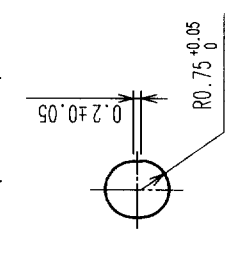


THE DIRECTION OF PULLING OUT

DETAIL FOR TAPE PICKUP (5:1)



A (5:1)



- NOTES
- 1 REEL: 1000 CONNECTORS.
  - 2 MINIMUM 10 COMPARTMENTS FROM BOTH REEL ENDS REMAIN EMPTY.
  - 3 THIS PRODUCT HAS NO POLARITY TO TAPE AND REEL PACKAGING.

2	PET	TOP COVER TAPE	4	POLYIMIDE	(TAP FOR VACUUM PICKUP)
1	PS	EMBOSSED CARRIER TAPE	3	(CONNECTOR)	
NO.	MATERIAL	FINISH, REMARKS	NO.	MATERIAL	FINISH, REMARKS
CL					
CODE NO. (OLD)		DRAWN		DESIGNED	CHECKED
		M. Sasaki		M. Sasaki	M. Sasaki
		99.10.27		99.10.27	99.10.28
DRAWING FOR PACKING		PART NO.		APPROVED	
		FX11LA-68S-SV(22)		RELEASED	
SCALE		DRAWING NO.		CODE NO.	
2 : 1		EDC3-152116-02		CL573-0142-6-22	
UNITS		HIROSE ELECTRIC CO., LTD			
mm					

TO	
PCK	