

THIS DRAWING IS UNPUBLISHED. RELEASED FOR PUBLICATION JAN , 2006.

© COPYRIGHT 2006 BY TYCO ELECTRONICS CORPORATION. ALL RIGHTS RESERVED.

LOC	DIST	REVISIONS					
E	B	P	LTR	DESCRIPTION	DATE	DWN	APVD
		D		ECR-07-023453	03/10/07	AM	FWK

NOTES:

- 1 PACK IN ACCORDANCE WITH AMP SPEC 107-3275
- 2 100 TRAY PACK IN ACCORDANCE WITH AMP SPEC 107-3275
- 3 Au PLATING
- 4 Ni PLATING
- 5 THIS ITEM MUST BE WHITE

6 HAND TOOL : 9-1478240-0

7 DIE SET : 9-1478245-0

8 ELECTRICAL CHARACTERISTICS

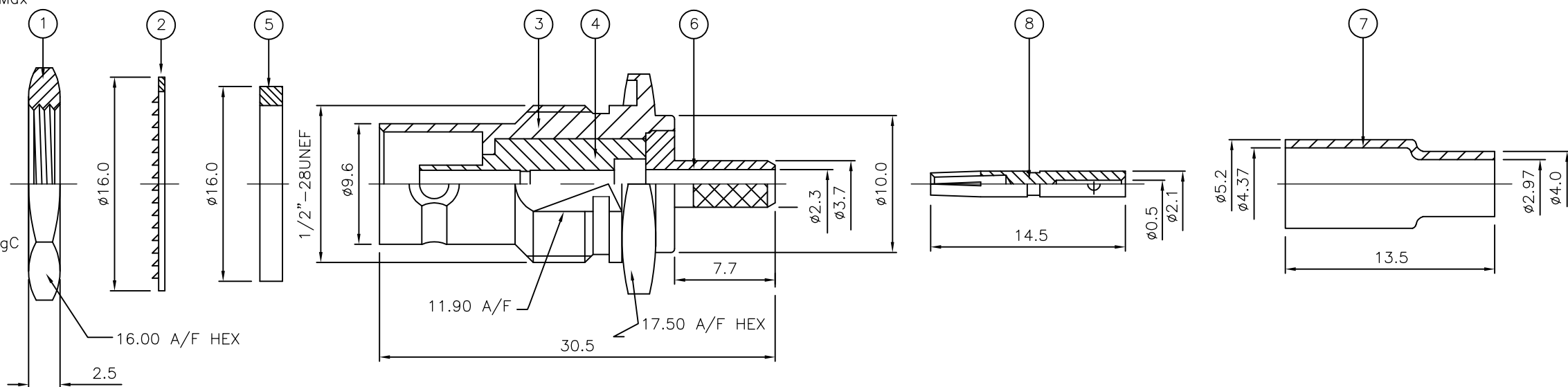
FREQUENCY RANGE:	DC - 2 GHz
NOMINAL IMPEDANCE:	75 Ohm
INSULATION RESISTANCE:	5000 MOhm
WORKING VOLTAGE:	500 Volts RMS at Sea Level
DIELECTRIC WITHSTAND VOLTAGE:	1500 Volts RMS Max
CONTACT RESISTANCE:	
CENTRE CONTACT:	1.50 mOhm Max
OUTER CONTACT:	0.20 mOhm Max
VSWR @ 2GHz:	1.20:1 Max
INSERTION LOSS dB @ x 2 GHz:	0.20 Max

9 MECHANICAL CHARACTERISTICS

COUPLING RETENTION FORCE:	N/A
CABLE RETENTION FORCE:	85N Min
MOUNT NUT RECOMMENDED TORQUE:	4N
DURABILITY:	500 Cycles Min

10 ENVIRONMENTAL CHARACTERISTICS

OPERATING TEMPERATURE: -65 to +165 DegC



<p><b>RECOMMENDED CENTRE CONTACT A/F HEX</b></p>	<p><b>RECOMMENDED CRIMP SLEEVE A/F HEX</b></p>	<p><b>RECOMMENDED CABLE STRIPPING DIM'S</b></p>	<p><b>RECOMMENDED PANEL CUT OUT</b></p>
--	--	---	---

QTY	UNIT	MATERIAL	DESCRIPTION	ITEM
1	1	BRASS	CONTACT	8
1	1	BRASS	FERRULE	7
1	1	BRASS	CHASSIS	6
1	1	SILICONE RUBBER	GASKET	5
1	1	PTFE	INSULATION	4
1	1	BRASS	BODY	3
1	1	STEEL	LOCKWASHER	2
1	1	BRASS	HEX NUT	1
6--0	1--0	MATERIAL	DESCRIPTION	ITEM

THIS DRAWING IS A CONTROLLED DOCUMENT.		DWN J.SANDWELL 01FEB06	Tyco Electronics Corporation Bideford EX39 4HE	
DIMENSIONS: mm		CHK S.PARLOW 01FEB06	NAME BNC BULKHEAD JACK REAR MOUNT CRIMP 75 OHM RG179B/U, 187 A/U, URM 111	
TOLERANCES UNLESS OTHERWISE SPECIFIED:		APVD F.WHEELER-KING 01FEB06	PRODUCT SPEC	
0 PLC ± -		APPLICATION SPEC		
1 PLC ± -		411-3247		
2 PLC ± -		WEIGHT -		
3 PLC ± -		SIZE A3		
4 PLC ± -		CAGE CODE 00779		
ANGLES ± -		DRAWING NO C-1337549		
FINISH -		RESTRICTED TO -		
MATERIAL SEE TABLE		CUSTOMER DRAWING		
		SCALE NTS		SHEET 1 OF 1
				REV D