

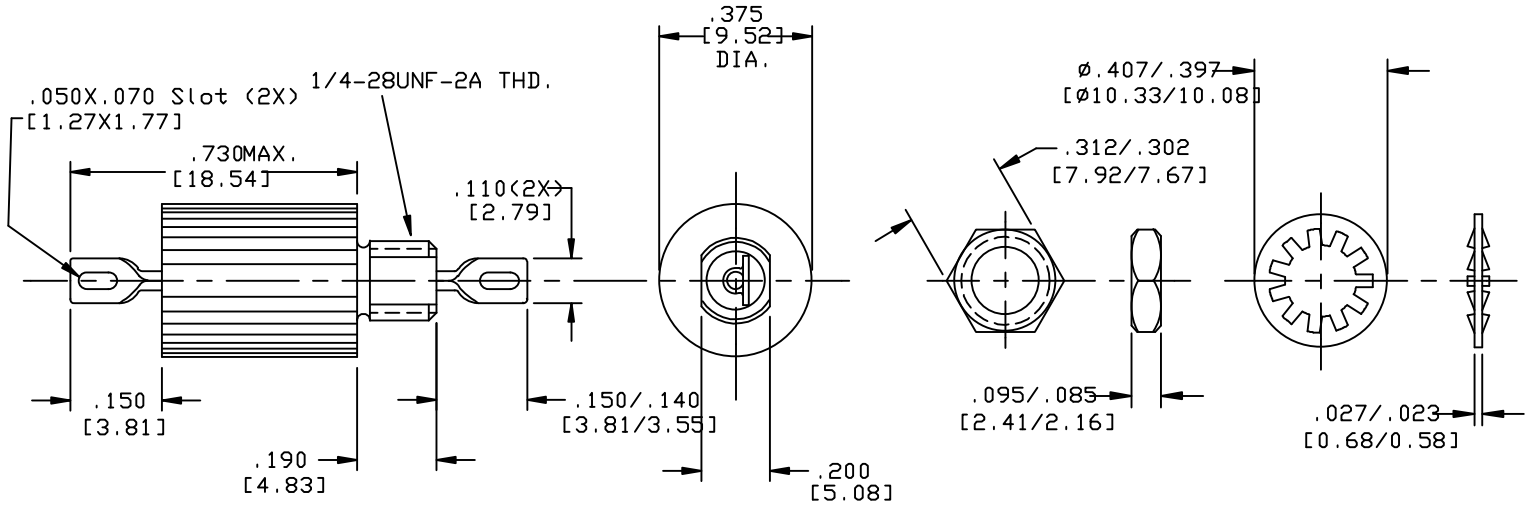
CASE FINISH	CURRENT (AMPS)	WORKING VOLTAGE				MAXIMUM DC RESISTANCE (OHMS)	MAXIMUM VOLTAGE DROP		MINIMUM CAPACITANCE (μ F)	MIN. INSERTION LOSS PER MIL-STD-220 FULL LOAD, +25°C													
		-55°C TO +85°C		-55°C TO +125°C			DC	AC		14	30	50	75	100	150	300	500	1	10	100	1	10	
		AC	DC	AC	DC					KHz	KHz	KHz	KHz	KHz	KHz	KHz	KHz	MHz	MHz	MHz	GHz	GHz	
SOLDER	1.0	125<400Hz>	250	125<400Hz>	200	.025	.025	---	0.3	--	--	--	--	14	18	30	--	50	70	70	70	--	

PART MARKING:

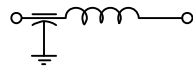
51-353-111
SCI DATE CODE

PACKAGE MARKING:

STANDARD



SCHMATIC




MTG. HARDWARE

MARKING NOTES:

N/A

NOTES:

1) MOUNTING TORQUE NOT TO EXCEED 7lb-in.

																	00	REV	UNLESS OTHERWISE SPECIFIED DIMENSIONS ARE IN INCHES. [MILLIMETERS] DO NOT SCALE.	TOLERANCES UNLESS OTHERWISE SPECIFIED	 SPECTRUM CONTROL INC. ERIE, FAIRVIEW PENNSYLVANIA	Description Pass
																	CN. 178542	CHANGE NOTIFICATION NO.		Fractions Dec. .xx± Dec. .xxx±010 Angles ±0° 30'		
																				CODE IDENT. NO. DLSP2	Sheet 1 of 1	51-353-111

Quality Products From The Specialists In Electro-Magnetic Compatibility