

Features

- DC to 3 GHz
- Terminals for placement on P.C.B.
- Low VSWR
- Aluminum Nitride ceramic



This series is obsolete and not recommended for new designs.

CHF3725CNP Series 40 W SMT Power RF Chip Termination

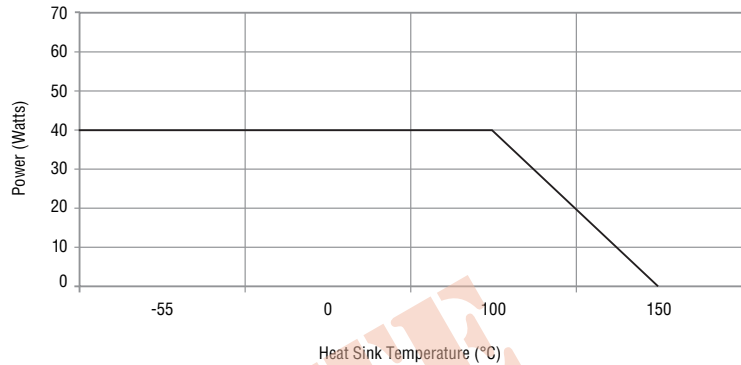
General Specifications

Substrate ALN
 Resistive Film Thick Film
 Resistance 50 Ω
 Tolerance ±5 %
 Packaging
 Tape & Reel
 3000 pcs./24 mm tape, 15 " reel
 Bulk 100 pcs./bag

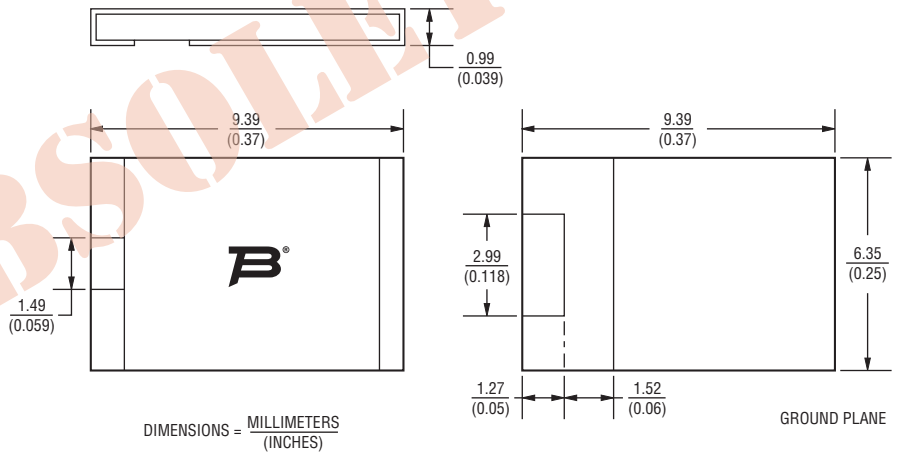
Absolute Ratings

Power 40 W
 Frequency 3 GHz
 VSWR 1.25 Maximum

Characteristic Curve



Product Dimensions



How To Order

CHF 3725 C N P 500 L X E

Model _____

Size _____

Version _____

Substrate _____

Mount _____
 P = Printed Circuit Board

Value _____
 500 = 50 Ohm

Function _____
 L = Termination

Finish _____
 X = Ni Au

Packaging _____
 E = 24 mm Tape & 15 " Reel (3,000 pcs.)
 Blank = Bulk (100 pcs./bag)

*RoHS Directive 2002/95/EC Jan. 27, 2003 including annex and RoHS Recast 2011/65/EU June 8, 2011.

Specifications are subject to change without notice.

The device characteristics and parameters in this data sheet can and do vary in different applications and actual device performance may vary over time.

Users should verify actual device performance in their specific applications.

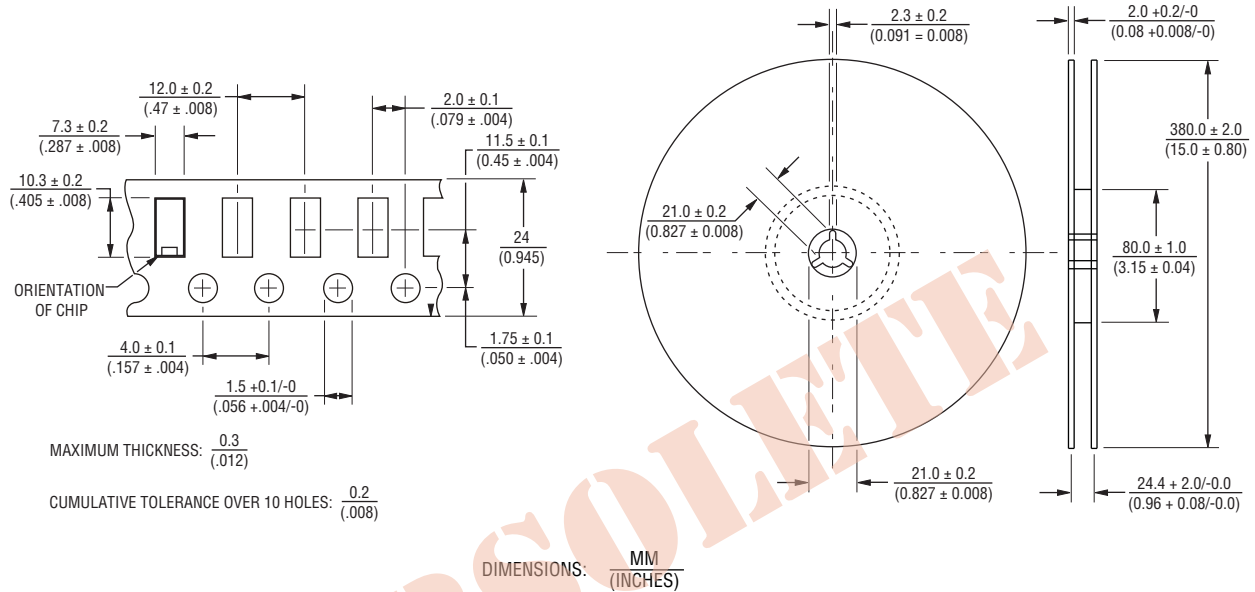
Applications

- RF amplifiers
- Attenuators
- Antenna feeds

CHF3725CNP Series 40 W SMT Power RF Chip Termination

BOURNS®

Packaging Dimensions



REV. 12/15

Specifications are subject to change without notice.

The device characteristics and parameters in this data sheet can and do vary in different applications and actual device performance may vary over time. Users should verify actual device performance in their specific applications.