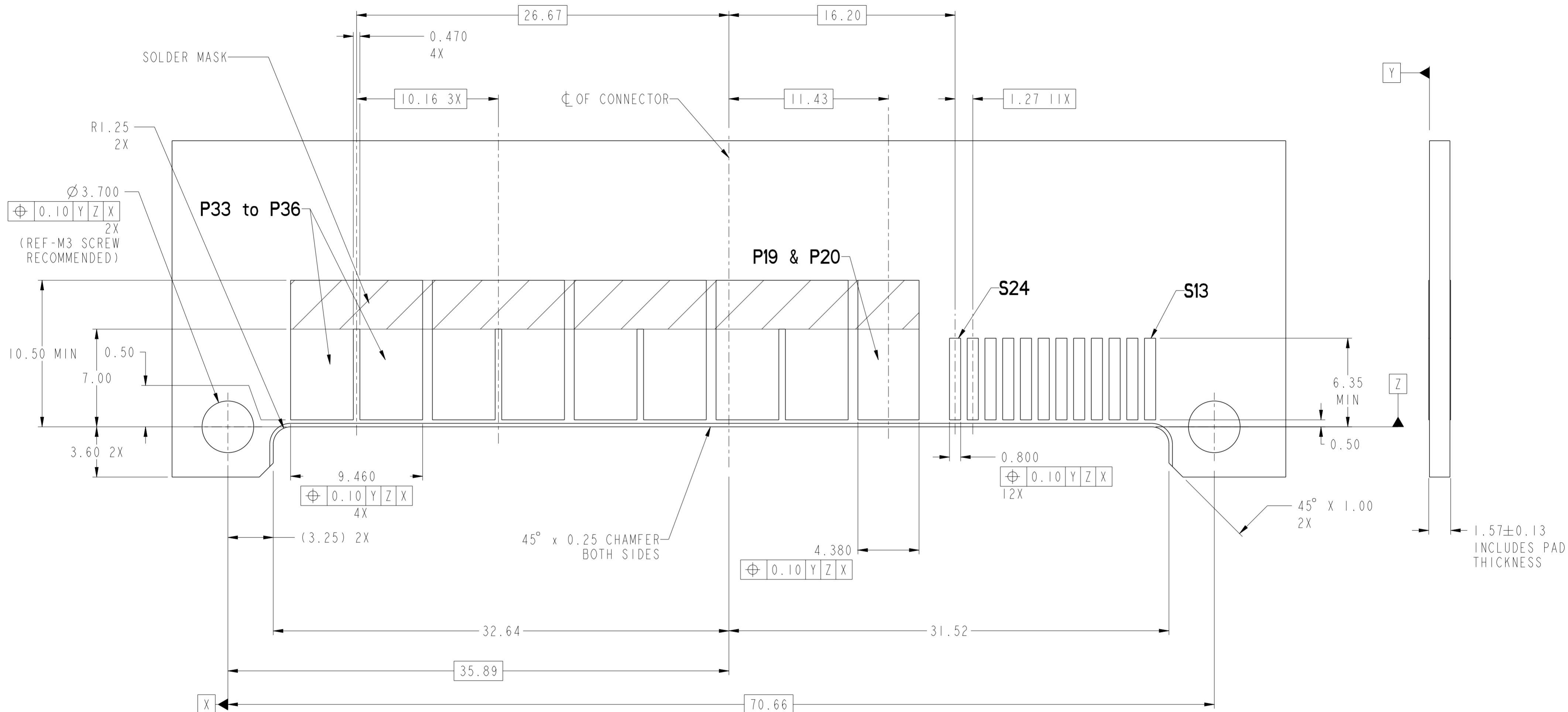


REV	ECN NO.	DR	DATE
A	---	Helen	2011-07-06
B	ELX-DG-004481-1	WL	2011-07-19
C	ELX-DG-008380-1	HZ	2011-12-01

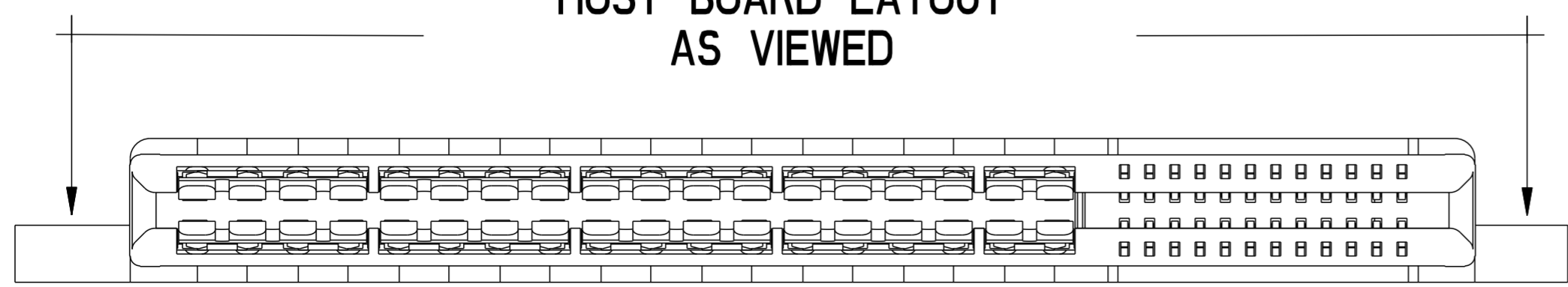
spec ref	-	dr	Wei-Long Zhang	2011/06/21	projection	MM	size	A2	scale	4:1
tolerance std	ASME Y14.5	eng	Wei-Long Zhang	2011/12/01			CARD EDGE	rel level	ELX-DG-008380-1	
TOLERANCES UNLESS OTHERWISE SPECIFIED	linear	chr	Eleven Hu	2011/12/09						
surface	ASME Y14.5	appr	Pei-Ming Zheng	2011/12/09	HPCE-STRADDLE MT (36P-24S)	cat. no.	10118593	rev	C	
					(RECEPTACLE) SPECIAL CASE	Product - Customer Drw	sheet 1 of 5			

Copyright FCI. FCI

NEW RECOMENDED HOST BOARD LAYOUT FOR IMPROVED SOLDER REFLOW PROCESS



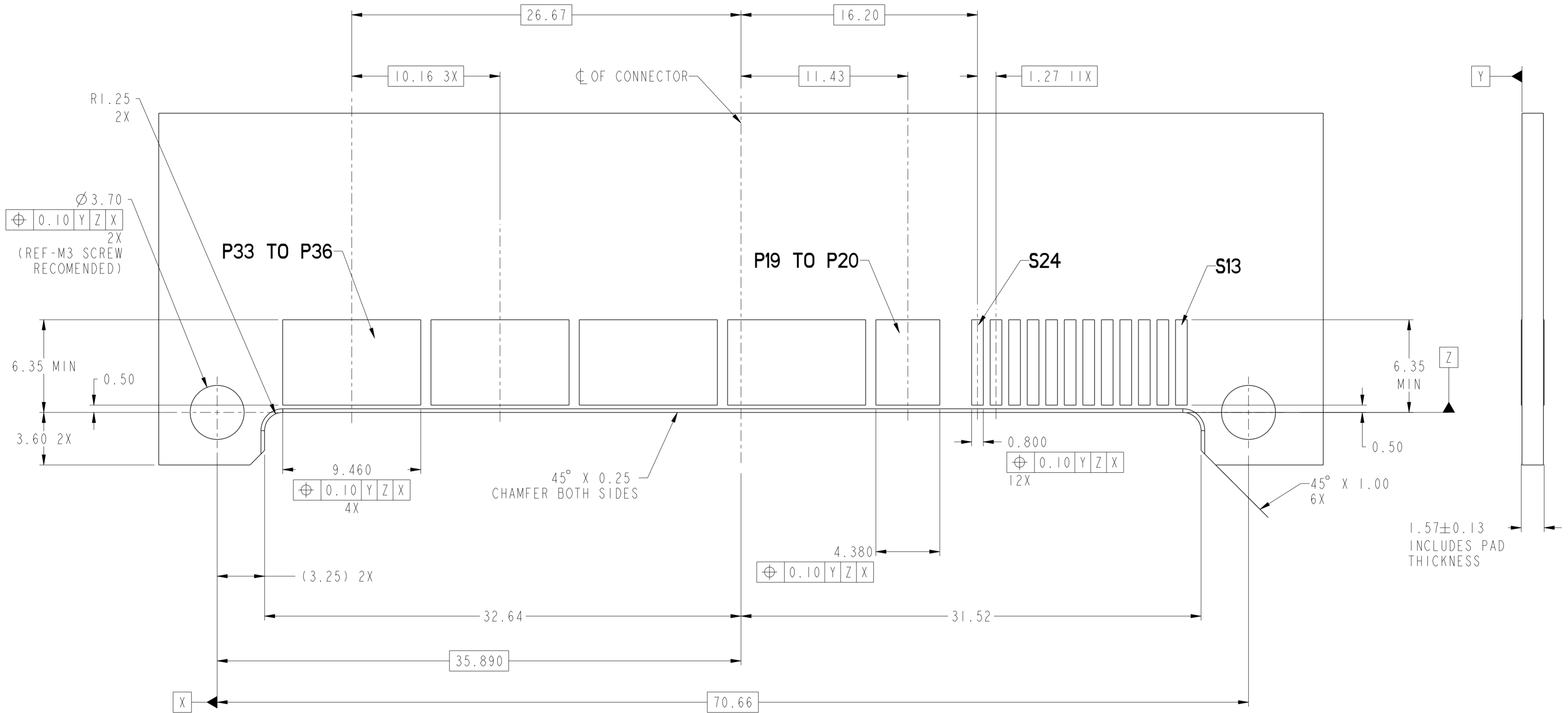
HOST BOARD LAYOUT AS VIEWED



SCALE 7:2

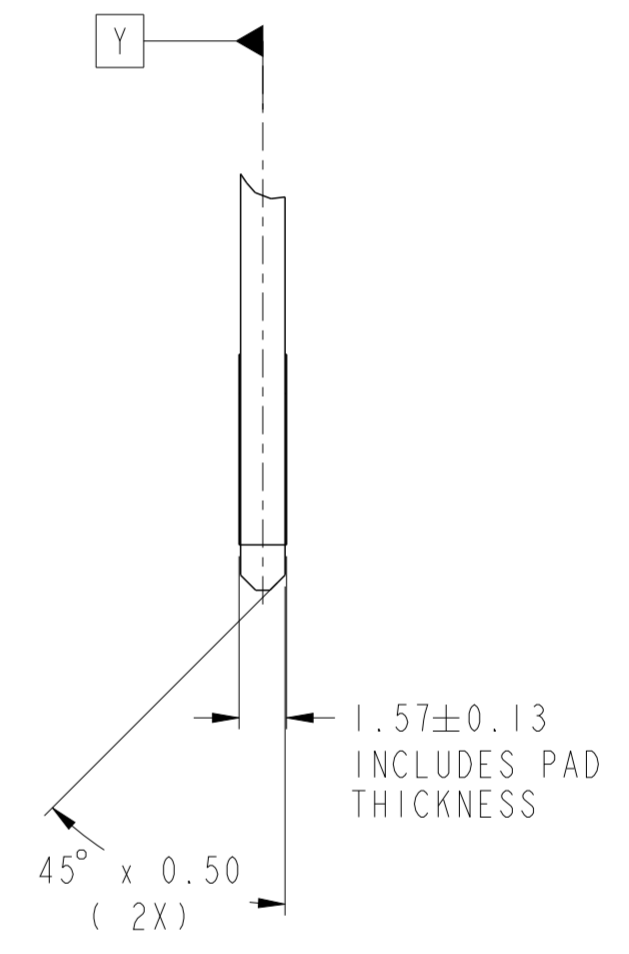
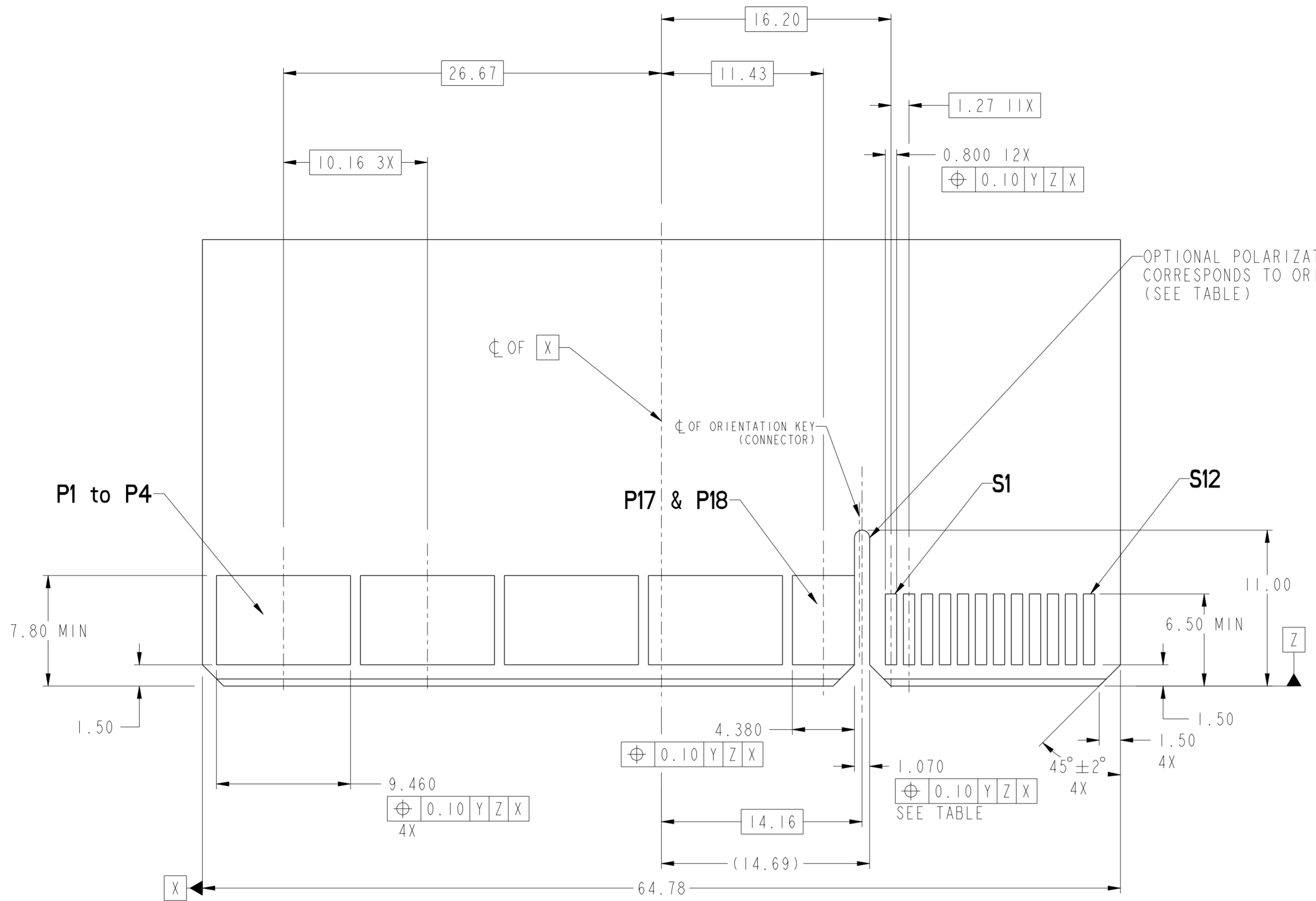
dr	Wei-Long Zhang	2011/06/21	projection	MM	size	A2	scale	4:1
eng	Wei-Long Zhang	2011/12/01		MM	A2	ELX-DG-008380-1	rel level	Released
chr	Eleven Hu	2011/12/09						
appr	Pai-Ming Zheng	2011/12/09	product family	CARD EDGE	rel level	Released		
		title HPCE-STRADDLE MT (36P-24S) (RECEPTACLE) SPECIAL CASE		dwg no 10118593	rev C			
www.fci.com		cat. no.	Product - Customer Drw		sheet 2 of 5			

OLD RECOMENDED HOST BOARD LAYOUT



dr	Wei-Long Zhang	2011/06/21	projection	MM	size	A2	scale	4:1	
eng	Wei-Long Zhang	2011/12/01			ecn no	ELX-DG-008380-1			
chr	Eleven Hu	2011/12/09			rel level	Released			
appr	Pai-Ming Zheng	2011/12/09	product family	CARD EDGE					
		title	HPCE-STRADDLE MT (36P-24S)		dwg no	10118593		rev	C
www.fci.com		cat. no.	-		Product - Customer Drw		sheet 3 of 5		

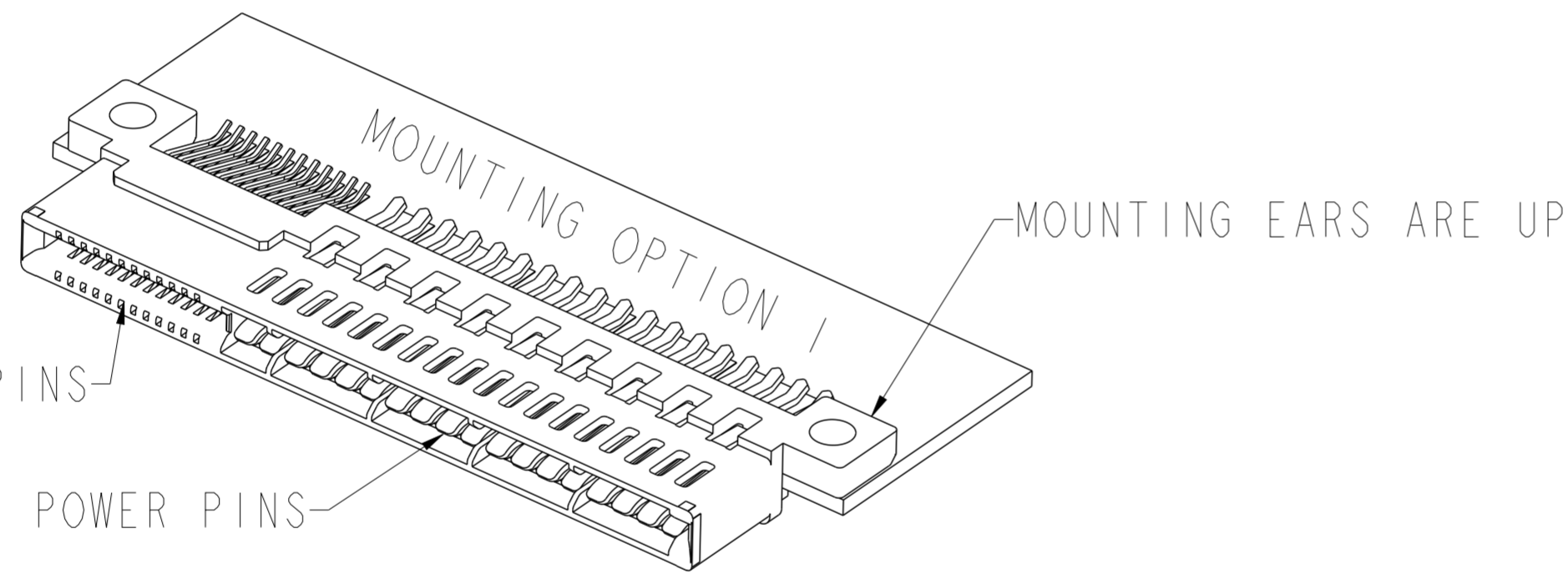
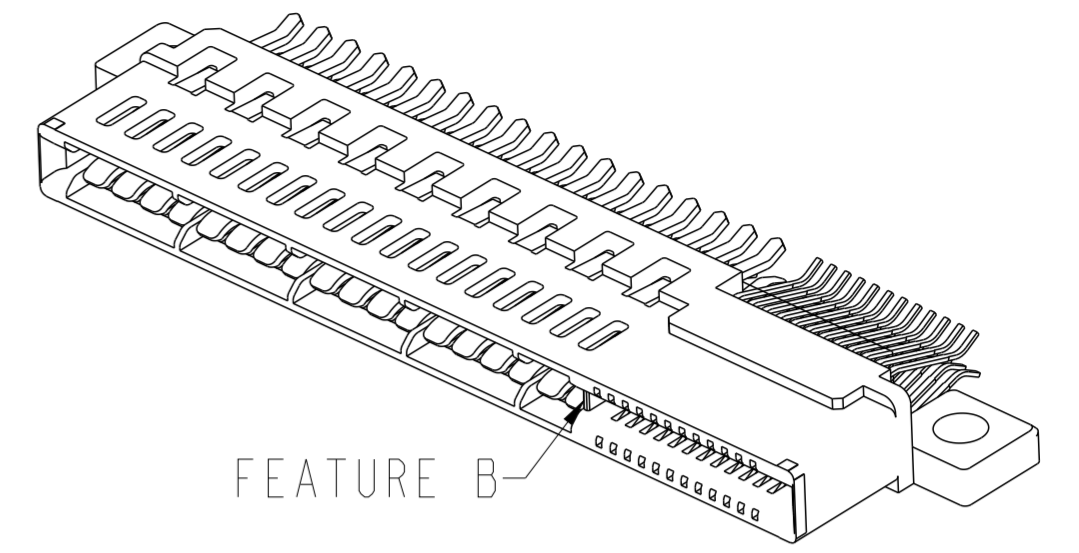
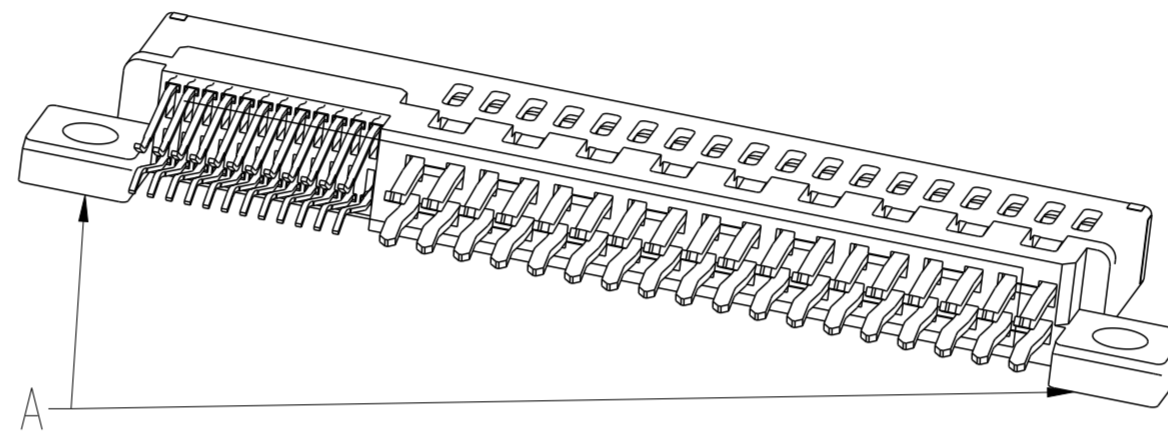




RECOMMENDED MATING BOARD FOOTPRINT

dr	Wei-Long Zhang	2011/06/21	projection	MM	size	A2	scale	4:1	
eng	Wei-Long Zhang	2011/12/01		MM	ecn no	ELX-DG-008380-1	rel level	Released	
chr	Eleven Hu	2011/12/09							
appr	Pei-Ming Zheng	2011/12/09	product family	CARD EDGE					
			title	HPCE-STRADDLE MT (36P-24S)		dwg no	10118593		
www.fci.com			cat. no.	-		Product - Customer Drw	sheet 4 of 5	rev	C

PART NUMBER	FEATURE A MOUNTING EARS	FEATURE B FRONT POLARIZATION KEY
10118593-001LF	YES	YES
10118593-002LF		NO



NOTES:

1. CONNECTOR MATERIALS:

HOUSING: HIGH TEMPERATURE THERMAL PLASTIC, BLACK
UL 94V-0 COMPLIANT
CONTACTS: HIGH PERFORMANCE COPPER ALLOY.

2. CONTACT FINISH REF. GS-12-604 SECTION 5.2.

3. PRODUCT SPECIFICATION: GS-12-604.

4. APPLICATION SPECIFICATION: GS-20-128.

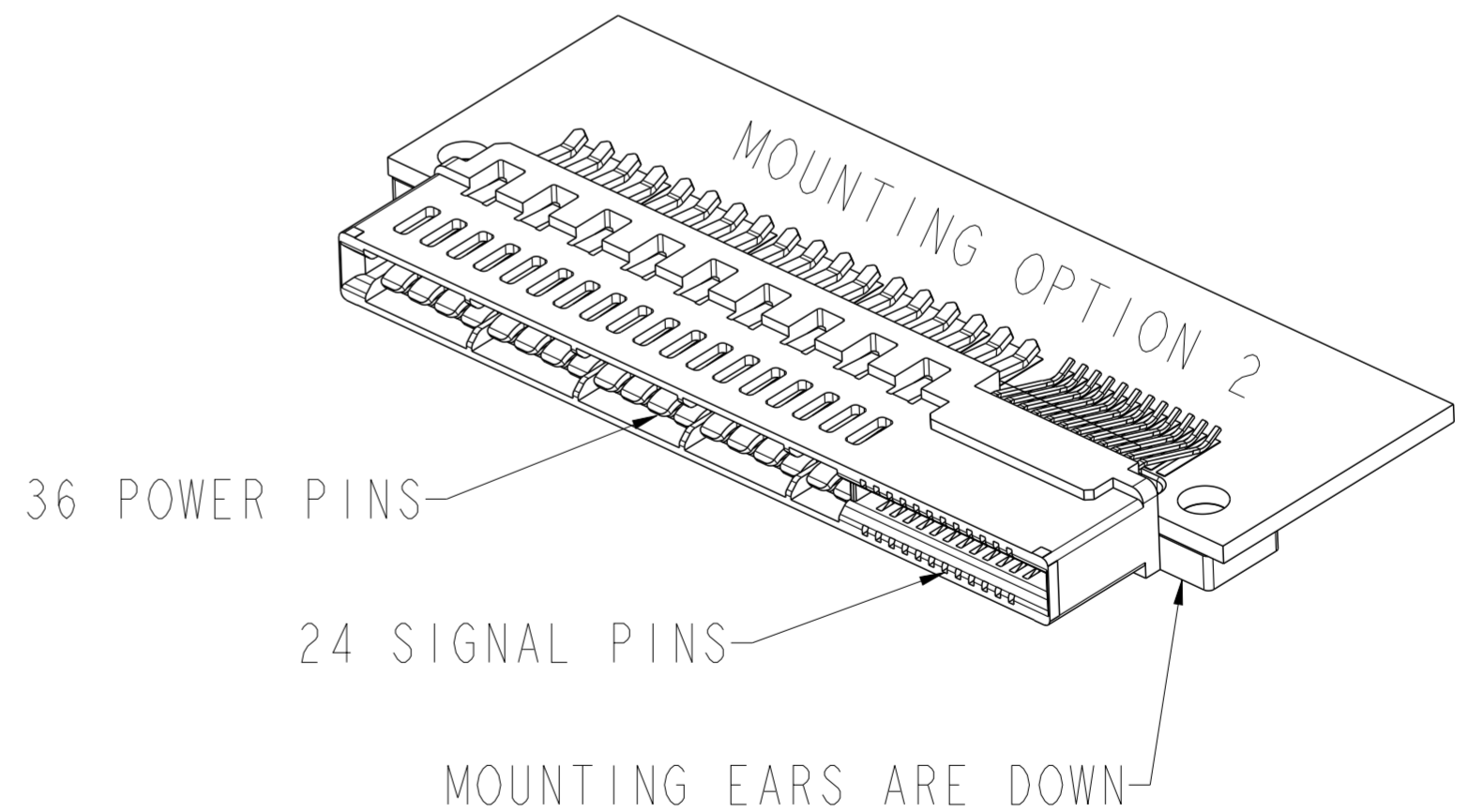
5. PRODUCT MARKING (FCI - PART NUMBER & DATE CODE) ON HOUSING IN AREA SHOWN.

6. PACKAGING MEETS FCI SPECIFICATION GS-14-937.

7. HOUSING COMPONENT WILL WITHSTAND EXPOSURE TO 260°C PEAK TEMPERATURE FOR 60 SECONDS IN A CONVECTION, INFRA-RED, OR VAPOR PHASE REFLOW OVEN.

8. THE OLD RECOMENDED BOARD IS ASSOCIATED WITH -001 & -002 PARTS. THE NEW HOST BOARD CAN BE USED WITH ALL DASH NUMBERS AND IS FOR IMPROVED SOLDER REFLOW PROCESS.

9. A Δ SYMBOL WILL BE NEXT TO ANY DIMENSION, VIEW, OR NOTE WHICH HAS BEEN MODIFIED WITH THE CURRENT DRAWING REVISION.



dr	Wei-Long Zhang	2011/06/21	projection	MM	size	A2	scale	4:1
eng	Wei-Long Zhang	2011/12/01			ecn no	ELX-DG-008380-1	rel level	Released
chr	Eleven Hu	2011/12/09						
appr	Pei-Ming Zheng	2011/12/09	product family	CARD EDGE	cat. no.	10118593	rev	C
www.fci.com			Product - Customer Drw			sheet 5 of 5		