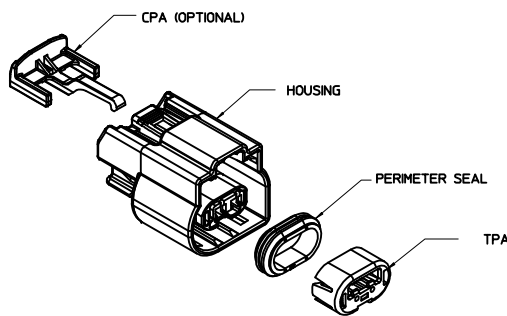


ASSEMBLY NUMBER	KEYING OPTION	COLOR	CPA	STATUS
34752-0200	A	BLACK		SALEABLE
34752-0201	B	LT. GRAY		CONCEPT ONLY
34752-0202	C	DK. GRAY		CONCEPT ONLY
34752-0203	D	STONE GRAY		CONCEPT ONLY
34752-0204	A	BLACK	X	SALEABLE
34752-0205	B	LT. GRAY	X	CONCEPT ONLY
34752-0206	C	DK. GRAY	X	CONCEPT ONLY
34752-0207	D	STONE GRAY	X	CONCEPT ONLY

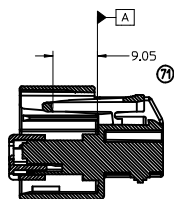
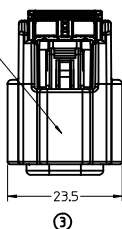


SCALE 1:1



KEYING OPTION A

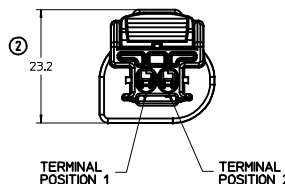
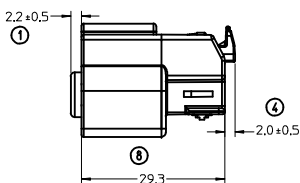
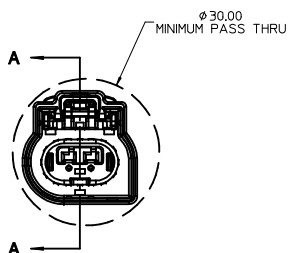
LASER MARKING APPLIED TO THIS SURFACE TO INCLUDE: MOLEX P/N AND DATE CODE SEE NOTE 1d



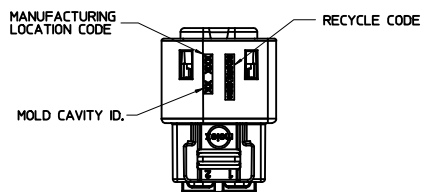
SECTION A-A



KEYING OPTION B



KEYING OPTION C



KEYING OPTION D

NOTES: VALID UNLESS OTHERWISE SPECIFIED

1. GENERAL:

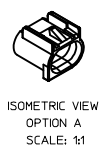
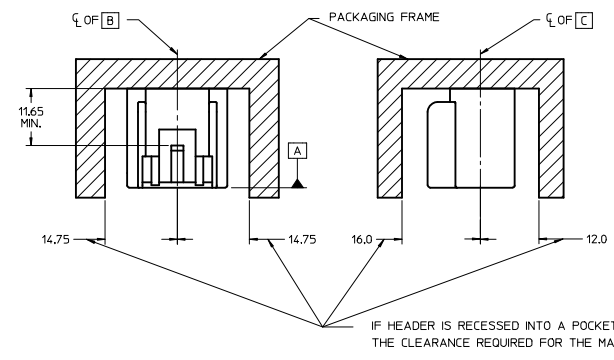
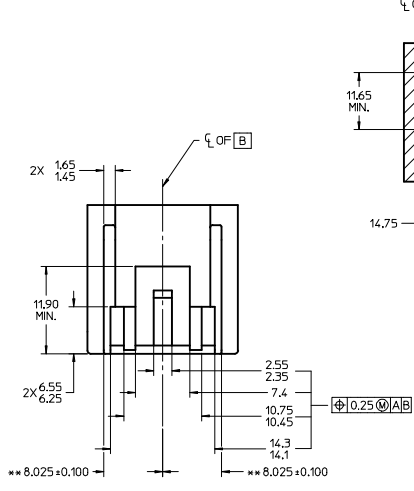
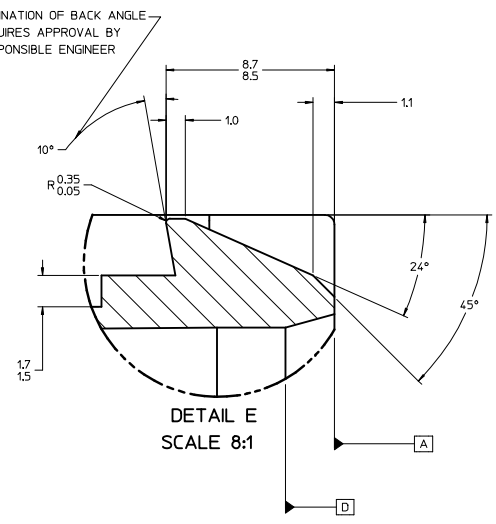
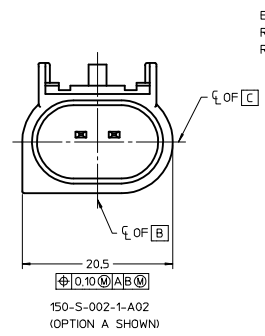
- a. PRODUCT SPECIFICATION SEE MOLEX DOCUMENT: PS-34752-001
- b. PACKAGING SPECIFICATION PER MOLEX DRAWING: PK-31300-635
- c. APPLICATION SPECIFICATION SEE MOLEX DOCUMENT: AS-34752-001  
APP. SPEC. CONTAINS THE FOLLOWING INFORMATION:  
 APPROPRIATE TERMINALS TO BE USED  
 PLR / CPA USAGE  
 MATING INTERFACES
- d. DATE CODE: FIRST TWO DIGITS IS CALENDAR YEAR, THIRD THRU FIFTH DIGIT IS DAY NUMBER OF THE CALENDAR YEAR (FEB. 3RD, 2003 = 0341)
- e. PARTS MUST BE IN COMPLIANCE TO MOLEX CHEMICAL SUBSTANCES FOR PRODUCTS AND PACKAGING SPECIFICATION ES-40000-5016
- f. DATA MUST BE SUBMITTED UNDER THE MOLEX PART NUMBER TO MDS (COMPANY ID#13255)

2. DESIGN - MATERIALS:

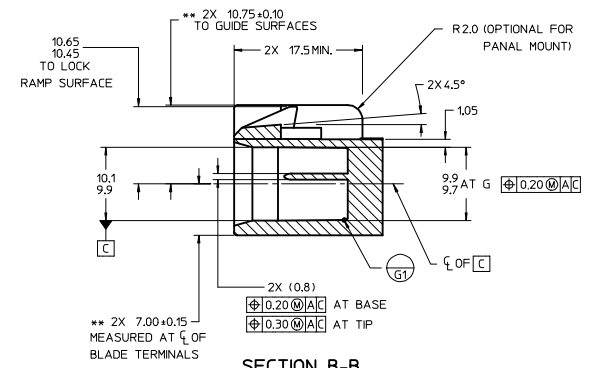
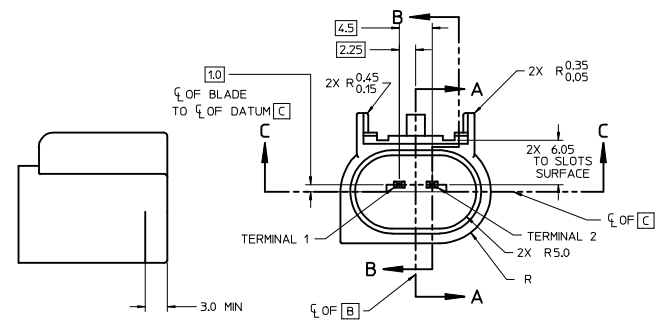
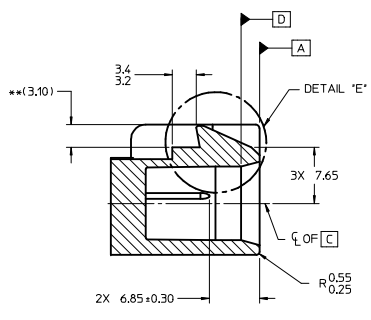
- a. HOUSING: SPS/NYLON BLEND, 20% GLASS FILLED, 20% MAX REGRIND COLOR: SEE TABLE
- b. TPA: SPS/NYLON BLEND, 20% GLASS FILLED, 20% MAX REGRIND COLOR: NATURAL
- c. CPA: PBT 30% GLASS FILLED, 20% MAX REGRIND COLOR: RED
- d. PERIMETER SEAL: INHERENTLY LUBRICATED SILICONE, 50 DUROMETER COLOR: DK BLUE

- 3. PACKAGING: IN THE EVENT THAT INERT IS FOUND IN THE SEATED (FINAL LOCK) POSITION, REFER TO MOLEX SPECIFICATION PS-34646-001, AVAILABLE AT WWW.MOLEX.COM

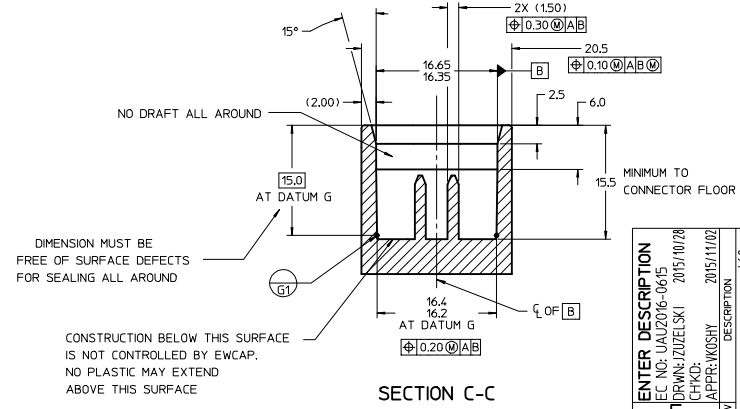
<b>ENTER DESCRIPTION</b> IEC NO: UAU2016-0615 DRAWN: JZUZELSKI CHKD: APPR: VKOSHY 2015/10/28 2015/11/02	<b>QUALITY SYMBOLS</b> 		<b>GENERAL TOLERANCES (UNLESS SPECIFIED)</b>		<b>DIMENSION STYLE</b> MM ONLY		<b>SCALE</b> 2:1		<b>DESIGN UNITS</b> METRIC		THIRD ANGLE PROJECTION	
	4 PLACES ± 0.10 mm ± 0.004 INCH 3 PLACES ± 0.15 mm ± 0.006 INCH 2 PLACES ± 0.20 mm ± 0.008 INCH 1 PLACE ± 0.25 mm ± 0.010 INCH		ANGULAR ± 3°		DRAWN BY: M. VANSIAMBRO DATE: 9/16/08 CHECKED BY: S. VERZYL DATE: 9/16/08 APPROVED BY: V. KOSHY DATE: 9/16/08		TITLE: MX150 CABLE SEAL SINGLE ROW, RECEPTACLE 1X2, ASSEMBLY		<b>MOLEX INCORPORATED</b>			
	DRAFT WHERE APPLICABLE MUST REMAIN WITHIN DIMENSIONS		MATERIAL NO. SEE TABLE		DOCUMENT NO. SD-34752-020		SHEET NO. 1 OF 2					
	THIS DRAWING CONTAINS INFORMATION THAT IS PROPRIETARY TO MOLEX INCORPORATED AND SHOULD NOT BE USED WITHOUT WRITTEN PERMISSION											



IF HEADER IS RECESSED INTO A POCKET, THESE DIMENSIONS REPRESENT THE CLEARANCE REQUIRED FOR THE MATING CONNECTOR SHROUD



- NOTES:
- ALL DIMENSIONS SHOWN IN MILLIMETERS
  - DIMENSIONING AND TOLERANCING PER ASME Y14.5M-1994.
  - RADII ON ALL CORNERS SHOWN SHARP OR ALL UNSPECIFIED RADI: 0.25 EXCEPT AS NOTED  
UNSPECIFIED TOLERANCES ARE AS FOLLOWS  
.X = ±0.25  
.XX = ±.13  
ANGLES ±2°
  - DESIGN IS BASED ON USCAR DWG. 150-S-002-1-Z02 REV K EXCEPT DIMENSIONS MARKED WITH \*\* REFER TO \*SAE/USCAR-12 CONNECTOR DESIGN GUIDELINES FOR ADDITIONAL INFORMATION.
  - STANDARD COLORS FOR POLARIZATION - DEVIATION REQUIRES APPROVAL OF AUTHORIZED PERSONS.
  - SECTION LINES ARE COMMON TO ALL OPTIONS.
  - 1° DRAFT MAX ON OUTSIDE SURFACES PERMISSIBLE WITHIN ALLOWABLE TOLERANCE.
  - DIMENSIONS IN ( ) ARE FOR REFERENCE.
  - FOR BLADE GEOMETRY AND PLATING REQUIREMENTS REFER TO EWCAP DWG. NO. EWCAP-001 REV F, DETAIL 150-T001
  - DIRECTION OF DRAFT REQUIRED.



150-S-002-D02	D	GREEN
150-S-002-C02	C	BROWN
150-S-002-B02	B	GREY
150-S-002-A02	A	BLACK
EWCAP P/N	OPTION	MATING CONNECTOR COLOR

<b>ENTER DESCRIPTION</b> IEC NO. UAU2016-0615 DRAWN: ZUZELSKI CHKD: APPR: WOSHY	2015/10/28 2015/11/02	QUALITY SYMBOLS ∇=0 ∇=0 ∇=0	GENERAL TOLERANCES (UNLESS SPECIFIED) DIMENSION STYLE: <b>MM ONLY</b> SCALE: <b>3:1</b> DESIGN UNITS: <b>METRIC</b> THIRD ANGLE PROJECTION		DRAWN BY: M. VANSIAMBRO DATE: 9/16/08 CHECKED BY: S. VERZLY DATE: 9/16/08 APPROVED BY: V. KOSHY DATE: 9/16/08	TITLE: <b>MX150 CABLE SEAL SINGLE ROW, RECEPTACLE 1X2, ASSEMBLY</b> MOLEX INCORPORATED DOCUMENT NO.: <b>SD-34752-020</b>	SHEET NO.: <b>2 OF 2</b>
			DRAFT WHERE APPLICABLE MUST REMAIN WITHIN DIMENSIONS				