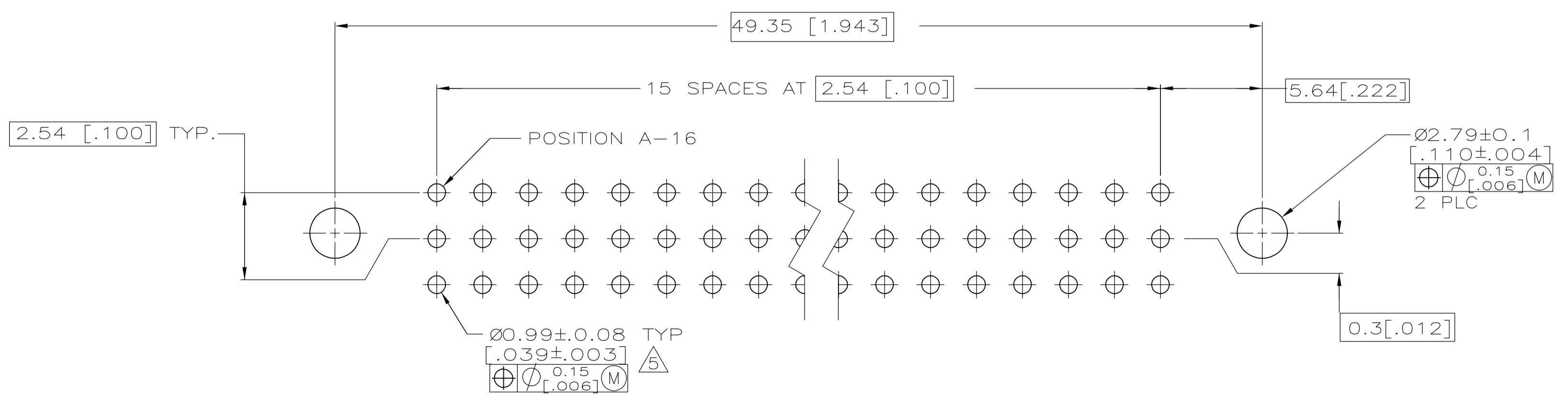
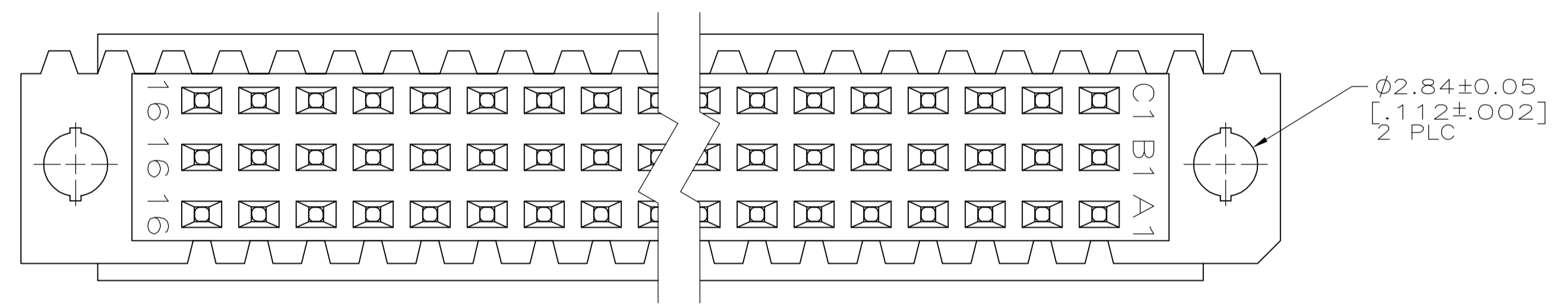
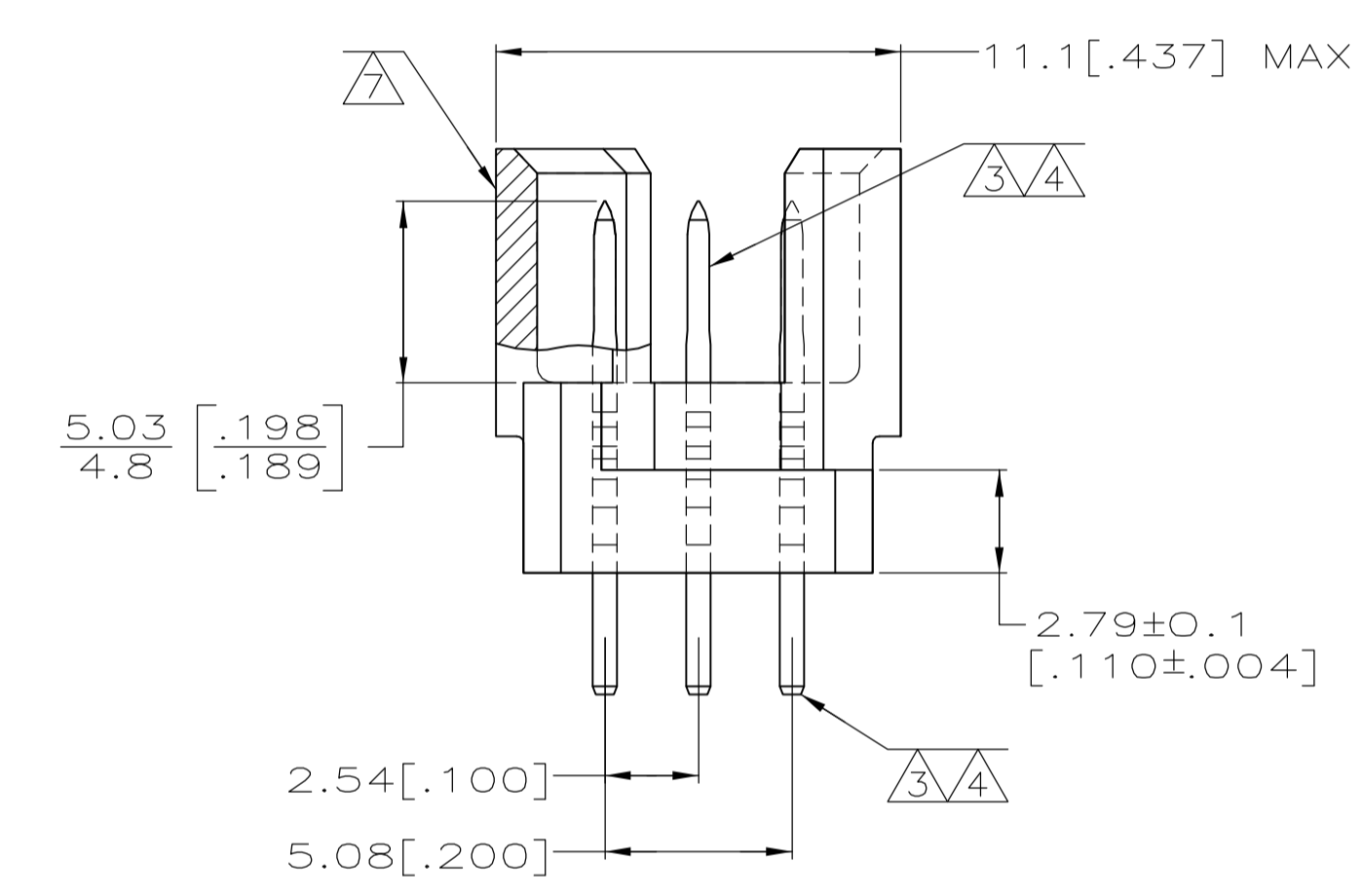
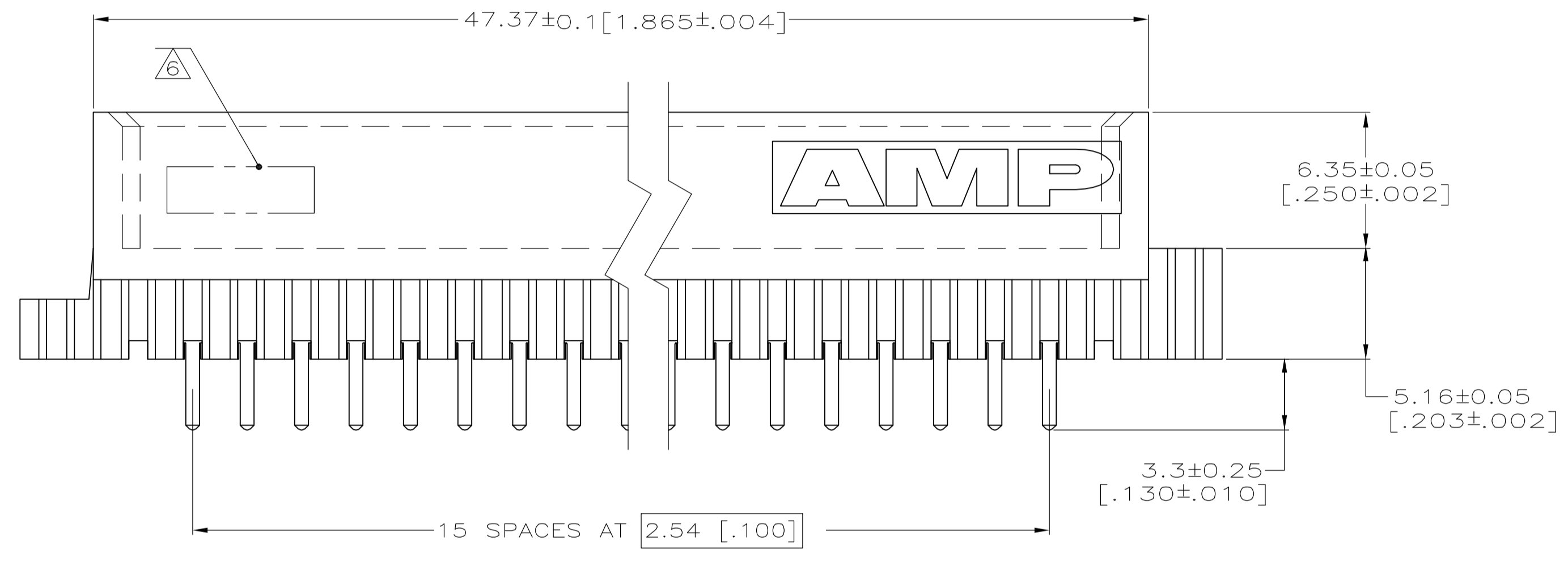


- 1 HOUSING MATERIAL: GLASS-FILLED POLYESTER. COLOR: GRAY.
- 2 POST MATERIAL: BRASS.
- 3 POST FINISH: DIN 41612 CLASS 3 IN CONTACT AREA. TIN-LEAD PLATE ON POSTS.
- 4 POST FINISH: DIN 41612 CLASS 2 IN CONTACT AREA. TIN-LEAD PLATE ON POSTS.
- 5 RECOMMENDED HOLE SIZE FOR MANUAL APPLICATION OF CONNECTOR ONTO PC BOARD.
- 6 PART NUMBER, DATE CODE MARKED THIS APPROXIMATE AREA.
- 7 MARKING ON THIS SIDE.



PC BOARD LAYOUT

OBSOLETE	1-16	X	X	X	48	650479-9
	1-16	X	X	X	48	650479-5
NOTES	POSITIONS LOADED	C	B	A	NO. OF LOADED POSITION	ASSY PART NUMBER
	ROWS LOADED					

THIS DRAWING IS A CONTROLLED DOCUMENT.

DIMENSIONS: mm[INCHES]	TOLERANCES UNLESS OTHERWISE SPECIFIED:	APPROVED: D.C. RUBENDALL	DATE: 26MAR91	NAME: D.C. RUBENDALL	PRODUCT SPEC: --	APPLICATION SPEC: --	SIZE: A1	SCALE: 5:1	WEIGHT: --	DATE: 00779	DRAWING NO: 650479	RESTRICTED TO: --
0 PLC ± -	1 PLC ± -	2 PLC ± -	3 PLC ± 0.13[.005]	4 PLC ± -	ANGLES ± -	FINISH: 1 2 3 4	CUSTOMER DRAWING	SHEET 1 OF 1	REV G			

tyco Electronics Tyco Electronics Corporation Harrisburg, PA 17105-3608  
 PIN ASSEMBLY, EUROCARD, TYPE 1/2R