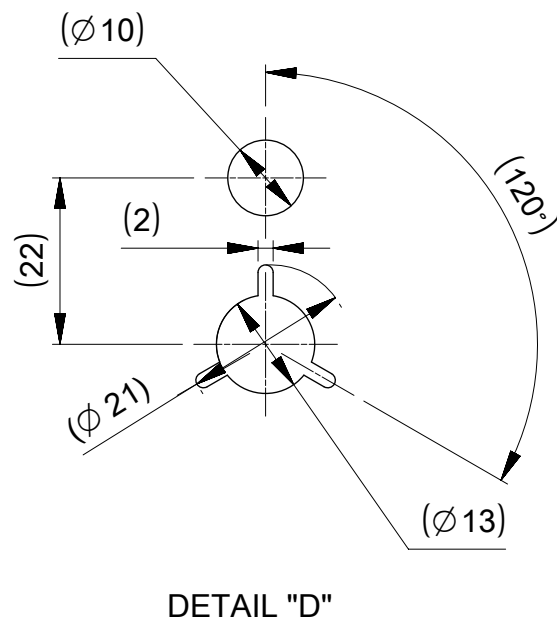
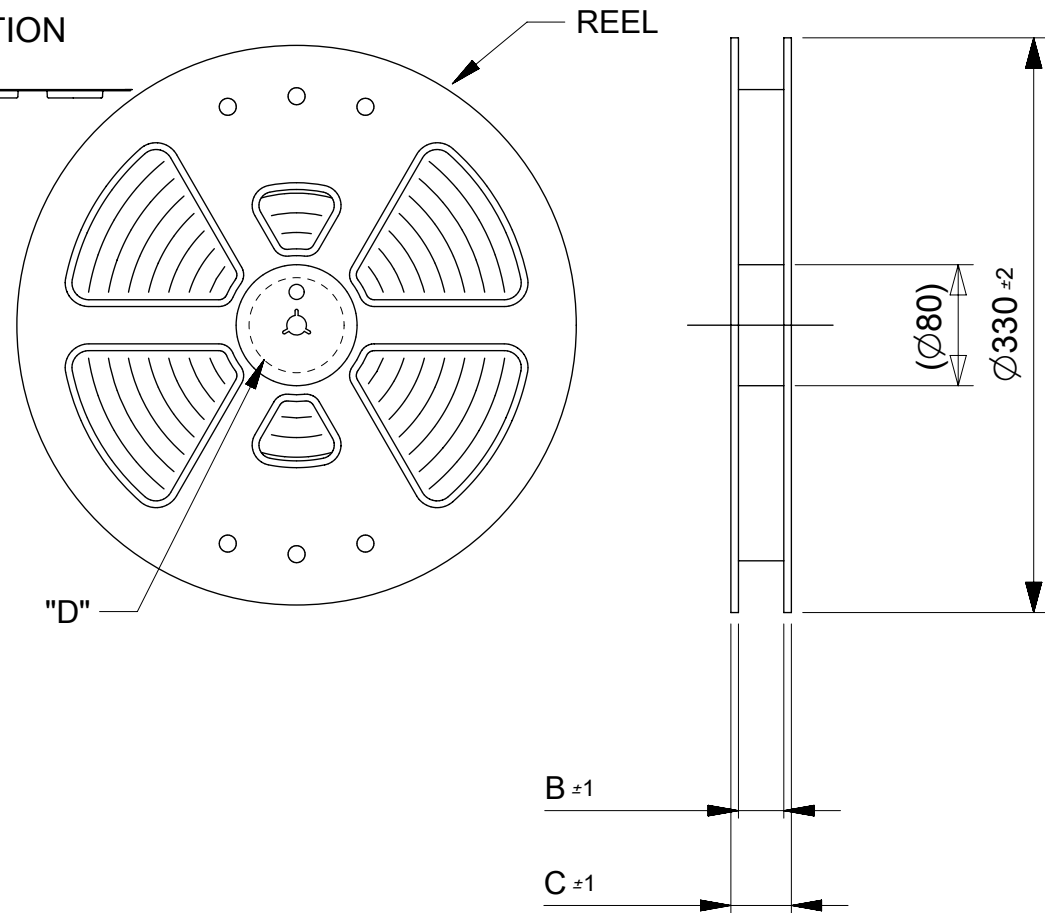
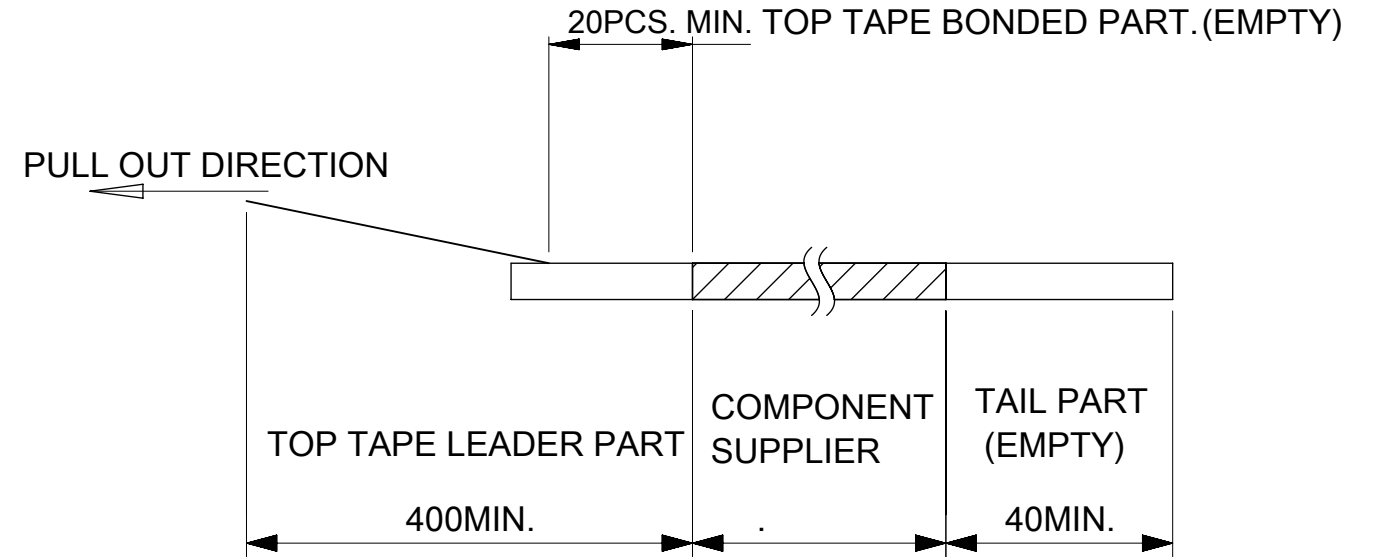


PULL OUT DIRECTION



NOTES

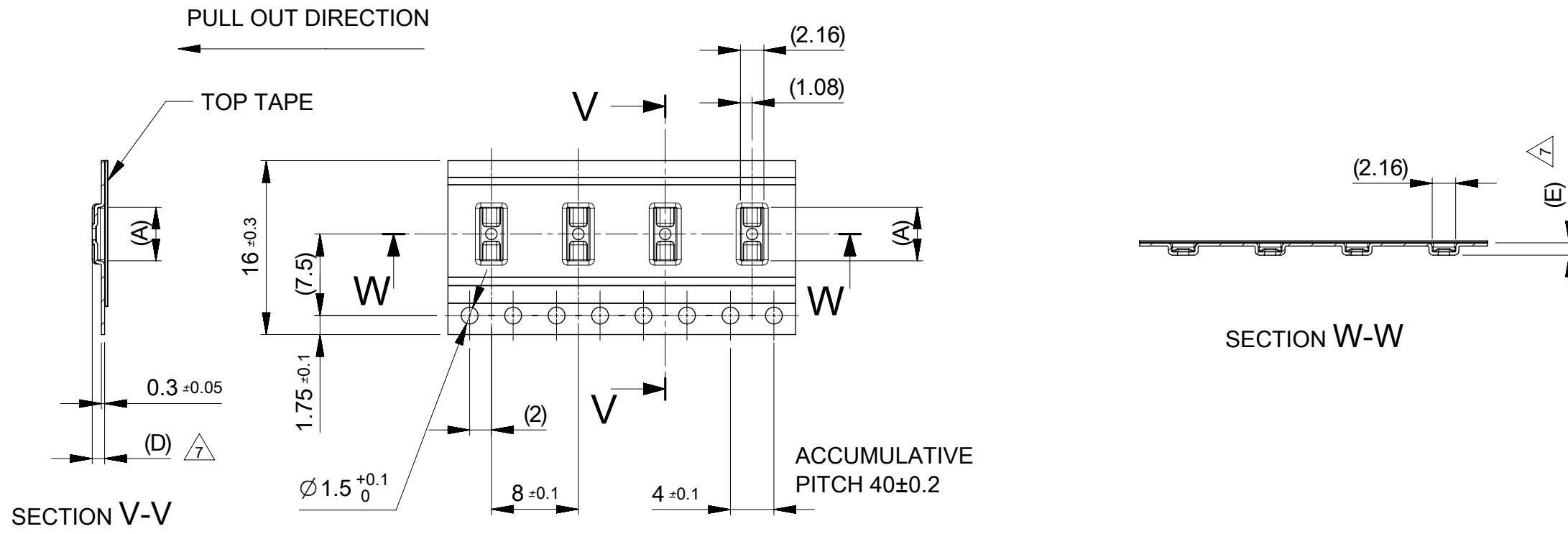
- RE DETAILED DIMENSION, SEE PRODUCT DRAWING.
- NUMBER OF CONNECTORS : 6000 PCS/REEL.
- LEAD TAPE LENGTH.



- TOP TAPE PEEL FORCE IS DEFINED BY IEC60286-3
  - MATERIAL  
CARRER TAPE :POLYSTYRENE  
TOP TAPE :PET , OTHER  
REEL :POLYSTYRENE(PS)(RECYCLE MATERIAL CONTAINED)
  - ELV AND RoHS COMPLIANT
- △ Only 6 circuit is different in this dimension.

MODEL NO. 505070-\*\*20

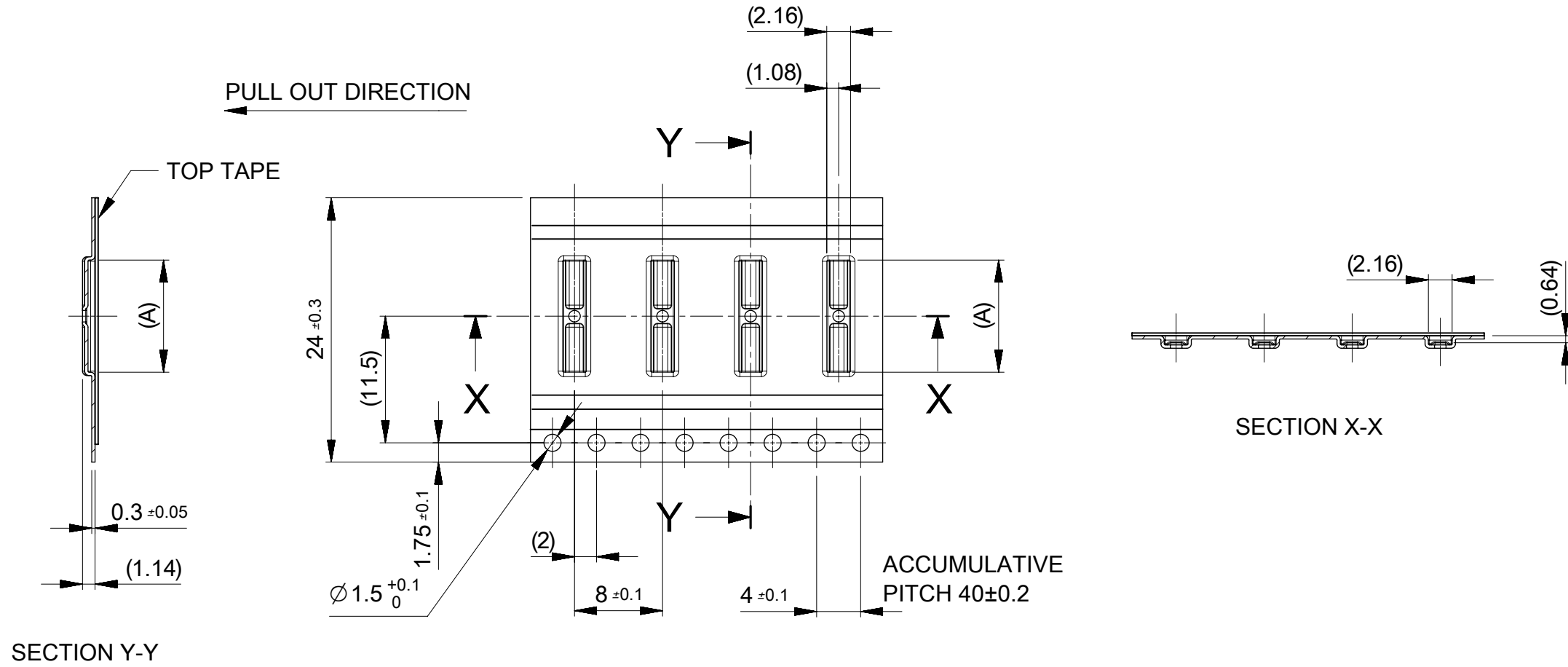
THIS DRAWING CONTAINS INFORMATION THAT IS PROPRIETARY TO MOLEX ELECTRONIC TECHNOLOGIES, LLC AND SHOULD NOT BE USED WITHOUT WRITTEN PERMISSION										
REVISED	EC NO: 110631	2016/11/17	GENERAL TOLERANCES (UNLESS SPECIFIED)		DIMENSION UNITS	SCALE	<b>molex</b> <sup>®</sup>			
	DRWN: TSOMEYA	2016/11/28	ANGULAR TOL ± 1.0 °		MM	1:5				
	CHK'D: KTANAKA03	2016/11/28	4 PLACES ± 0.01	DRWN BY	DATE	0.35 BB CONN. SSB6 RP PLUG EMBSTP PKG				
	APP: TKUSUHARA01		3 PLACES ± 0.03	STERUKI	2016/03/23					
			2 PLACES ± 0.05	CHK'D BY	DATE					
		1 PLACE ± 0.1	KTANAKA03	2016/04/01	PRODUCT CUSTOMER DRAWING					
		0 PLACES ± 0.2	APPR BY	DATE	SERIES	MATERIAL NUMBER	CUSTOMER			
			DRAFT WHERE APPLICABLE MUST REMAIN WITHIN DIMENSIONS		DRAWING SIZE	THIRD ANGLE PROJECTION	505070	SEE CHART	GENERAL	
B	REV				A3		DOCUMENT NUMBER	DOC TYPE	DOC PART	SHEET NUMBER
							5050700000	PSD	001	1 OF 3



16	0.64	1.14	21.4	17.4	6.68	505070-3020	○	---	30	
					5.63	505070-2420	○	---	24	
					5.28	505070-2220	○	---	22	
					4.93	505070-2020	○	---	20	
					4.58	505070-1820	---	---	18	
					4.23	505070-1620	○	---	16	
					3.88	505070-1420	○	---	14	
					3.53	505070-1220	○	---	12	
					3.18	505070-1020	○	---	10	
					2.78	505070-0820	---	○	8	
	0.66	1.16			2.43	505070-0620	○	---	6	
キャリアテープ幅 CARRIER TAPE WIDTH		(E)	(D)	C	B	(A)	MATERIAL No.	HIGH VOL. TOOL	LOW VOL. TOOL	CIRCUIT
								SAMPLE PREPARATION		

THIS DRAWING CONTAINS INFORMATION THAT IS PROPRIETARY TO MOLEX ELECTRONIC TECHNOLOGIES, LLC AND SHOULD NOT BE USED WITHOUT WRITTEN PERMISSION

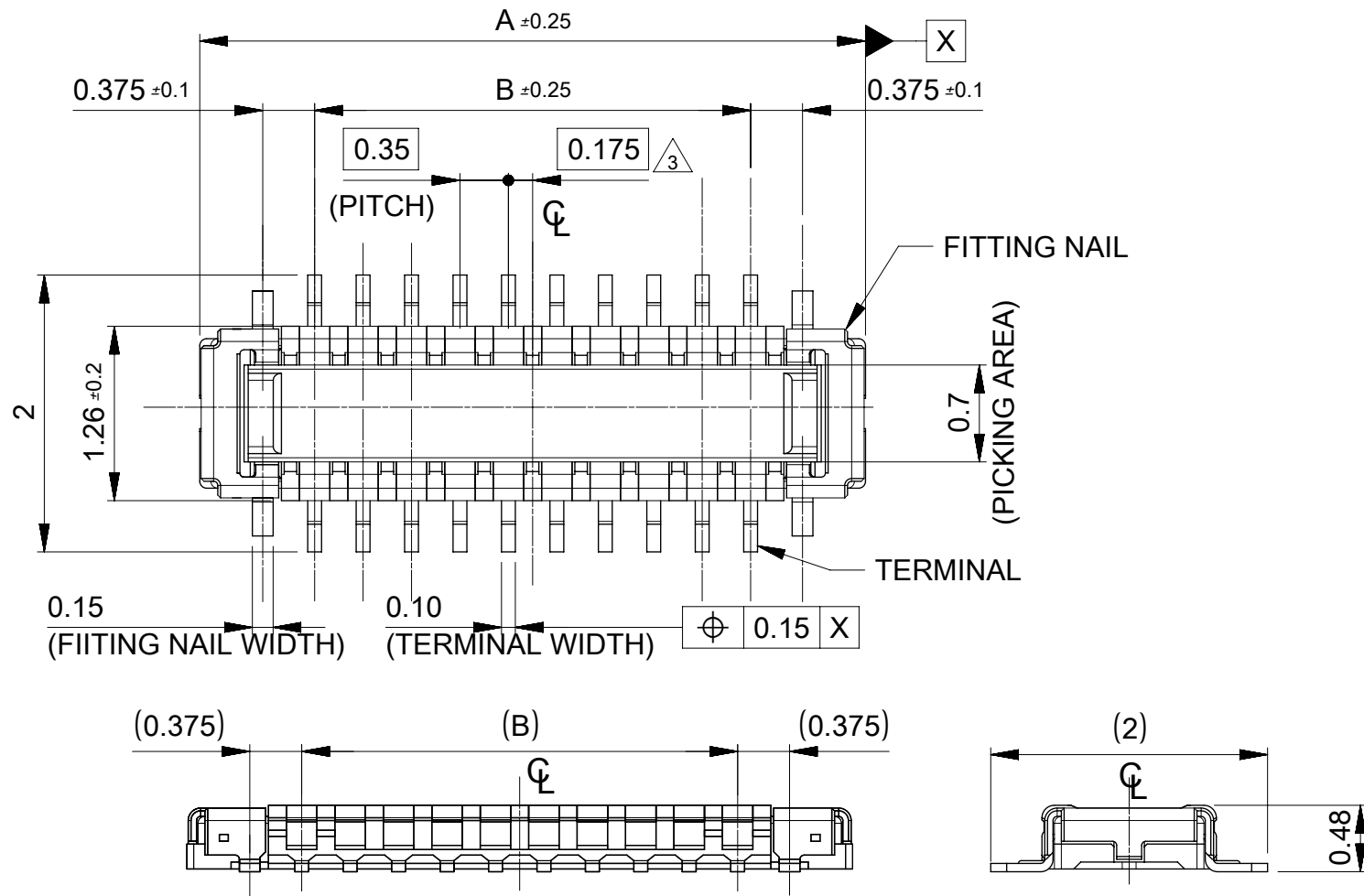
EC NO: 110631 DRWN: TSOMEYA CHK'D: KTANAKA03 APPR: TKUSUHARA01	2016/11/17	2016/11/28	2016/11/28	GENERAL TOLERANCES (UNLESS SPECIFIED) ANGULAR TOL ± 1.0 ° 4 PLACES ± 0.01 3 PLACES ± 0.03 2 PLACES ± 0.05 1 PLACE ± 0.1 0 PLACES ± 0.2 DRAFT WHERE APPLICABLE MUST REMAIN WITHIN DIMENSIONS	DIMENSION UNITS	SCALE	
	REVISOR	DATE	DATE		MM	2:1	
	STERUKI	2016/03/23	DATE		DRWN BY	DATE	
	KTANAKA03	2016/04/01	DATE		CHK'D BY	DATE	
	KMORIKAWA	2016/04/01	DATE		APPR BY	DATE	
DRAWING SIZE		THIRD ANGLE PROJECTION				0.35 BB CONN. SSB6 RP PLUG EMBSTP PKG	
A3				PRODUCT CUSTOMER DRAWING			
SERIES		MATERIAL NUMBER		CUSTOMER			
505070		SEE CHART		GENERAL			
DOCUMENT NUMBER		DOC TYPE		DOC PART		SHEET NUMBER	
5050700000		PSD		001		2 OF 3	



24	29.4	25.4	12.63	505070-6420	---	---	64
			11.93	505070-6020	---	---	60
			10.88	505070-5420	○	---	54
			10.18	505070-5020	○	---	50
			9.83	505070-4820	○	---	48
			9.48	505070-4620	---	---	46
			8.78	505070-4220	○	---	42
			8.43	505070-4020	○	---	40
			7.38	505070-3420	○	---	34
キャリアテープ幅 CARRIER TAPE WIDTH	C	B	(A)	MATERIAL No.	HIGH VOL TOOL	LOW VOL TOOL	CIRCUIT
					SAMPLE PREPARATION		

THIS DRAWING CONTAINS INFORMATION THAT IS PROPRIETARY TO MOLEX ELECTRONIC TECHNOLOGIES, LLC AND SHOULD NOT BE USED WITHOUT WRITTEN PERMISSION

EC NO: 110631 DRWN: TSOMEYA CHK'D: KTANAKA03 REV APPR: TKUSUHARA01	2016/11/17	2016/11/28	2016/11/28	GENERAL TOLERANCES (UNLESS SPECIFIED) ANGULAR TOL ± 1.0 ° 4 PLACES ± 0.01 3 PLACES ± 0.03 2 PLACES ± 0.05 1 PLACE ± 0.1 0 PLACES ± 0.2 DRAFT WHERE APPLICABLE MUST REMAIN WITHIN DIMENSIONS	DIMENSION UNITS	SCALE	
	REVISOR	DATE	DATE		MM	2:1	
	DRWN BY	DATE	DATE		STERUKI	2016/03/23	
	CHK'D BY	DATE	DATE		KTANAKA03	2016/04/01	
	APPR BY	DATE	DATE		KMORIKAWA	2016/04/01	
DRAFT WHERE APPLICABLE MUST REMAIN WITHIN DIMENSIONS		DRAWING SIZE	THIRD ANGLE PROJECTION	A3	PRODUCT CUSTOMER DRAWING SERIES: 505070 MATERIAL NUMBER: SEE CHART CUSTOMER: GENERAL		
		DOCUMENT NUMBER		DOC TYPE		DOC PART	SHEET NUMBER
		5050700000		PSD		001	3 OF 3



- 1 MATERIAL  
 WAFER: LIQUID CRYSTAL POLYMER UL94V-0 (COLOR: BLACK)  
 TERMINAL: COPPER ALLOY  
 FITTING NAIL: COPPER ALLOY
- 2 PLATING  
 TERMINAL:  
 CONTACT AREA: SEPARATED GOLD PLATING (0.1 MICROMETER MINIMUM).  
 SOLDER TAIL AREA: SEPARATED GOLD PLATING.  
 UNDERPLATE: NICKEL OVERALL.  
 \*DIVIDE INTO PARTS THE GOLD PLATING OF THE CONTACT AND THE TAIL PART BY THE NICKEL PLATING.  
 FITTING NAIL:  
 CONTACT AREA: SEPARATED GOLD PLATING (0.1 MICROMETER MINIMUM).  
 SOLDER TAIL AREA: SEPARATED GOLD PLATING.  
 UNDERPLATE: NICKEL OVERALL.  
 \*DIVIDE INTO PARTS THE GOLD PLATING OF THE CONTACT AND THE TAIL PART BY THE NICKEL PLATING.  
 \*EVEN THOUGH GOLD PLATING ON THE TOP SURFACE OF NAIL MIGHT BE THIN, NO FUNCTIONAL PROBLEM.
- △<sub>3</sub> APPLY FOR (CIRCUIT/2)=EVEN.
- 4 MATE WITH :505066-\*\*10/ 505066-\*\*20
- 5 TAIL AND FITTING NAIL COPLANARITY TO BE 0.08 MAXIMUM.
- △<sub>6</sub> PROHIBITED AREA OF PATTERN WIRING AND SOLDER.  
 (FOR EACH AREA, THE WIRING THAT TOUCHES ON THE SOLDER CAN BE ATTACHED, THEN COVERED WITH A FILM TO KEEP SOLDER OUT).
- 7 ELV and RoHS COMPLIANT.

14.76	14.16	11.90	13.56	505070-7020	---	---	70
13.71	13.11	10.85	12.51	505070-6420	---	---	64
13.01	12.41	10.15	11.81	505070-6020	---	---	60
12.66	12.06	9.80	11.46	505070-5820	---	---	58
11.96	11.36	9.10	10.76	505070-5420	○	---	54
11.26	10.66	8.40	10.06	505070-5020	○	---	50
10.91	10.31	8.05	9.71	505070-4820	○	---	48
10.56	9.96	7.70	9.36	505070-4620	---	---	46
9.86	9.26	7.00	8.66	505070-4220	○	---	42
9.51	8.91	6.65	8.31	505070-4020	○	---	40
9.16	8.56	6.30	7.96	505070-3820	---	---	38
8.46	7.86	5.60	7.26	505070-3420	○	---	34
7.76	7.16	4.90	6.56	505070-3020	○	---	30
6.71	6.11	3.85	5.51	505070-2420	○	---	24
6.36	5.76	3.50	5.16	505070-2220	○	---	22
6.01	5.41	3.15	4.81	505070-2020	○	---	20
5.66	5.06	2.80	4.46	505070-1820	---	---	18
5.31	4.71	2.45	4.11	505070-1620	○	---	16
4.96	4.36	2.10	3.76	505070-1420	○	---	14
4.61	4.01	1.75	3.41	505070-1220	○	---	12
4.26	3.66	1.40	3.06	505070-1020	○	---	10
3.91	3.31	1.05	2.71	505070-0820	---	○	8
3.56	2.96	0.70	2.36	505070-0620	○	---	6
				EMBOSSED TAPE PACKAGE	HIGH VOL. TOOL	LOW VOL. TOOL	
D	C	B	A	ORDER NO.	SAMPLE PREPARATION ○ : TOOLED △ : WORK IN PROCESS ---: TOOLING TO BE CONFIRMED		CIRCUIT

CONNECTOR SERIES NO. : 505070-\*\*19

THIS DRAWING CONTAINS INFORMATION THAT IS PROPRIETARY TO MOLEX ELECTRONIC TECHNOLOGIES, LLC AND SHOULD NOT BE USED WITHOUT WRITTEN PERMISSION

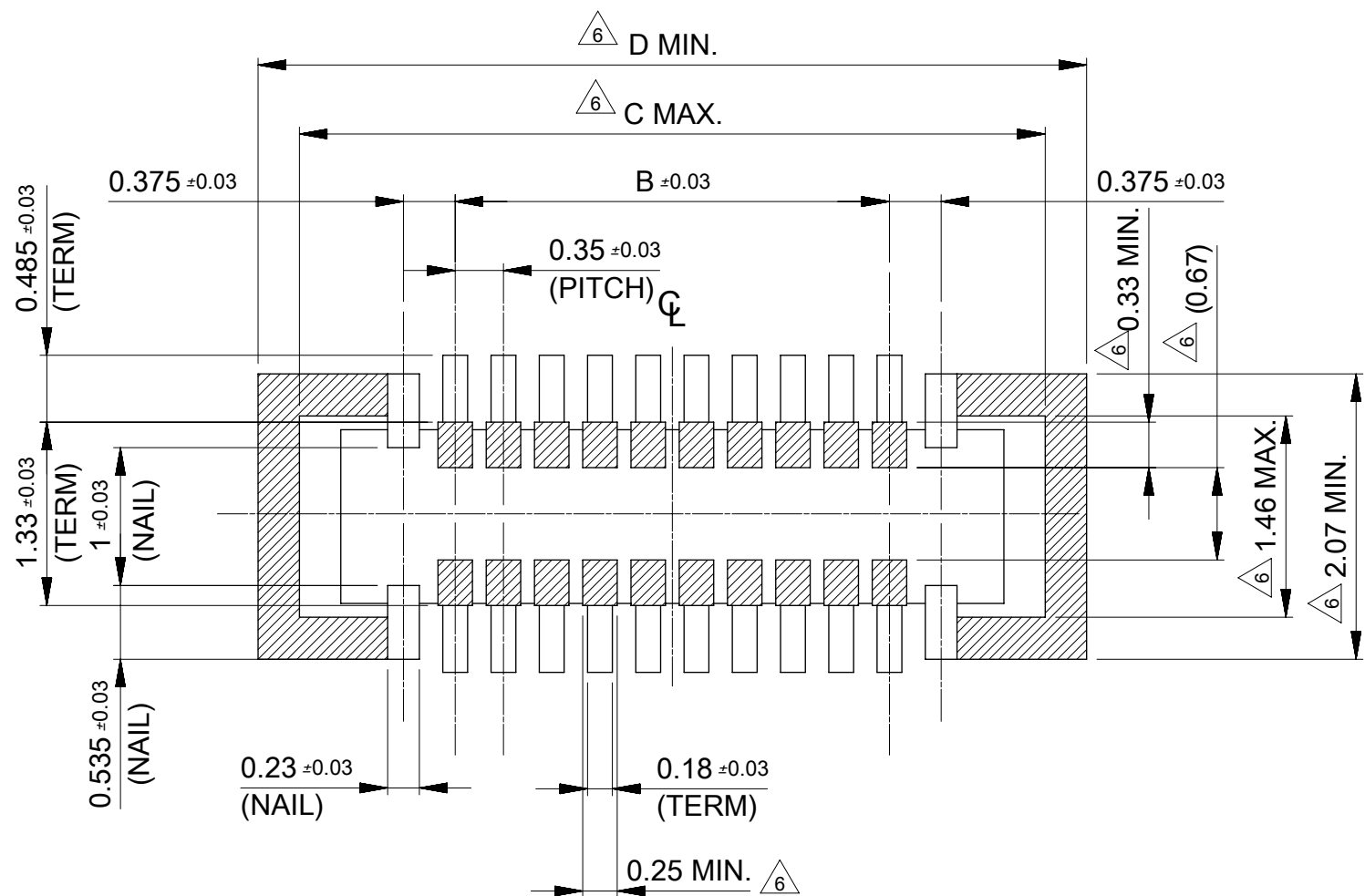
REVISED	2016/10/20	DRWN: TSOMEYA	2016/11/28	CHK'D: KTANAKA03	2016/11/28	APPR: TKUSUHARA01	
	GENERAL TOLERANCES (UNLESS SPECIFIED)		DIMENSION UNITS		SCALE		
	ANGULAR TOL ± 1.0 °		MM		20:1		
	4 PLACES ± 0.001	DRWN BY		DATE		STERUKI 2016/03/23	
	3 PLACES ± 0.003	CHK'D BY		DATE		KTANAKA03 2016/04/01	
2 PLACES ± 0.03	APPR BY		DATE		KMORIKAWA 2016/04/01		
1 PLACE ± 0.1	DRAWING SIZE		THIRD ANGLE PROJECTION				
0 PLACES ± 0.2	A3						
DRAFT WHERE APPLICABLE MUST REMAIN WITHIN DIMENSIONS							

0.35 BB CONN. SSB6 RP PLUG ASSY

PRODUCT CUSTOMER DRAWING

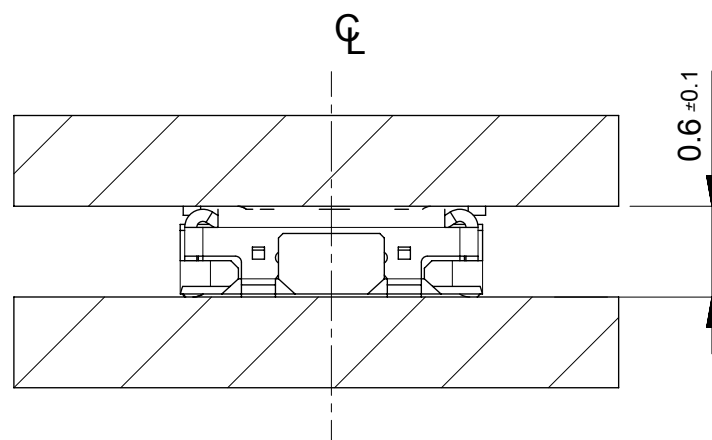
SERIES	MATERIAL NUMBER	CUSTOMER
505070	SEE CHART	GENERAL

DOCUMENT NUMBER	DOC TYPE	DOC PART	SHEET NUMBER
5050701000	PSD	001	1 OF 2

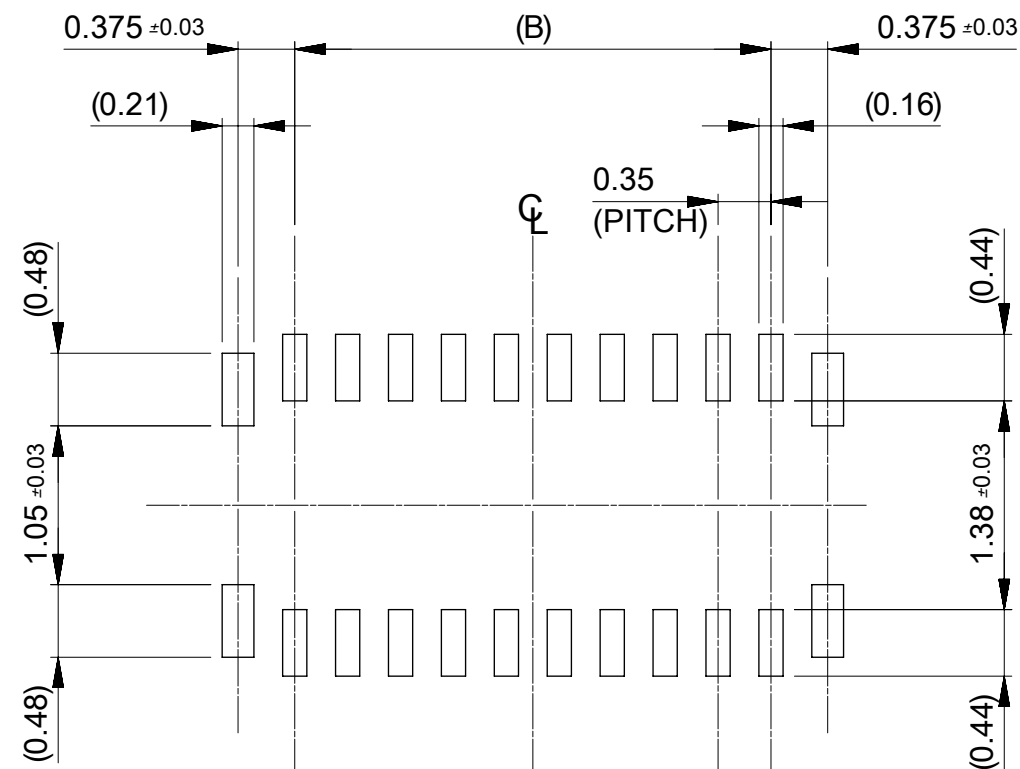


**RECOMMENDED P.W.BOARD PATTERN LAYOUT(REFERENCE)**

△ PROHIBITED AREA OF PATTERN WIRING AND SOLDER.  
 (FOR EACH AREA, THE WIRING THAT TOUCHES ON THE SOLDER CAN BE ATTACHED, THEN COVERED WITH A FILM TO KEEP SOLDER OUT.)



**MATED CONDITION**



**RECOMMENDED METAL MASK LAYOUT(REFERENCE)**

RECOMMENDED THICKNESS OF METAL MASK : t=0.08mm  
 RECOMMENDED OPEN APERTURE RATIO OF METAL MASK : 80%

THIS DRAWING CONTAINS INFORMATION THAT IS PROPRIETARY TO MOLEX ELECTRONIC TECHNOLOGIES, LLC AND SHOULD NOT BE USED WITHOUT WRITTEN PERMISSION											
REVISED	EC NO: 110631	DRWN: TSOMEYA	CHK'D: KTANAKA03	APPR: TKUSUHARA01	GENERAL TOLERANCES (UNLESS SPECIFIED)		DIMENSION UNITS	SCALE	<b>molex</b>		
	2016/10/20	2016/11/28	2016/11/28	2016/11/28	ANGULAR TOL ± 1.0 °		MM	20:1			
	4 PLACES	± 0.001	STERUKI		DATE		0.35 BB CONN. SSB6 RP PLUG ASSY				
	3 PLACES	± 0.003	KTANAKA03		DATE		PRODUCT CUSTOMER DRAWING				
	2 PLACES	± 0.03	KMORIKAWA		DATE		SERIES	MATERIAL NUMBER	CUSTOMER		
1 PLACE	± 0.1	2016/04/01		2016/04/01		505070	SEE CHART	GENERAL			
0 PLACES	± 0.2	DRAFT WHERE APPLICABLE MUST REMAIN WITHIN DIMENSIONS		DRAWING SIZE	THIRD ANGLE PROJECTION	DOCUMENT NUMBER		DOC TYPE	DOC PART	SHEET NUMBER	
B	REV	A3	A3		THIRD ANGLE PROJECTION		5050701000	PSD	001	2 OF 2	