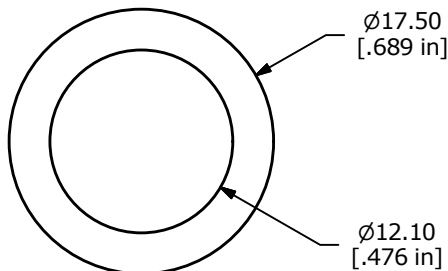


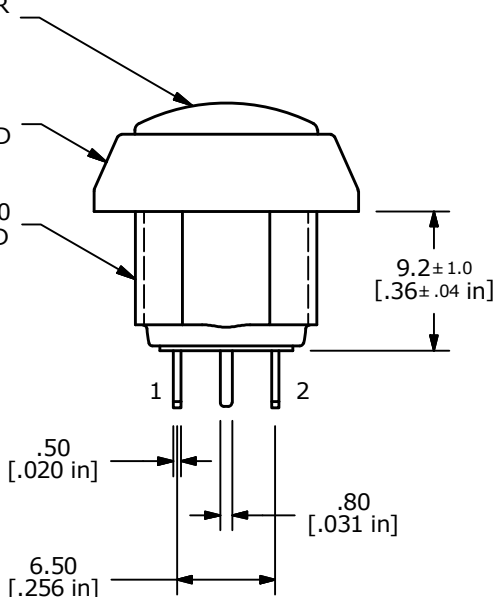
PANEL MOUNTING  
MAX. PANEL THICKNESS 4mm



▲ DOMED ACTUATOR  
COLOR: GREEN

▲ BODY COLOR:  
BLACK ANODIZED

M12x1.0  
THREAD



7.2±1.0  
[.28±.04 in]

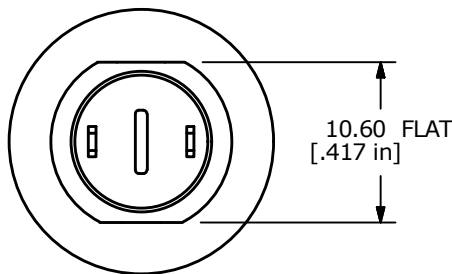
13.0±1.0  
[.51±.04 in]

4.20  
[.165 in]

2.00  
[.079 in]

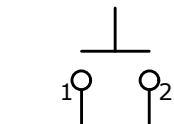
5.10  
[.201 in]

10.60 FLAT  
[.417 in]



SWITCH FUNCTION	
POS. 1	POS. 2
OFF	(ON)
OPEN	1-2

(ON) = MOMENTARY



▲ CIRCUIT: SPST

NOTE:

1. ALL DIMENSIONS IN MM [INCH]
2. GENERAL TOLERANCE: X.X=±0.4  
X.XX=±0.25
3. TERMINAL NUMBERS FOR REF ONLY
- ▲ 4. CONTACT MATERIAL: SILVER
5. RATING: 2A @ 36 VDC
6. ELECTRICAL LIFE: 200,000 CYCLES
7. CONTACT RESISTANCE: 50 mΩ MAX. @ 1A 12VDC (INITIAL)
8. INSULATION RESISTANCE: 1,000 MΩ MIN. @ 500VDC.
9. DIELECTRIC STRENGTH: 2,000 VAC rms.
10. OPERATING TEMPERATURE: -20°C TO +70°C.
11. PANEL THICKNESS MAX: 4.0 mm.
12. INGRESS PROTECTION: IP65
13. ▲ DENOTES CRITICAL PARAMETER.
14. 2011/65/EU (ROHS) COMPLIANT
- ▲ 15. HARDWARE INCLUDED, 1 O-RING & 1 HEX NUT.(NOT SHOWN)



B	22668	UPDATED FLAT ALIGNMENT	1/9/17	MJR
A	00122	INITIAL RELEASE	9/21/09	CAB
REV	PCR NO	DESCRIPTION	DATE	BY

TITLE PV5S24018				
SCALE	DATE	DR	DWG	REV
2:1	9/21/2009	CAB	52-PV5S24018	B

THE INFORMATION CONTAINED IN THIS DOCUMENT IS PROPRIETARY TO E-SWITCH AND IS NOT TO BE COPIED OR TRANSFERRED