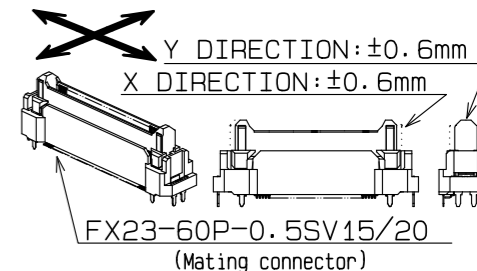
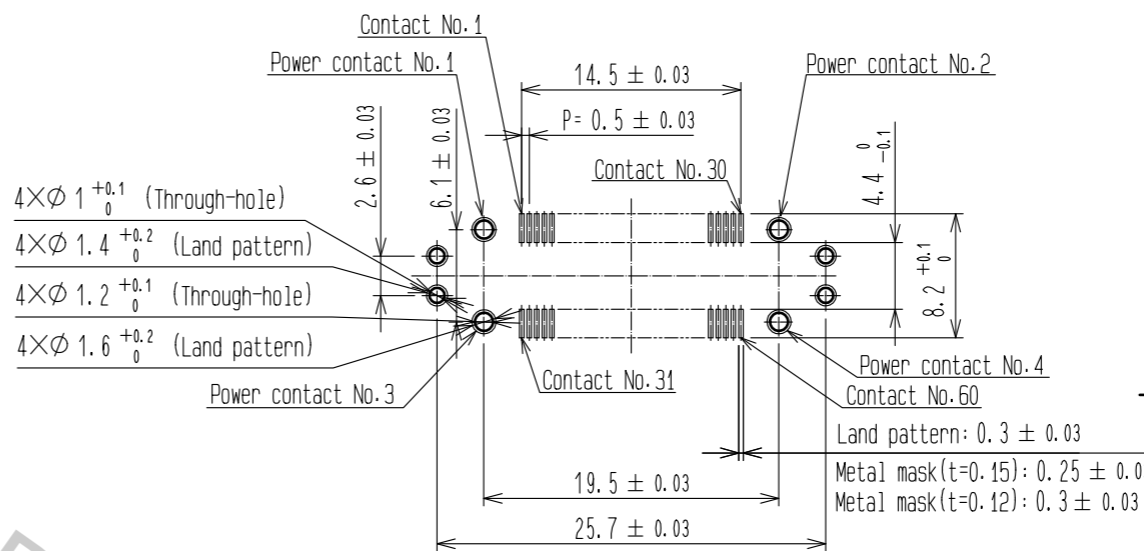
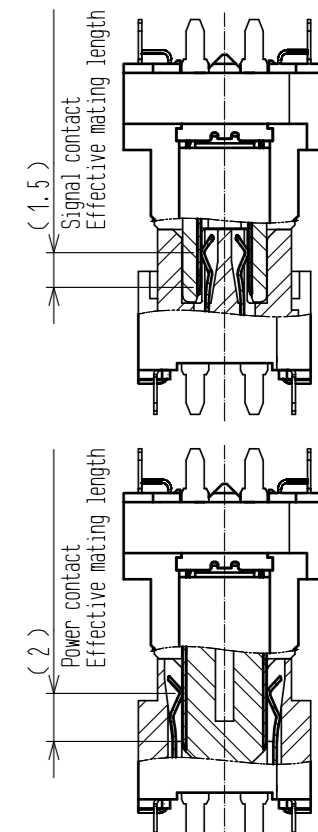


RECOMMENDED LAND PATTERN DIMENSION OF PCB
(PCB THICKNESS: $t=1.6\text{mm}$)

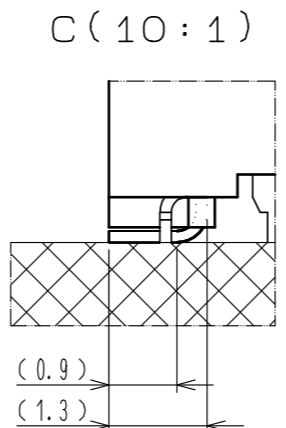
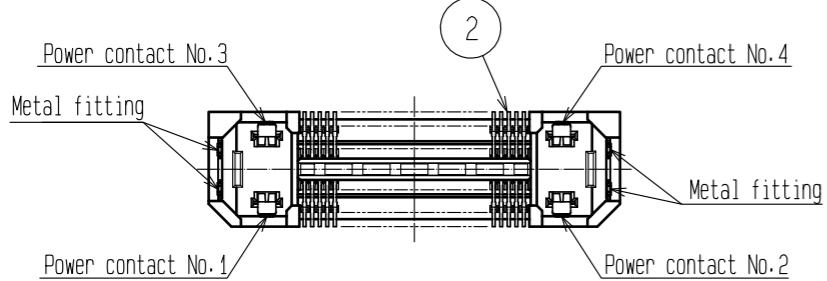
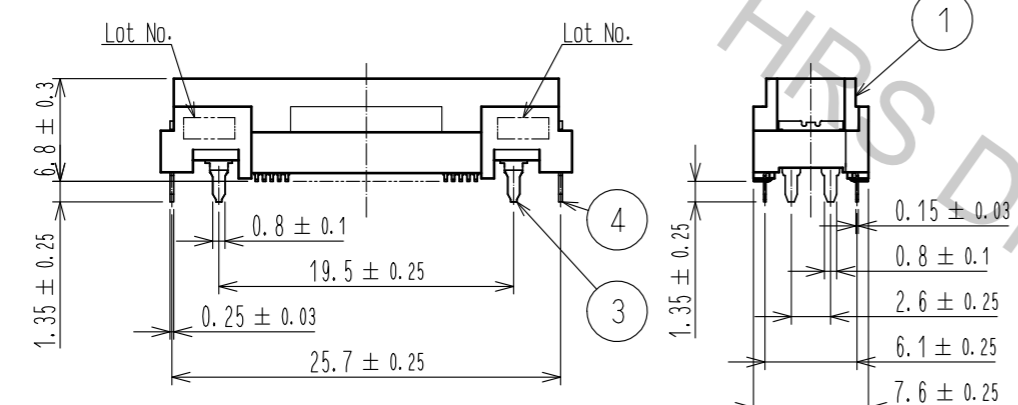
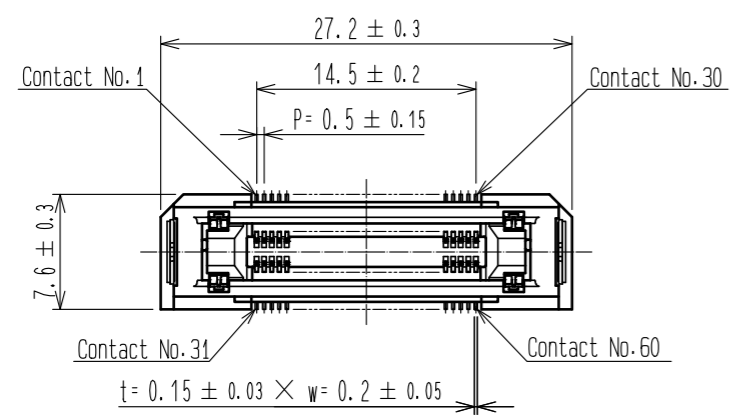
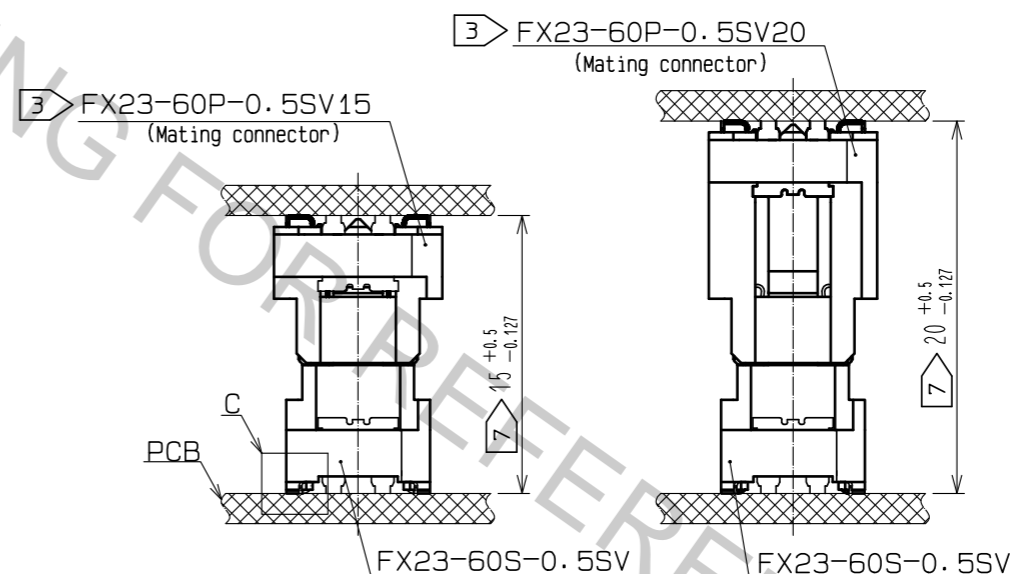
FLOATING RANGE



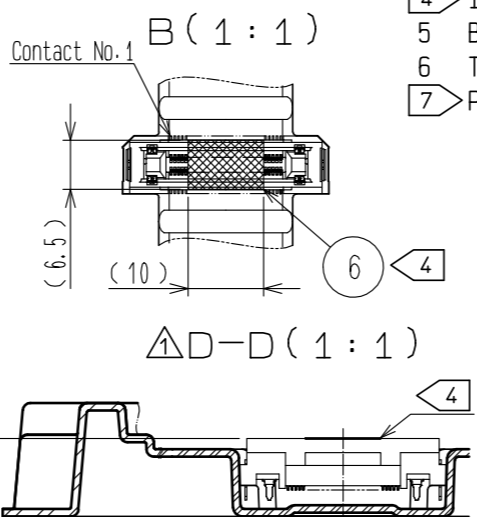
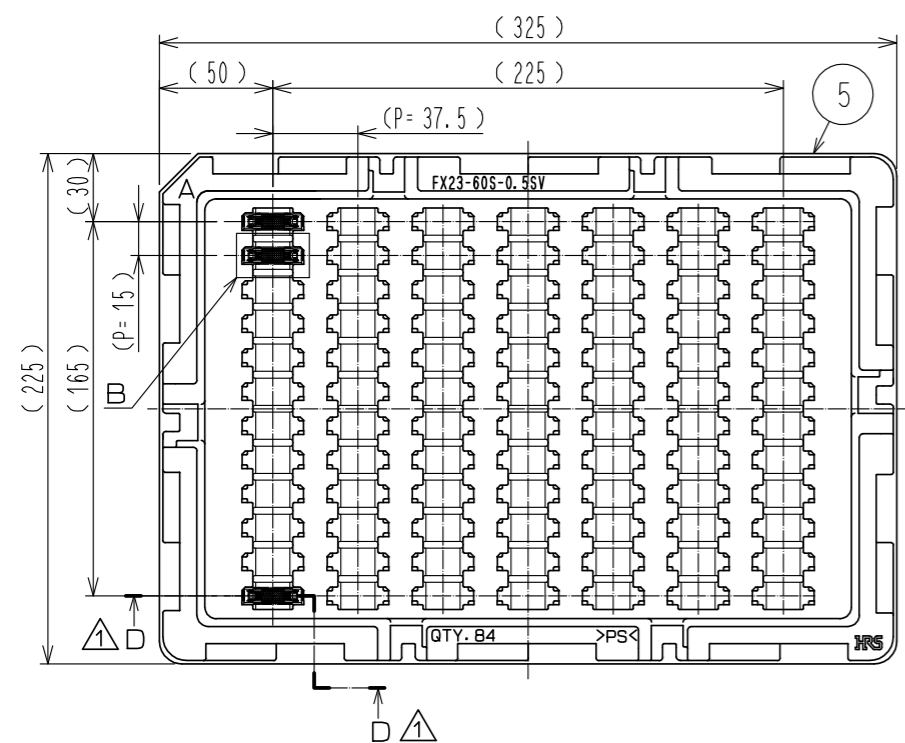
CROSS SECTION OF MATING
(No scale)



PCB DISTANCE (No scale)



DRAWING FOR PACKING (No scale)



- Lead CO-Planarity is 0.1mm MAX.
- This is packaged in tray. (84pcs/tray)
- Floating range of this connector is ±0.6mm MAX.
- It shows the vacuum pickup area. Remove the mylar tape before mating connectors.
- Blemish and hit mark can be occurred through out the manufacturing process which doesn't affect quality level.
- The dimensions in parentheses are for references.
- Please use the connectors within the specified PCB distance.

2	COPPER ALLOY	CONTACT AREA: GOLD 0.1 μm LEAD AREA: GOLD 0.03 μm UNDER PLATING: NICKEL 1.3 μm	6	POLYIMIDE	(TAPE FOR VACUUM PICKUP)
1	LCP	BLACK UL94V-0	5	POLYSTYRENE	(TRAY)
			4	BRASS	LEAD AREA: TIN-PLATING 3 μm UNDER PLATING: NICKEL 1 μm
			3	COPPER ALLOY	CONTACT AREA: GOLD 0.1 μm LEAD AREA: TIN-PLATING 1 μm UNDER PLATING: NICKEL 1.3 μm
NO.	MATERIAL	FINISH . REMARKS	NO.	MATERIAL	FINISH . REMARKS
UNITS mm		SCALE 2 : 1	COUNT 3	DESCRIPTION OF REVISIONS DIS-F-00001543	DESIGNED TS.00NO
HRS HIROSE ELECTRIC CO., LTD.		APPROVED : HS. OKAWA 15.02.10	DRAWING NO. EDC-353553-00-00		CHECKED KN. SHIBUYA
		CHECKED : KN. SHIBUYA 15.02.10	PART NO. FX23-60S-0.5SV		DATE 16.08.24
		DESIGNED : TS.00NO 15.02.10	CODE NO. CL573-3203-5-00		
		DRAWN : TS.00NO 15.02.10			

Apr.1.2017 Copyright 2017 HIROSE ELECTRIC CO., LTD. All Rights Reserved.