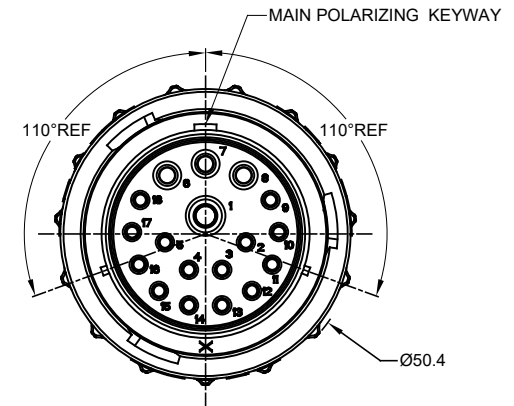
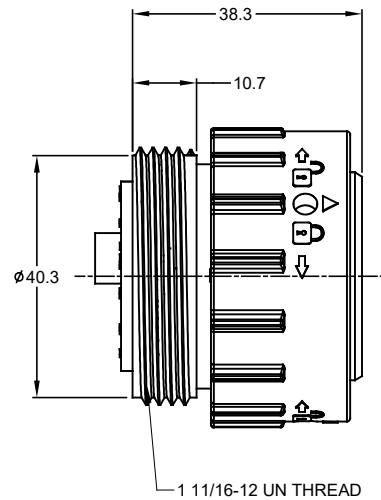
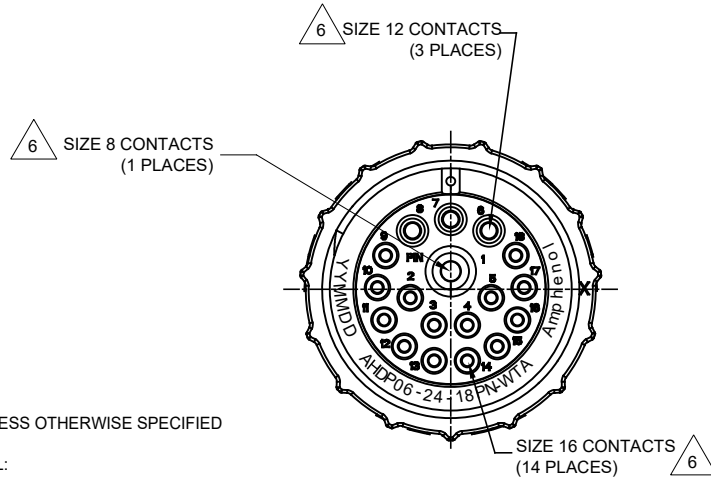


| REVISIONS |     |                     |         |       |       |
|-----------|-----|---------------------|---------|-------|-------|
| REV       | ECO | DESCRIPTION         | DATE    | BY    | APPR  |
| A1        | --  | RELEASE NEW DRAWING | 09MAY17 | RIMON | TOMMY |



NOTES: UNLESS OTHERWISE SPECIFIED

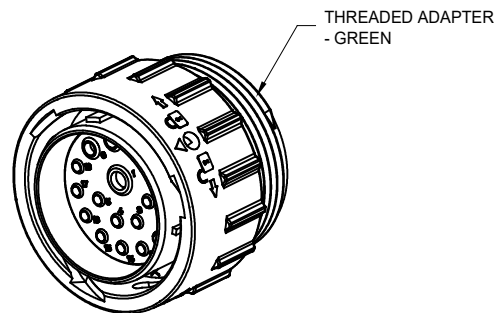
- MATERIAL:  
HOUSING: THERMOPLASTIC; BLACK  
SEAL: SILICONE RUBBER
- MODIFICATIONS: THREADED ADAPTER;
- SPECIFICATIONS:
  - OPERATING TEMPERATURE: -55°C TO +125°C.
  - DIELECTRIC WITHSTANDING VOLTAGE: LESS THAN 2 MILLIAMPS CURRENT LEAKAGE @ 1500 VOLTS AC.
  - INSULATION RESISTANCE: 1000 MEGOHM MIN @ 25°C.
  - MOISTURE RESISTANCE: IP67&IP69K ( MATED CONDITION ).
  - MATING CYCLE DURABILITY: 100 CYCLES
  - RoHS COMPLIANT

4. MATING PART: AHDP04-24-18P\* (\* = SEAL TYPE)

5. ALL DIMENSIONS ARE FOR REFERENCE USE ONLY.

6 CONTACT SIZE AND WIRE RANGE:

| CONTACT SIZE | MIN. INSUL O.D.   | MAX. INSUL O.D.   | TYPICAL WIRE RANGE | CURRENT RATING |
|--------------|-------------------|-------------------|--------------------|----------------|
| 08           | 4.83 mm (.190in)  | 6.10 mm (.240 in) | 8-10 AWG           | 60 AMPS        |
| 12           | 3.43 mm (.135 in) | 4.32 mm (.170 in) | 10-14 AWG          | 25 AMPS        |
| 16           | 2.54 mm (.100in)  | 3.40 mm (.134 in) | 14-20 AWG          | 13 AMPS        |



| AHDP06-24-18PN-WTA                    |  | PART NUMBER         |  | DESCRIPTION |  | ITEM   |
|---------------------------------------|--|---------------------|--|-------------|--|--|
| <b>MATERIALS LIST</b>                 |  |                     |  |             |  |  |
| UNLESS OTHERWISE SPECIFIED:           |  |                     |  |             |  |  |
| 1) All dimensions are in metric (mm). |  |                     |  |             |  |  |
| 2) Tolerances are as follows:         |  |                     |  |             |  |  |
| 1 PL DEC ±0.30 Fractions ±1/64        |  |                     |  |             |  |  |
| 2 PL DEC ±0.15 Angles ±1°             |  |                     |  |             |  |  |
| 3 PL DEC ±0.08                        |  |                     |  |             |  |  |
| 3) Note reference =                   |  |                     |  |             |  |  |
| MATERIAL SPECIFICATIONS:              |  | SIGNATURES          |  | DATE        |  | <br>Sine Systems - www.amphenol-sine.com<br>44724 Morley Drive<br>Clinton Township, MI 48036<br><b>PLUG,24-18 POS,PIN CONTACT<br/>           STANDARD DIA. SEAL, AHDP SERIES</b> |
| PROCESS SPECIFICATIONS:               |  | DRAWN: RIMON,MA     |  | 09MAY17     |  |  |
| NEXT ASSY:                            |  | CHECKED: ORION,LI   |  | 09MAY17     |  |  |
|                                       |  | APPROVAL: TOMMY,XIE |  | 09MAY17     |  |  |
|                                       |  | CUSTOMER:           |  |             |  | SIZE: <b>B</b> TYPE: <b>C-</b> DWG NO: <b>AHDP06-24-18PN-WTA</b> REVISION: <b>A1</b><br>SCALE: NONE SHEET 1 OF 1   |

TITLE: PLUG,24-18 POS,PIN CONTACT,REDUCED DIA, SEAL,AHDP DWG NO: AHDP06-24-18PN-WTA REV: A1 SH 1 OF 1