

REVISIONS		
LTR	DESCRIPTION	DATE
K	ECO-09-027564	12/11/2009

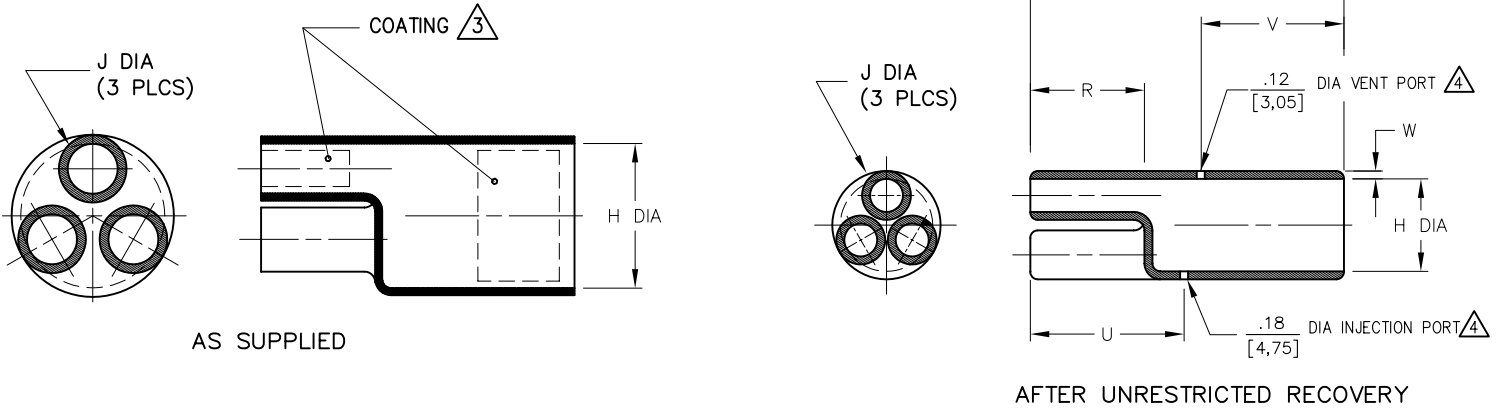
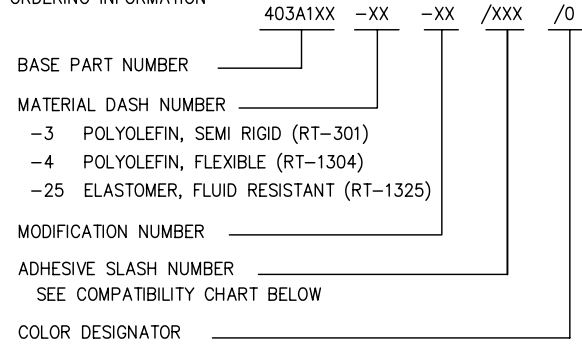
NOTES

1. ALL DIMENSIONS ARE IN $\frac{\text{INCHES}}{\text{[MILLIMETERS]}}$
2. DIMENSIONS APPEARING IN TABLE ARE AS FOLLOWS:
 - a - AS SUPPLIED
 - b - AFTER UNRESTRICTED RECOVERY

3 COATING (ADHESIVE): IS OPTIONAL AS SUPPLIED DIMENSIONS APPEARING IN TABLE ARE FOR UNCOATED PARTS. WHEN COATING IS ADDED, ENTRY DIAMETER WILL BE REDUCED BY .06 [1.5] MAX.

4 MOLDING PORTS ARE OPTIONAL. WHEN -00 MODIFICATION NUMBER IS SPECIFIED MOLDING PORTS WILL BE LOCATED AS SHOWN.

5. ORDERING INFORMATION



PART DESCRIPTION	H		J		P ±10%	R MIN	W ±20%	U REF	V REF
	MIN a	MAX b	MIN a	MAX b					
403A123	1.25 [31,7]	.69 [17,5]	.55 [14,0]	.18 [4,6]	3.50 [88,9]	.80 [20,3]	.09 [2,3]	1.34 [34,0]	1.48 [37,6]
403A134	1.75 [44,4]	.90 [22,8]	.87 [22,0]	.32 [8,1]	3.50 [88,9]	1.20 [30,5]	.12 [3,1]	1.59 [40,4]	1.59 [40,4]
403A145	2.46 [62,5]	1.40 [35,6]	1.16 [29,5]	.50 [12,7]	5.00 [127,0]	1.50 [38,1]	.12 [3,0]	2.19 [55,6]	2.00 [50,8]
403A155	2.76 [70,1]	1.40 [35,6]	1.16 [29,5]	.50 [12,7]	5.00 [127,0]	1.50 [38,0]	.12 [3,0]	2.19 [55,6]	2.00 [50,8]

If this document is printed it becomes uncontrolled. Check for the latest revision

CUSTOMER DRAWING

MATERIAL DASH NO.	ADHESIVE (COATING) SLASH NO.	ADHESIVE (COATING) S NO.
-3	/42; /86; /87	S-1017; S-1048; S-1052
-4	/42; /86; /87	S-1017; S-1048; S-1052
-25	/86;	S-1048;

UNLESS OTHERWISE SPECIFIED DIMENSIONS ARE INCHES. METRIC DIMENSIONS ARE IN BRACKETS. DECIMAL TOLERANCES .xxx ± 0.005 [0.13 mm] .xx ± 0.01 [0.25 mm] .x ± 0.1 [0.50 mm] ANGLE TOLERANCE .x ± 1 DEG. TYCO ELECTRONICS RESERVES THE RIGHT TO AMEND THIS DRAWING AT ANY TIME. USERS SHOULD EVALUATE THE SUITABILITY OF THE PRODUCT FOR THEIR APPLICATION. © 2008-2009 Tyco Electronics Corporation. All rights reserved.	DRAWN UNGUYEN	 Raychem Molded Parts 305 Constitution Dr Menlo Park, CA 94025
	APPROVED STRAN	
THIRD ANGLE PROJECTION 	SIZE B	CODE IDENT. NO. 06090 DWG. NO. 403A123thru155
DO NOT SCALE THIS DRAWING		SHEET 1 OF 1