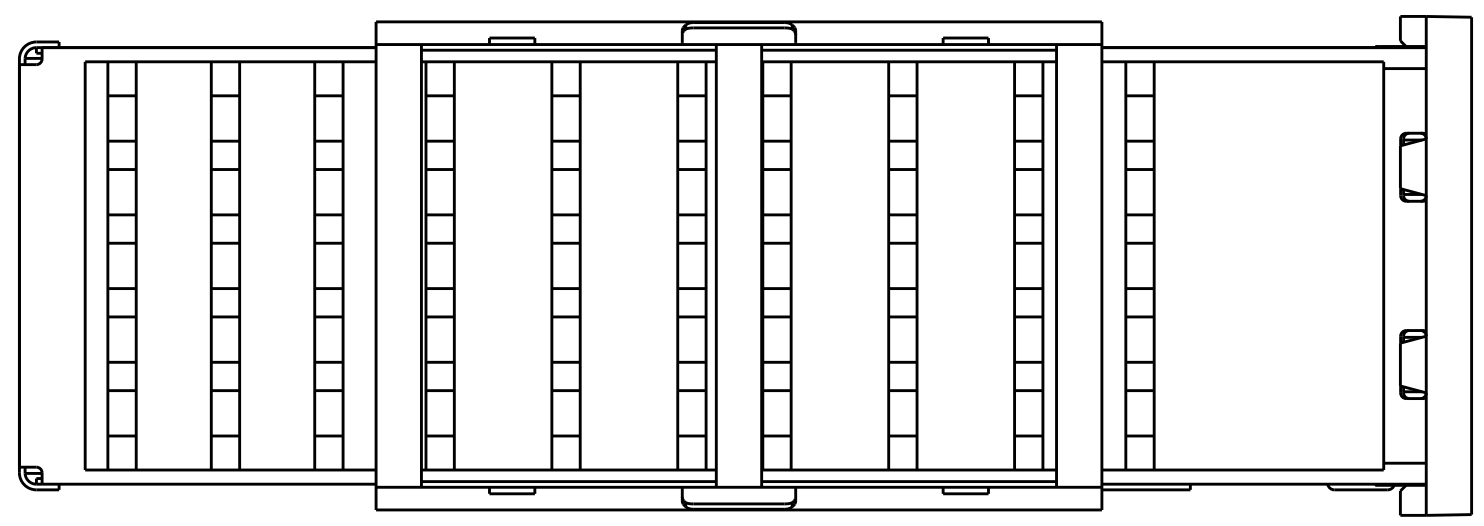
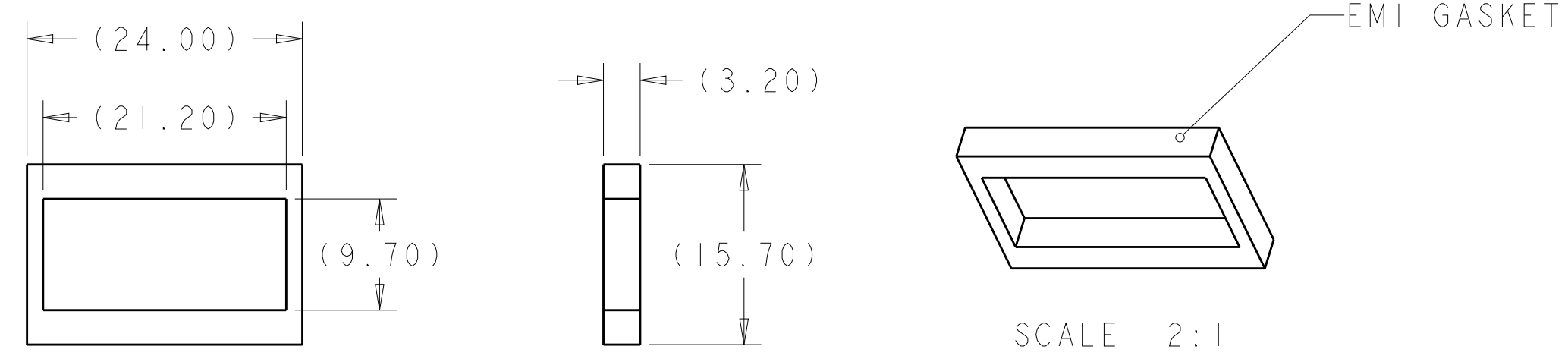
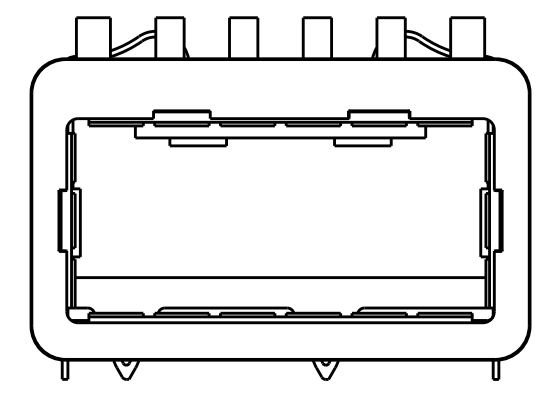
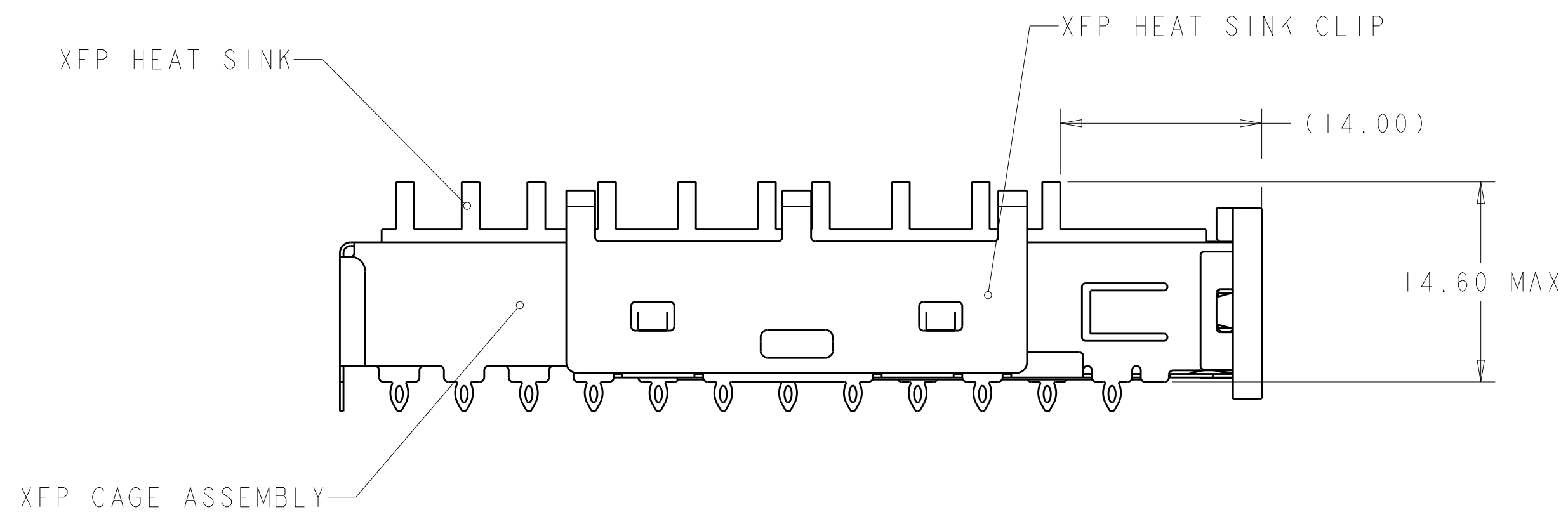


THIS DRAWING IS UNPUBLISHED. RELEASED FOR PUBLICATION 20
 © COPYRIGHT 20 BY - ALL RIGHTS RESERVED.

LOC	DIST	REVISIONS					
ES	00	P	LTR	DESCRIPTION	DATE	DWN	APVD
		A		REV PER ECR-12-003021	2FEB2012	DZ	AC
		B		REV PER ECR-12-018839	29OCT2012	DZ	AC



- MATES WITH XFP MSA COMPLIANT TRANSECIVERS
 - SEE COMPONENT DRAWINGS FOR COMPONENT DIMENSIONS AND INFORMATION.
- △ EMI GASKET IS SHIPPED UNASSEMBLED TO CAGE ASSEMBLY.



SCALE 2:1

SCALE 2:1

2132186-2	2170202-2	1489948-2	2170200-1	2170199-1
△ EMI GASKET	HEATSINK PART NUMBER	HEATSINK CLIP PART NUMBER	CAGE PART NUMBER	PART NUMBER

THIS DRAWING IS A CONTROLLED DOCUMENT.		DWN D. ZHU 24NOV2011	TE Connectivity	
DIMENSIONS: mm		CHK D. ZHU 24NOV2011		
TOLERANCES UNLESS OTHERWISE SPECIFIED:		APVD A. CAI	NAME XFP KIT ASSEMBLY	
0 PLC ±		PRODUCT SPEC 108-2127	-	
1 PLC ±		APPLICATION SPEC 114-13096	-	
2 PLC ±		WEIGHT -	SIZE A200779	CAGE CODE C-2170199
3 PLC ±		Customer Drawing	RESTRICTED TO -	
4 PLC ±			SCALE 4	SHEET 1
ANGLES ±		REV B		
FINISH				