

Apr.1.2017 Copyright 2017 HIROSE ELECTRIC CO., LTD. All Rights Reserved.

COUNT	DESCRIPTION OF REVISIONS	BY	CHKD	DATE	COUNT	DESCRIPTION OF REVISIONS	BY	CHKD	DATE
△				..	△				..
△				..	△				..
△				..	△				..

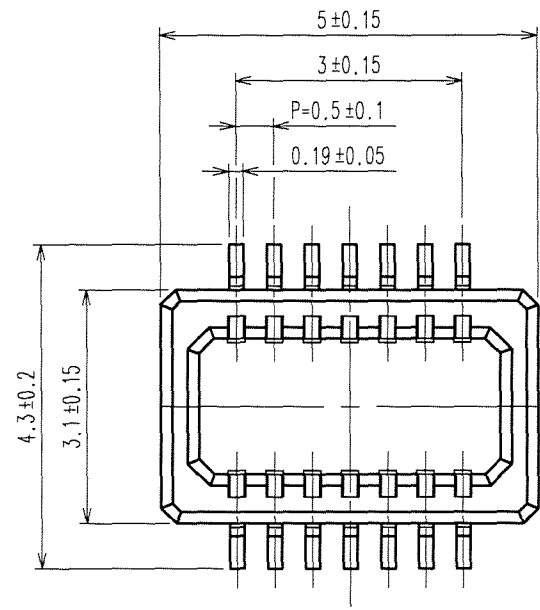


Fig.1 : RECOMMENDED PATTERN

Fig.2 : PLATING SPECIFICATION (40:1)

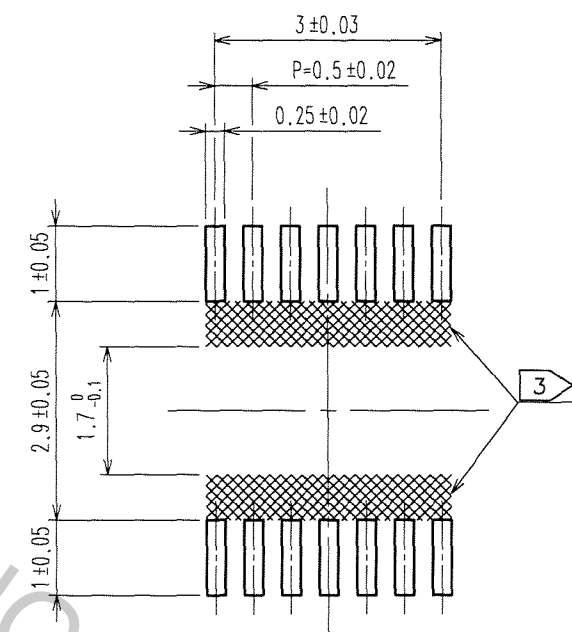


Fig.3 : A-A CROSS SECTION VIEW

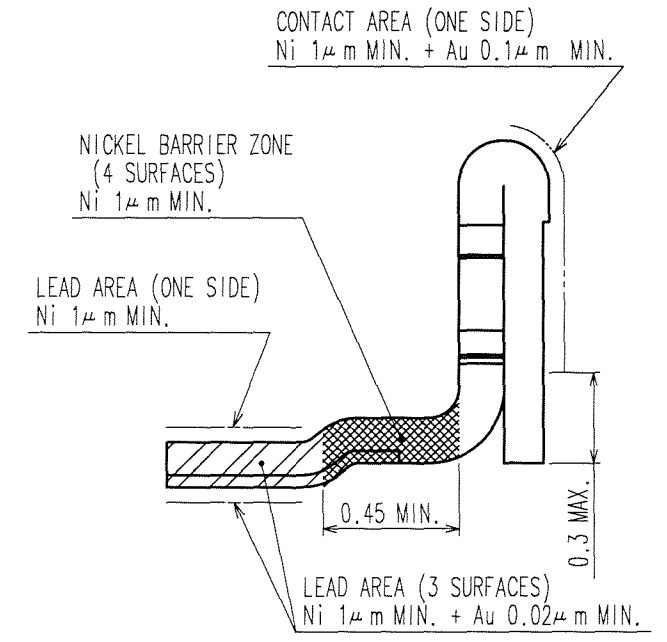
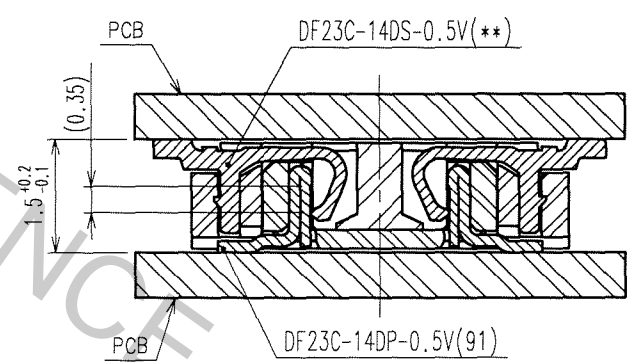
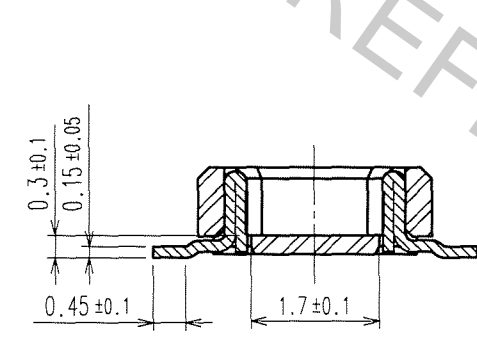
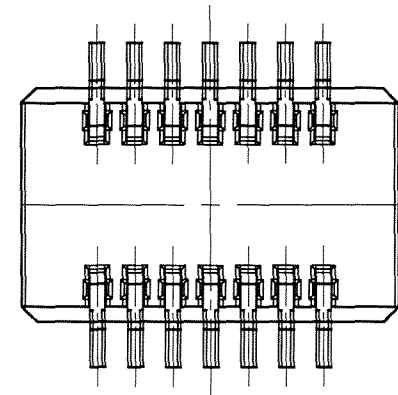
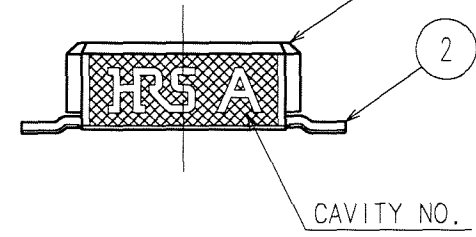
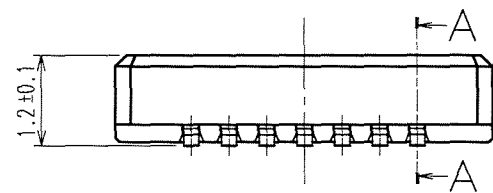


Fig.4 : MATING VIEW

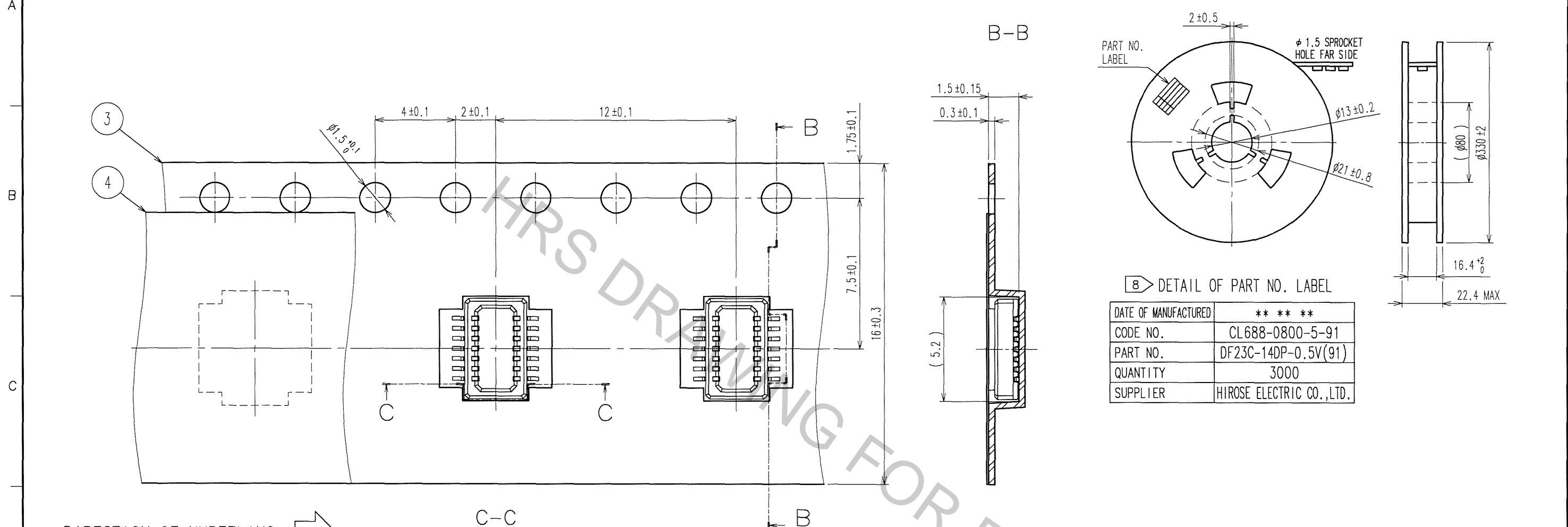


- NOTES 1 LEAD CO-PLANARITY SHALL BE 0.1mm MAX.
 2 REFER TO Fig.2
 3 WHEN A PART MARKED WITH [Hatched] HAS A PATTERN BUT NO RESIST ON IT, TAKE CARE TO PREVENT THE CONNECTOR FROM TOUCHING IT.
 4 THE DIMENSIONS IN PARENTHESES ARE FOR REFERENCE.

TO

2	PHOSPHOR BRONZE	2	4	POLYESTER	CLEAR(COVER TAPE)
1	LCP	BLACK,UL94V-0	3	PS	CLEAR(EMBOSSED CARRIER TAPE)
NO.	MATERIAL	FINISH, REMARKS	NO.	MATERIAL	FINISH, REMARKS
CODE NO. (OLD)			DRAWN	DESIGNED	CHECKED
			A.Aoyagi	J. Yamamoto	T. Niigaki
			'07. 6. 6	07. 6. 6	07.06.07
				M. Kobayashi	
				07.06.07	
DRAWING NO. EDC3-163722-03			PART NO. DF23C-14DP-0.5V(91)		
SCALE 10 : 1			CODE NO. CL688-0800-5-91		
UNITS mm			1/2		

Fig.6 :STYLE AND DIMENSIONS OF REEL(FREE)



DIRECTION OF UNREELING →

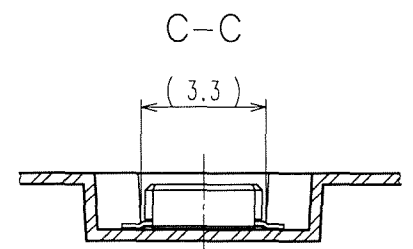
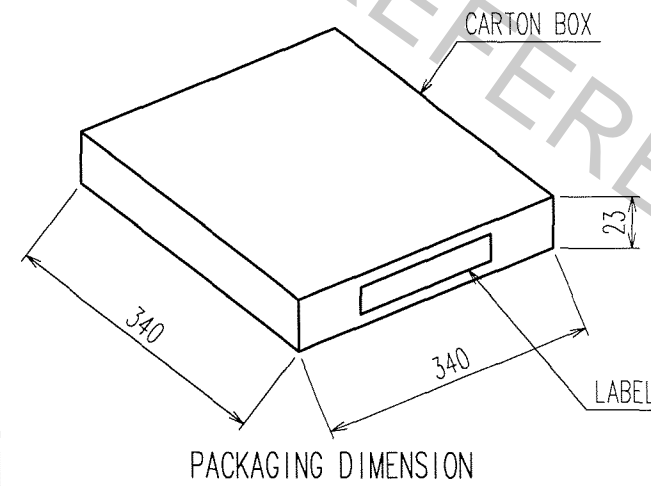
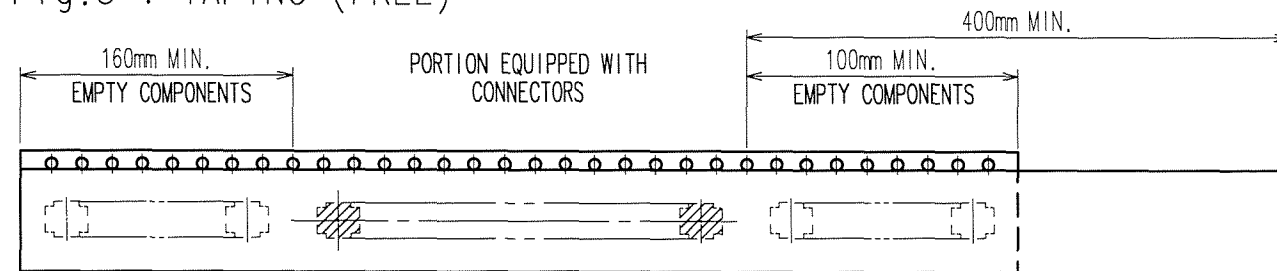


Fig.7 : PACKAGING SPECIFICATION (FREE)

Fig.5 : TAPING (FREE)



CODE NO.	688-0800-5-91	NUMBER OF REELS PER BOX	1RL
品名	DF23C-14DP-0.5V(91)	数量	3000 個
PART NO.	DF23C-14DP-0.5V(91)	QTY	3000 個
PART NO.	NUMBER OF PRODUCTS PER REEL		

DETAIL OF LABEL

- NOTES
- PER REEL 3000 CONNECTORS
 - THE DIMENSIONS IN PARENTHESES ARE FOR REFERENCE.
 - REFER TO JIS C 0806 (PACKAGING OF COMPONENTS FOR AUTOMATIC HANDLING)
 - DETAIL OF PART NO. LABEL IS WRITTEN IN JAPANESE.

CODE NO. (OLD)	DRAWN	DESIGNED	CHECKED	APPROVED	RELEASED
	A. Aoyagi	J. Yamamoto	T. Miyajima	M. Nakamura	
	'07. 6. 6	07. 6. 6	07. 06. 07	07. 06. 07	
SCALE	DRAWING NO.	PART NO.			
5 : 1	EDC3-163722-03	DF23C-14DP-0.5V(91)			
UNITS	HIROSE ELECTRIC CO., LTD	CODE NO.	CL688-0800-5-91		
mm				2	

TO