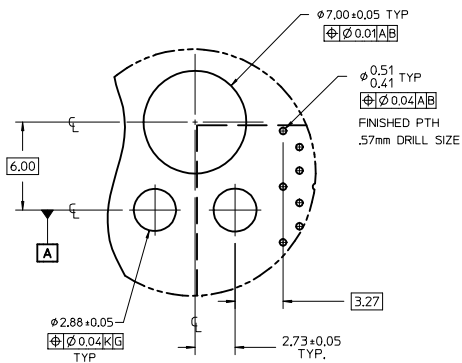


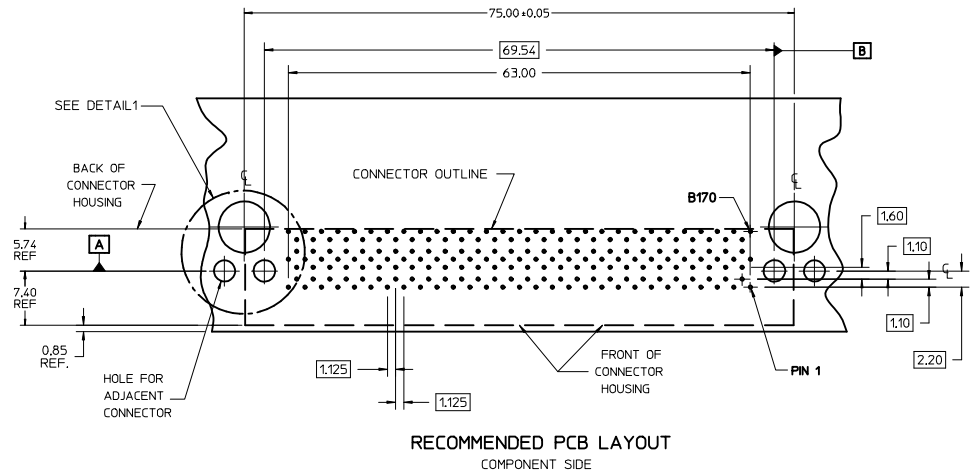
**PRODUCT IS RoHS COMPLIANT**

- NOTES:
- MATERIAL  
CONNECTOR HOUSING: GLASS FILLED LCP, 94 V-0  
COLOR: BLACK  
WAFERS: GLASS FILLED LCP  
COLOR: BLACK,  
TERMINALS: HIGH PERFORMANCE COPPER ALLOY
  - FINISH:  
CONTACT AREA: 0.75H MIN. HARD GOLD  
OVER 1.25H MIN. NICKEL  
COMPLIANT AREA: 0.75-1.50H MIN (LEAD-FREE)  
OVER 1.25H MIN. NICKEL
  - REFER TO PS-75800-001 PRODUCT SPEC FOR ALL ELECTRICAL, MECHANICAL, AND ENVIRONMENTAL SPECIFICATIONS.
  - REFER TO PK-75800-203 FOR ALL PACKAGING SPECIFICATIONS.
  - REFER TO AS-75800-999 FOR BOARD APPLICATION INFORMATION.
  - REFER TO AS-75800-002 FOR BOARD LAYOUT ROUTING RECOMMENDATIONS.
  - REFER TO AS-75800-003 FOR SI GUIDELINE FIXTURE DEFINITIONS.
  - DATE CODE AND PART NUMBER TO BE LASER ETCHED IN APPROXIMATE LOCATION SHOWN OR APPLIED BY LABEL. INFO TO INCLUDE PART NUMBER, MANUFACTURING FACILITY AND DATE CODE IN THE FORMAT OF WEEK AND LAST TWO DIGITS OF THE YEAR, WWYY.

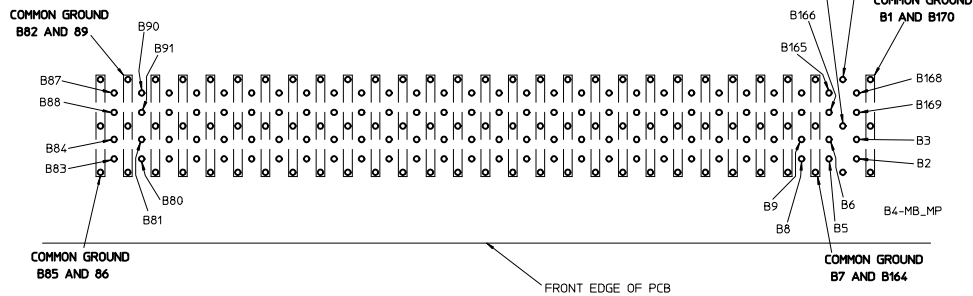
<b>REDRAWN</b> IEC NO: UCP2013-4165 2013/03/21 DRWNS:SBIGLEL CHKD: APPR:MBANKS 2013/03/28	QUALITY SYMBOLS	GENERAL TOLERANCES (UNLESS SPECIFIED)	DIMENSION STYLE	SCALE	DESIGN UNITS	THIRD ANGLE PROJECTION	
	$\nabla=0$ $\nabla=0$ $\nabla=0$	mm INCH 4 PLACES # --- # --- 3 PLACES # --- # .005 2 PLACES # 0.13 # .010 1 PLACE # 0.25 # --- 0 PLACE # #	MM ONLY	2:1	METRIC	DRAWN BY DATE HAVERY 2006/08/30 CHECKED BY DATE APPROVED BY DATE	TITLE ADVANCED MC (AMC) B+ STYLE CONNECTOR
	ANGULAR $\pm 1/2^\circ$ DRAFT WHERE APPLICABLE MUST REMAIN WITHIN DIMENSIONS	MATERIAL NO.	DOCUMENT NO.	SHEET NO.			
	SIZE D	75800-0001	SD-75800-001	1 OF 2	moLEX THIS DRAWING CONTAINS INFORMATION THAT IS PROPRIETARY TO MOLEX INCORPORATED AND SHOULD NOT BE USED WITHOUT WRITTEN PERMISSION		



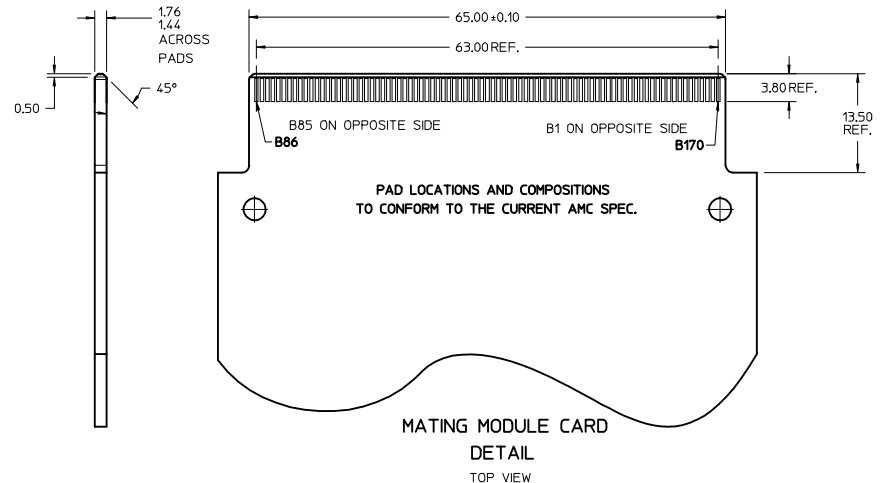
DETAIL 1  
SCALE 6:1



RECOMMENDED PCB LAYOUT  
COMPONENT SIDE



CONNECTOR PINOUT  
COMPONENT SIDE



MATING MODULE CARD  
DETAIL  
TOP VIEW

<b>SEE SHEET 1</b> IEC NO: UCP2013-4165 DRAWING: S0101EL CHYD: APPR: MBANKS 2013/03/28	QUALITY SYMBOLS	GENERAL TOLERANCES (UNLESS SPECIFIED)	DIMENSION STYLE	SCALE	DESIGN UNITS	THIRD ANGLE PROJECTION																		
	$\nabla=0$ $\nabla=0$ $\nabla=0$	<table border="1"> <tr> <th></th> <th>mm</th> <th>INCH</th> </tr> <tr> <td>4 PLACES</td> <td>±---</td> <td>±---</td> </tr> <tr> <td>3 PLACES</td> <td>±---</td> <td>±.005</td> </tr> <tr> <td>2 PLACES</td> <td>±0.13</td> <td>±.010</td> </tr> <tr> <td>1 PLACE</td> <td>±0.25</td> <td>±---</td> </tr> <tr> <td>0 PLACE</td> <td>±</td> <td>±</td> </tr> </table>		mm	INCH	4 PLACES	±---	±---	3 PLACES	±---	±.005	2 PLACES	±0.13	±.010	1 PLACE	±0.25	±---	0 PLACE	±	±	MM ONLY	2:1	METRIC	
		mm	INCH																					
	4 PLACES	±---	±---																					
3 PLACES	±---	±.005																						
2 PLACES	±0.13	±.010																						
1 PLACE	±0.25	±---																						
0 PLACE	±	±																						
DRAWN BY: HAVERY CHECKED BY: APPROVED BY:	DATE: 2006/08/30 DATE: DATE:	TITLE: ADVANCED MC (AMC) B+ STYLE CONNECTOR																						
	MATERIAL NO: 75800-0001 SIZE: D	DOCUMENT NO: SD-75800-001																						

SHEET NO.  
2 OF 2

THIS DRAWING CONTAINS INFORMATION THAT IS PROPRIETARY TO MOLEX INCORPORATED AND SHOULD NOT BE USED WITHOUT WRITTEN PERMISSION