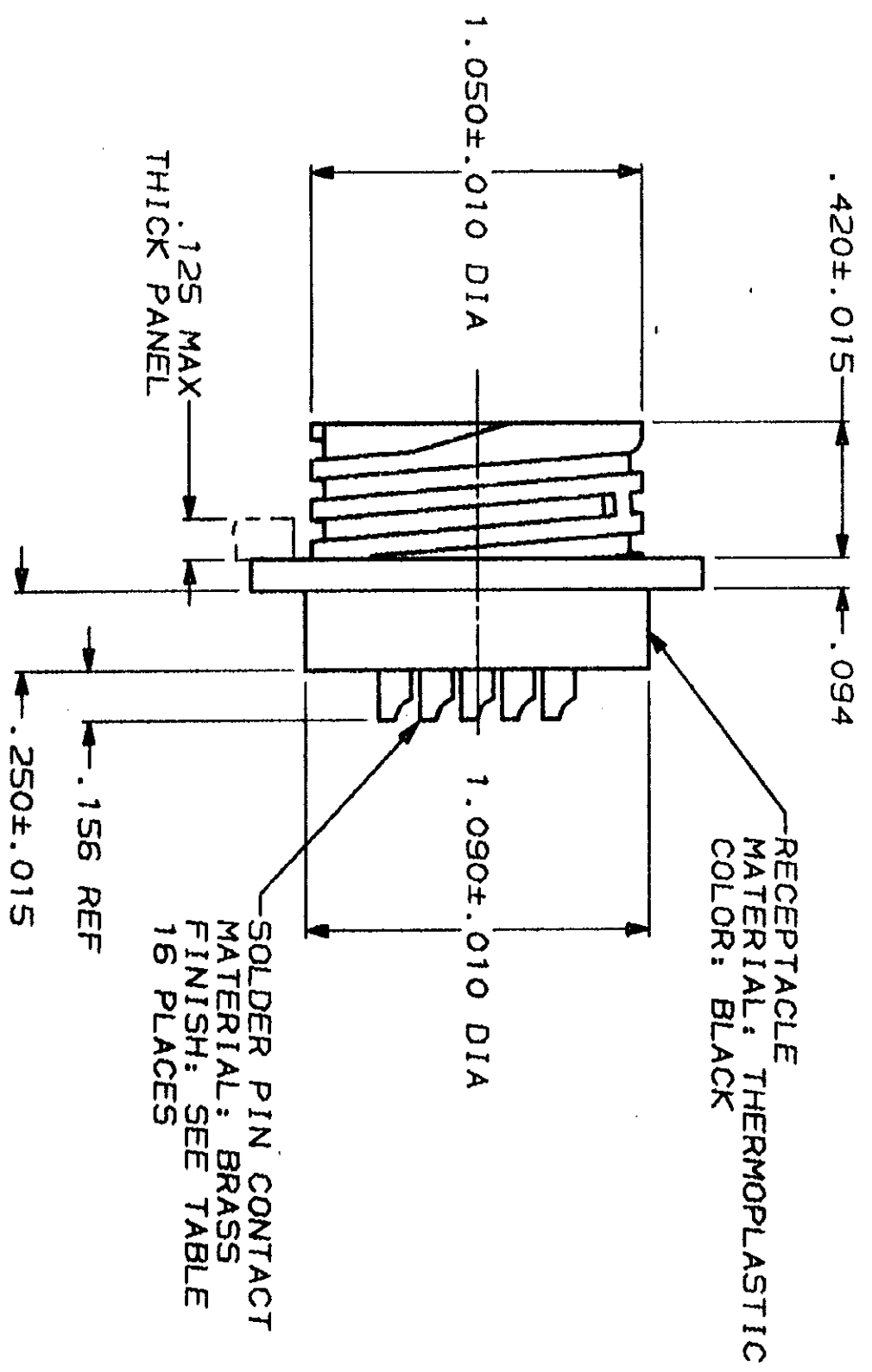
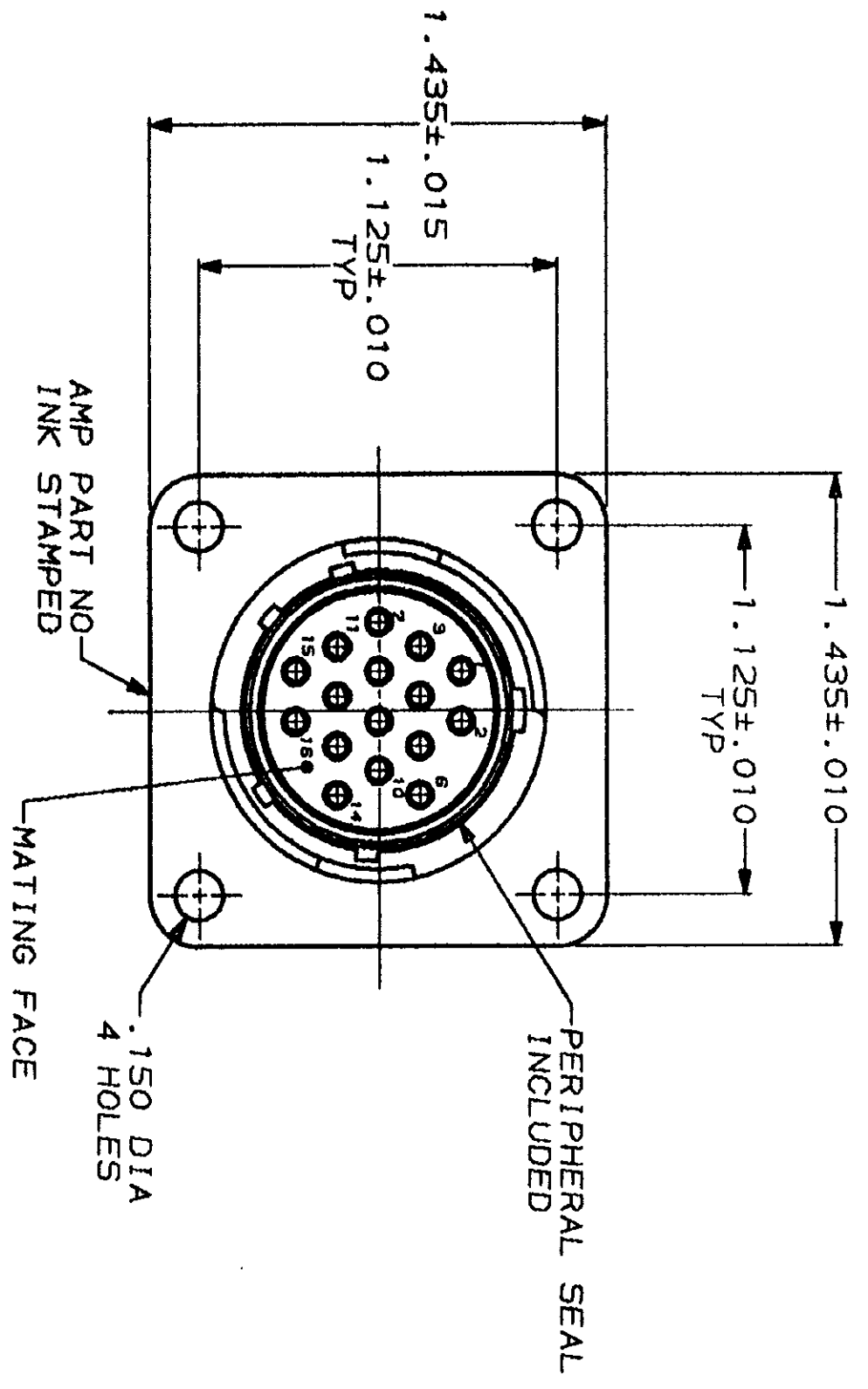


DRAWING MADE IN THIRD ANGLE PROJECTION
 THIS DRAWING IS UNPUBLISHED.
 COPYRIGHT 1981 BY AMP INCORPORATED. ALL INTERNATIONAL RIGHTS RESERVED. .19

NO. 23	REV. BD	DATE 5-21-91
ZONE C	LTR	APPRO
REVISIONS	DESCRIPTION	DATE
1	REDRAWN	-



△ GOLD PER MIL-G-45204 OVER NICKEL PER QQ-N-290.
 △ TIN PER MIL-T-10727 OVER COPPER PER MIL-C-14550.

DO NOT SCALE PRINT. UNLESS SPECIFIED DIMENSIONS IN INCHES TOLERANCES ON: 1. PLC DEC # .005 2. PLC DEC # .005 3. PLC DEC # .005 ANGLES MATERIAL		DR 5-21-91 J GALLUCCI BS	
SEE CALLOUT		CHK 4-9-92 W.S. LENKER	
SEE TABLE		APPD 4-9-92 K. BEAVER	
FINISH		APPD 4-9-92 C. RONDE	
SEE TABLE		PRODUCT SPEC 108-10024	
APPLICATION SPEC		NAME	
WEIGHT		AMP	
SCALE 2:1		AMP Incorporated	
SIZE CAGE CODE 00779		Harrisburg, PA 17105-3608	
DRAWING NO 206404		RECEPTACLE ASSEMBLY W/SOLDER CUP CONTACTS, STD SEX, SERIES 1, 17-16, CPC	
SHEET 1 OF 1			

CONTACT FINISH	206404-2
PART NUMBER	206404-1

206404

CUSTOMER DRAWING