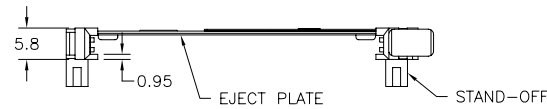
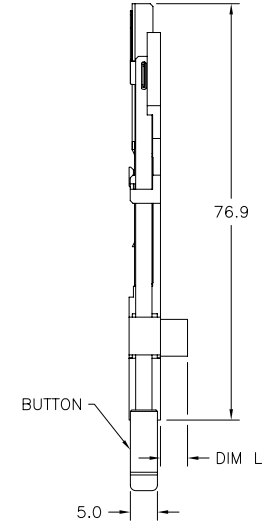
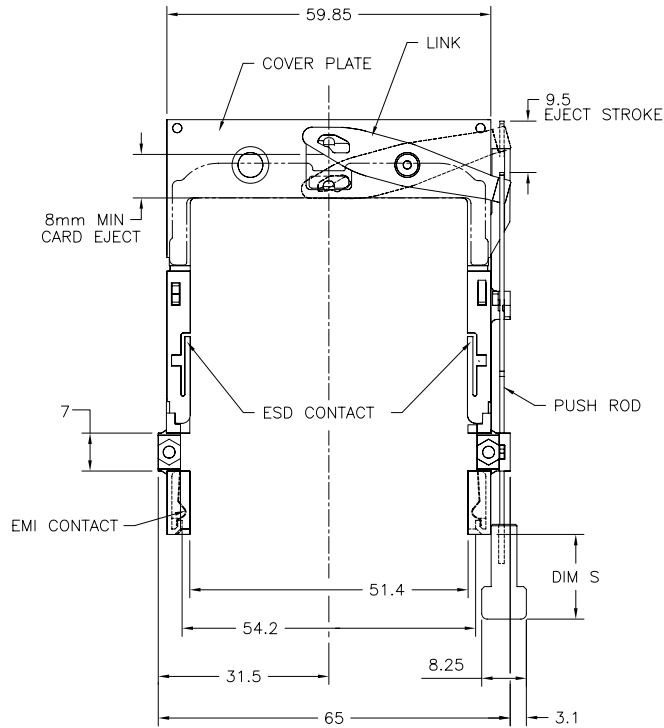
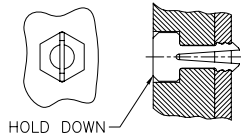


PRODUCT NO. NOTE ⑤	STAND-OFF DIM L	DIM S	BUTTON COLOR
95079-00CA	0	13	BLACK
95079-00CALF	0		
95079-02CA	2		
95079-02CALF	2		
95079-04CA	4		
95079-05CA	5		
95079-00DA	0	15.6	BLACK
95079-02DA	2		
95079-04DA	4		
95079-05DA	5		
95079-00FA	0	21	BLACK
95079-02FA	2		
95079-04FA	4		
95079-05FA	5		
95079-00CH	0	13	NATURAL
95079-02CH	2		
95079-04CH	4		
95079-05CH	5		
95079-00DH	0		
95079-02DH	2		
95079-04DH	4		
95079-05DH	5		
95079-00FH	0	21	NATURAL
95079-02FH	2		
95079-04FH	4		
95079-05FH	5		



NOTES:

- EJECT PLATE TO MOVE ALONG INSIDE WALL OF COVER PLATE SMOOTHLY AFTER ASSEMBLING WITH HEADER.
- MATERIAL:
PLASTIC GUIDES: POLYPHTHARAMIDE UL94V-0 BLACK
COVER PLATE: STAINLESS STEEL
EMI CONTACT: PHOSPHOR BRONZE
- FINISH:
EMI CONTACT:
CONTACT AREA: 0.5um Au
UNDER PLATING: 2.0um Ni
- ADD "H" TO PART NUMBER FOR OPTIONAL HOLD DOWN (2 PER ASSEMBLY).

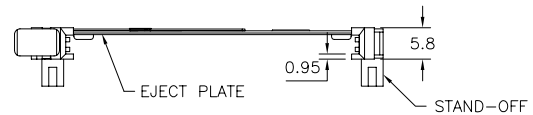
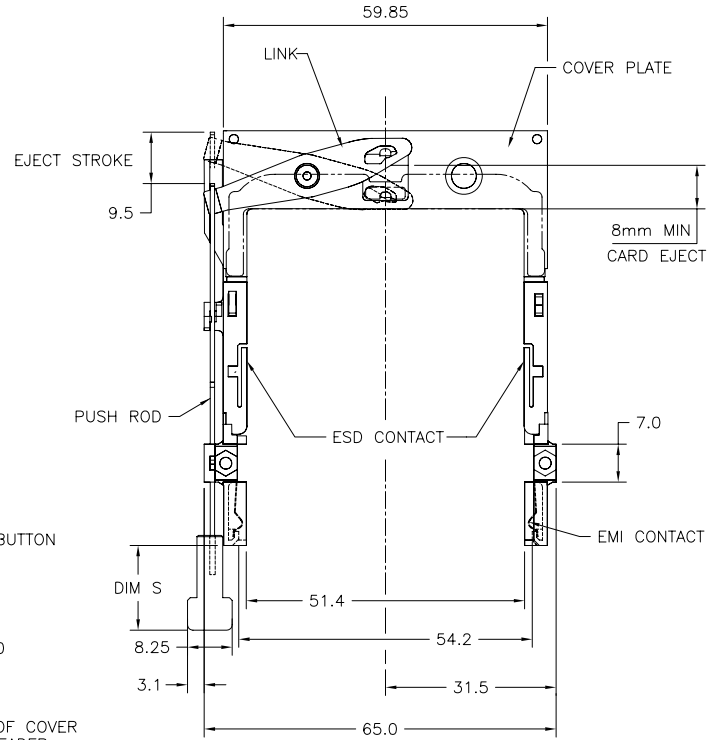
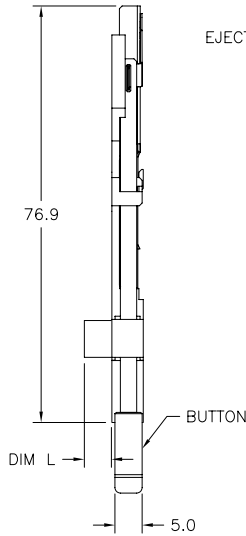


- RECOMMENDED SCREW TORQUE: 1.0 TO 1.5 MAX in-lbs. (1.2-1.7 cm-kgs).

mat'l. code		surface		tolerance	projection	product family	
ltr	ecn no	dr	date	tolerances unless otherwise specified		MM	title
F	V91417	CGC	7/2/99	angles	linear		
G	V03-0522	WL	05/29/03			scale	NARROW BODY FRONT EJECT TYPE 123 MECHANISM ASS'Y
H	T03-0485	WL	11/03/03	±2'			
J	N06-0034	M Z	02/13/06	dr	Mike Zhou	05/25/06	dwg no
K	N06-0135	M Z	05/25/06	enrg	Mike Zhou	05/25/06	
L	N06-0110	M Z	06/29/06	chr	Mike Zhou	05/25/06	95079
M	ELX-N-18397	HJ	07/30/14	appd	Qin David	05/25/06	
sheet	revision	M	M	M			
index	sheet	1	2	3			

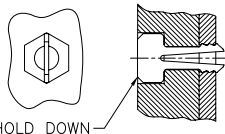


PRODUCT NO. NOTE ⑤	STAND-OFF DIM L	DIM S	BUTTON COLOR
95079-10CA	0	13	BLACK
95079-10CALF	0		
95079-12CA	2		
95079-14CA	4		
95079-15CA	5		
95079-15CAH	5		
95079-10DA	0	15.6	BLACK
95079-12DA	2		
95079-14DA	4		
95079-15DA	5		
95079-10FA	0	21	BLACK
95079-12FA	2		
95079-14FA	4		
95079-15FA	5		
95079-10CH	0	13	NATURAL
95079-12CH	2		
95079-14CH	4		
95079-15CH	5		
95079-10DH	0	15.6	NATURAL
95079-12DH	2		
95079-14DH	4		
95079-15DH	5		
95079-10FH	0	21	NATURAL
95079-12FH	2		
95079-14FH	4		
95079-15FH	5		



NOTES:

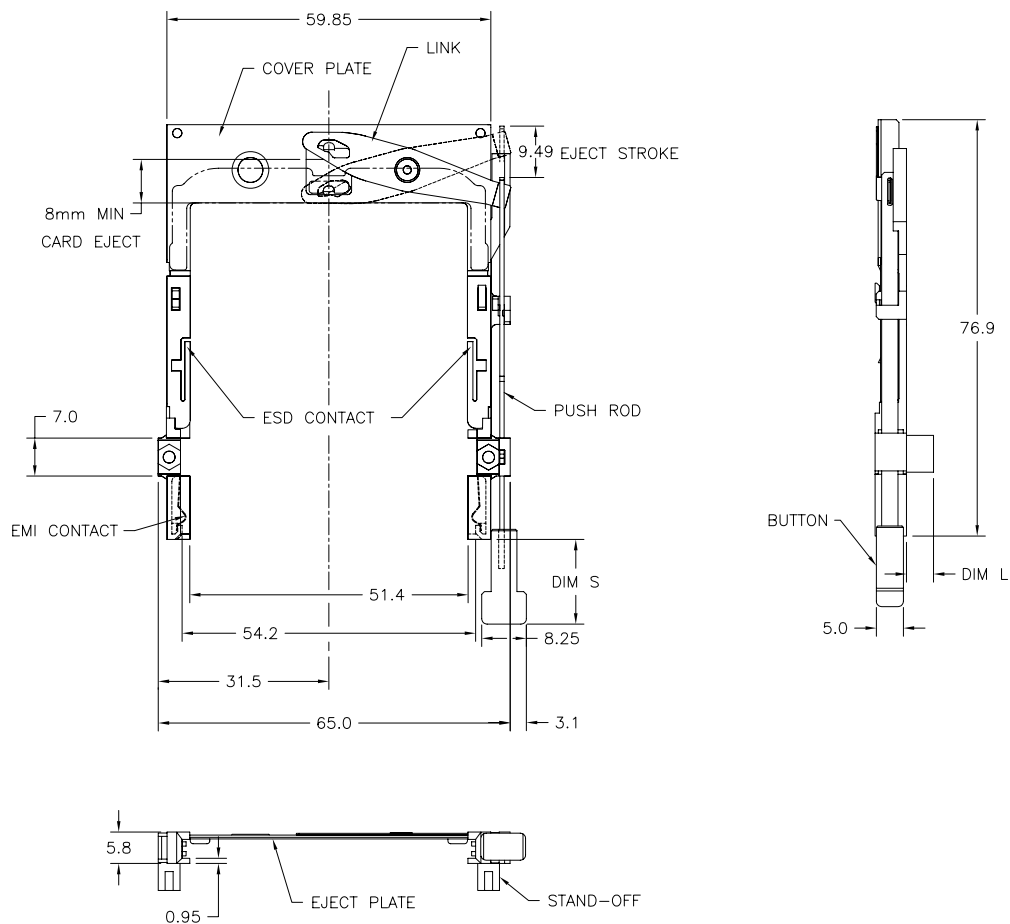
- EJECT PLATE TO MOVE ALONG INSIDE WALL OF COVER PLATE SMOOTHLY AFTER ASSEMBLING WITH HEADER.
- MATERIAL:
PLASTIC GUIDES: POLYPHTHARAMIDE UL94V-0 BLACK
COVER PLATE: STAINLESS STEEL
EMI CONTACT: PHOSPHOR BRONZE
- FINISH:
EMI CONTACT:
CONTACT AREA: 0.5um Au
UNDER PLATING: 2.0um Ni
- ADD "H" TO PART NUMBER FOR OPTIONAL HOLD DOWN (2 PER ASSEMBLY).



- RECOMMENDED SCREW TORQUE: 1.0 TO 1.5 MAX in-lbs. (1.2-1.7 cm-kg).

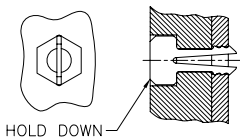
mat'l. code		surface		tolerance		projection		product family	
ltr	ecn no	dr	date	tolerances unless otherwise specified				title	
M				angles	linear	±0.15	MM	NARROW BODY FRONT EJECT TYPE 123 MECHANISM ASS'Y	
				±2'			scale	dwg no sheet 2 of 3 size	
				dr	Mike Zhou	05/25'06		95079 A4	
				enfr	Mike Zhou	05/25'06		type CUSTOMER Drawing	
				chr	Mike Zhou	05/25'06			
				appd	Qin David	05/25'06			
sheet index	revision sheet								

PRODUCT NO. NOTE ⑤	STAND-OFF DIM L	DIM S	BUTTON COLOR
95079-00MCA	0	13	BLACK



NOTES:

- EJECT PLATE TO MOVE ALONG INSIDE WALL OF COVER PLATE SMOOTHLY AFTER ASSEMBLING WITH HEADER.
- MATERIAL:
PLASTIC GUIDES: POLYPHTHARAMIDE UL94V-0 BLACK
COVER PLATE: STAINLESS STEEL
EMI CONTACT: PHOSPHOR BRONZE
- FINISH:
EMI CONTACT:
CONTACT AREA: 0.5um Au
UNDER PLATING: 2.0um Ni
- ADD "H" TO PART NUMBER FOR OPTIONAL HOLD DOWN (2 PER ASSEMBLY).



- RECOMMENDED SCREW TORQUE: 1.0 TO 1.5 MAX in-lbs. (1.2-1.7 cm-kgs).

mat'l. code		surface		tolerance		projection		product family	
ltr	ecn no	dr	date	tolerances unless otherwise specified				title	
M				angles	linear	±0.15		NARROW BODY FRONT EJECT TYPE 123 MECHANISM ASS'Y	
				±2'		MM			
						scale		dwg no	
				dr	Mike Zhou	05/25'06		sheet 3 of 3 size	
				enr	Mike Zhou	05/25'06		95079 A4	
				chr	Mike Zhou	05/25'06			
				appd	Qin David	05/25'06		type CUSTOMER Drawing	
sheet index	revision sheet								

FCI CONFIDENTIAL



FCIconnect.com

This document is the property of and embodies CONFIDENTIAL and PROPRIETARY information of FCI. No part of the information shown on this document may be used in any way or disclosed to others without the written consent of FCI. Copyright FCI.