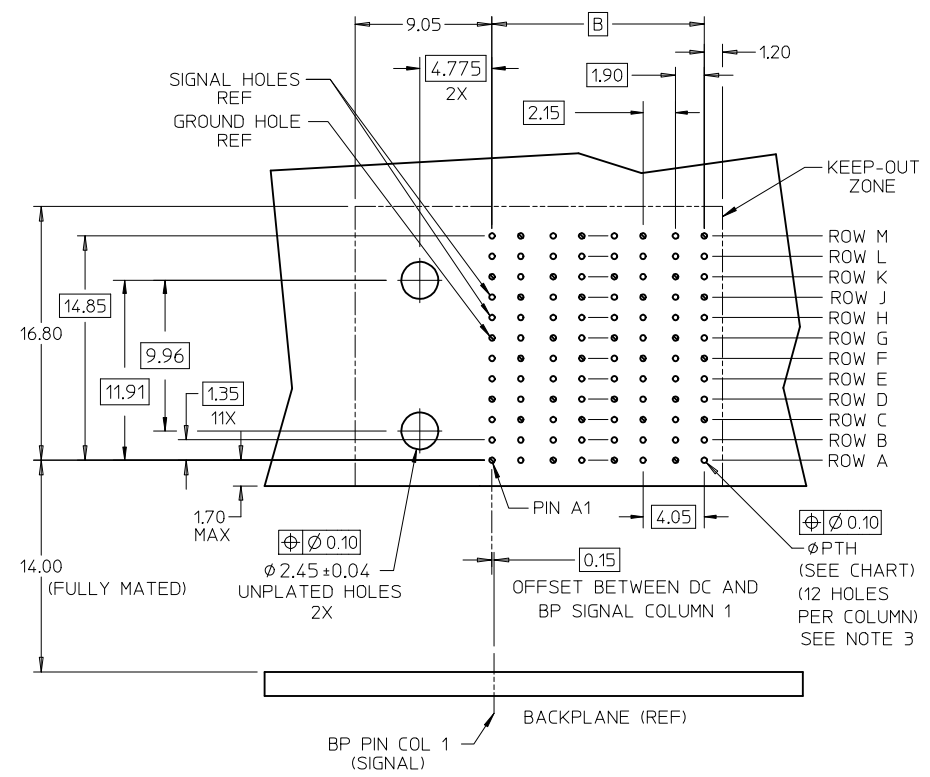
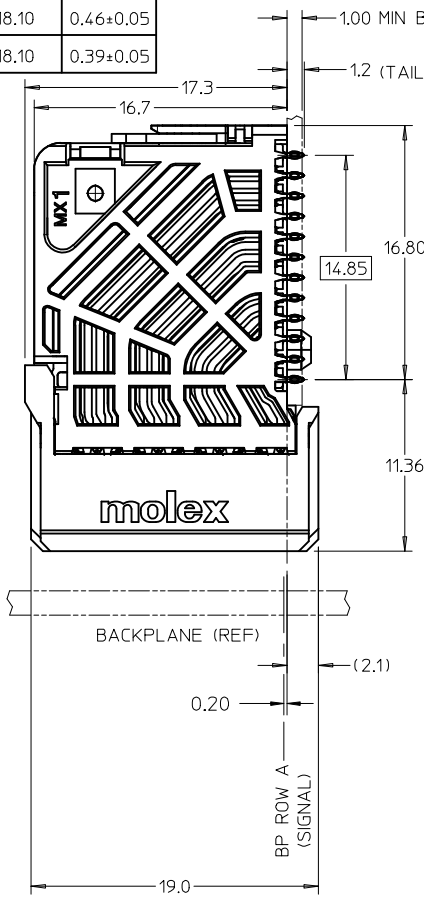
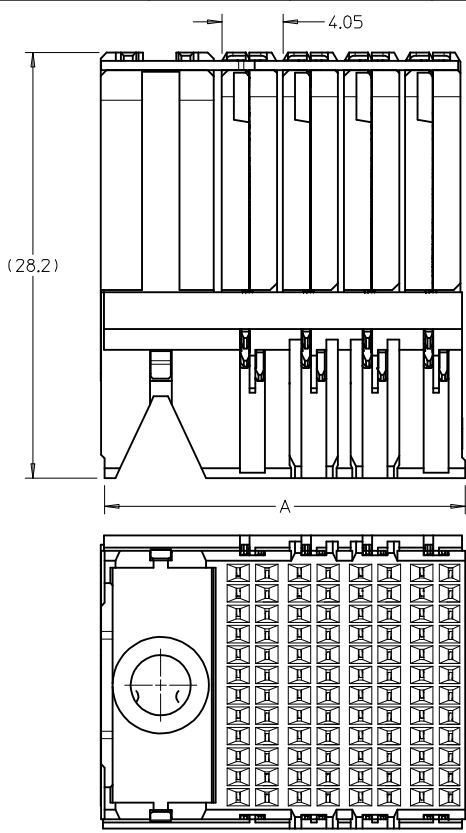
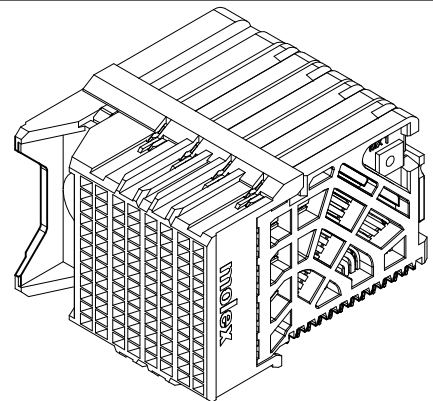


MATERIAL NUMBER	# OF COLUMNS	# OF DIFF PAIR	DIM "A" MAX	DIM "B"	PTH ϕ
76850-3006	6	24	20.25	10.00	0.46 \pm 0.05
76850-3036	6	24	20.25	10.00	0.39 \pm 0.05
76850-3008	8	32	24.30	14.05	0.46 \pm 0.05
76850-3038	8	32	24.30	14.05	0.39 \pm 0.05
76850-3010	10	40	28.35	18.10	0.46 \pm 0.05
76850-3020	10	40	28.35	18.10	0.39 \pm 0.05

76850- \times 0 \times

MODULE & TAIL PLATING TYPE
3 = LEFT GUIDED, LEAD-FREE

OF COLUMNS
06 = 6 COL 0.46 PTH
36 = 6 COL 0.39 PTH
08 = 8 COL 0.46 PTH
38 = 8 COL 0.39 PTH
10 = 10 COL 0.46 PTH
20 = 10 COL 0.39 PTH



- NOTES:
1. MATERIALS: HOUSING - LIQUID CRYSTAL POLYMER (LCP), GLASS-FILLED, UL94V-0
TERMINALS - HIGH PERFORMANCE COPPER ALLOY
 2. FINISH: 30 μ IN MIN GOLD IN CONTACT AREA, SELECTIVE TIN ON PCB TAILS, NICKEL OVERALL.
 3. REFER TO MOLEX PRODUCT SPEC PS-76060-999 FOR PERFORMANCE SPECIFICATIONS AND ADDITIONAL PCB INFORMATION.
 4. EACH SIGNAL WAFER CONTAINS 2 COLUMNS OF TERMINALS.
 5. PRODUCT IS PACKAGED PER PK-70873-610.
 6. THIS PART CONFORMS TO CLASS B REQUIREMENTS OF COSMETIC SPEC PS-45499-002.
 7. REFER TO MOLEX SALES DRAWING SD-76845-002 FOR THE MATING HEADERS.
 8. WHEN USING MOLEX SUPPLIED #2-32 SCREW 73726-0000 (9.50mm \pm 0.38 THREADABLE SCREW LENGTH), THE MAXIMUM BOARD THICKNESS IS 4.4mm.
 9. REFER TO MOLEX ROUTING GUIDE AS-76850-990 FOR ADDITIONAL PCB LAYOUT AND ROUTING RECOMMENDATIONS.

REMOVE TIN-LEAD REF EC NO: UCP2015-5541 DRAWN BY MILLER 2015/06/29 CHKD: APPR:TELO 2015/07/07	QUALITY SYMBOLS ∇ =0 ∇ =0	GENERAL TOLERANCES (UNLESS SPECIFIED)		DIMENSION STYLE MM ONLY	SCALE 4:1	DESIGN UNITS METRIC	THIRD ANGLE PROJECTION	
		mm	INCH	DRAWN BY JLAURX	DATE 2009/02/12	IMPACT DAUGHTERCARD 4 PAIR ORTHOGONAL GUIDE LEFT SALES DWG		
		4 PLACES \pm --- \pm ---	3 PLACES \pm --- \pm ---	CHECKED BY TELO	DATE 2010/01/13			
		2 PLACES \pm 0.15 \pm ---	1 PLACE \pm 0.25 \pm ---	APPROVED BY JLAURX	DATE 2010/11/04	MOLEX MOLEX INCORPORATED		
DRAFT WHERE APPLICABLE MUST REMAIN WITHIN DIMENSIONS		ANGULAR \pm 1/2 $^\circ$		MATERIAL NO. SEE CHART	DOCUMENT NO. SD-76850-002	SHEET NO. 1 OF 1		
THIS DRAWING CONTAINS INFORMATION THAT IS PROPRIETARY TO MOLEX INCORPORATED AND SHOULD NOT BE USED WITHOUT WRITTEN PERMISSION								