

MATERIALS AND FINISHES

PART NO.73413-0050

BODY BRASS  
PLATED GOLD

CENTER CONTACT BERYLLIUM COPPER  
PLATED GOLD

INSULATOR TEFLON

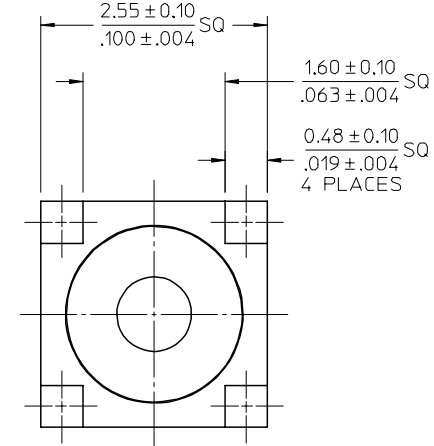
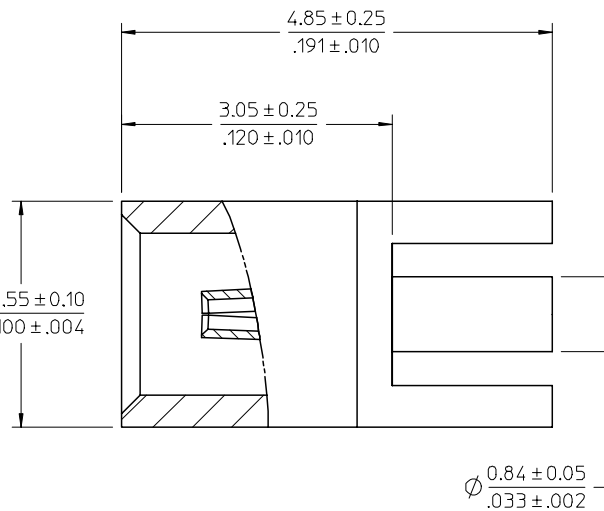
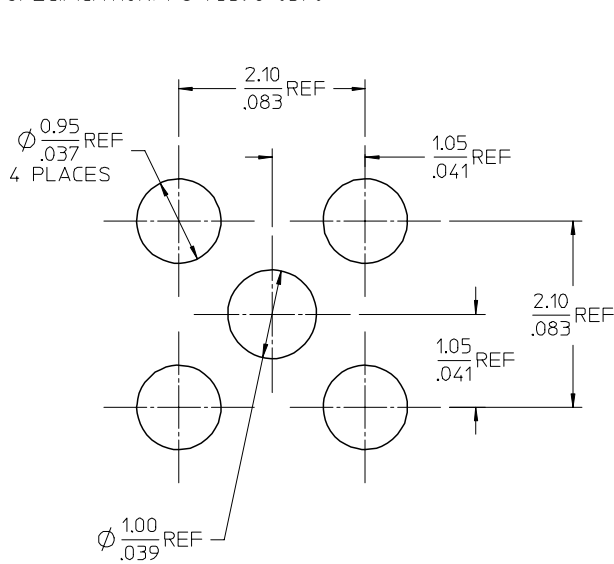
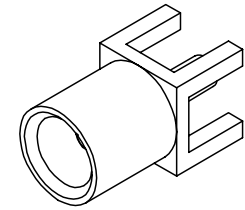
SPECIFICATION: PS-73598-0370

PART NO.73413-0051

BODY BERYLLIUM COPPER  
PLATED TRI-METAL

CENTER CONTACT BERYLLIUM COPPER  
PLATED GOLD

INSULATOR TEFLON



73413-0051	NON-MAGNETIC TYPE
73413-0050	GENERAL TYPE
PART NUMBER	DESCRIPTION

73413-0052	73413-0050, ONE PER BAG
73413-0051	BULK
73413-0050	BULK
PART NO.	PACKAGING

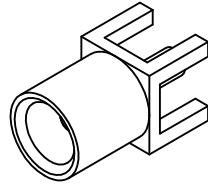
CHG: UPDATED  
DEPICTION OF BODY  
AND CONTACT  
4.85±0.25 WAS  
4.92±0.25, 3.05±0.25  
WAS 3.12±0.25  
ADDED -0052  
EC NO: URF2007-0301  
2007/01/29  
DRAWN:SSHAH  
2007/01/29  
CHKD:IF LAHERY  
2007/01/29  
APPR:JIMENER  
2007/01/29  
A4

QUALITY SYMBOLS

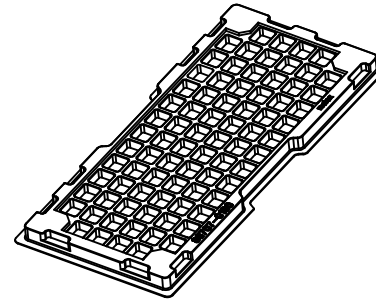
GENERAL TOLERANCES (UNLESS SPECIFIED)	
mm	INCH
4 PLACES ± .010	± .0004
3 PLACES ± .015	± .0005
2 PLACES ± .020	± .0008
1 PLACE ± .030	± .0012
ANGULAR ± 2 °	
DRAFT WHERE APPLICABLE MUST REMAIN WITHIN DIMENSIONS	

DIMENSION STYLE	
MM/IN	
DRAWN BY	DATE
JOHN	2005/03/24
CHECKED BY	DATE
PENNY	2005/03/24
APPROVED BY	DATE
MISEN	2005/03/24
MATERIAL NO.	
SEE TABLE	

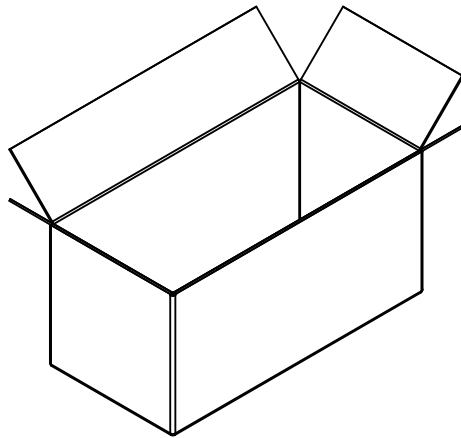
SCALE	DESIGN UNITS	THIRD ANGLE PROJECTION
	METRIC	
SSMCX, 50 OHM VERTICAL JACK PCB TYPE SSMCX-J/PCB		
MOLEX INCORPORATED		
MATERIAL NO.	DOCUMENT NO.	SHEET NO.
SD-73413-005		1 OF 1
THIS DRAWING CONTAINS INFORMATION THAT IS PROPRIETARY TO MOLEX INCORPORATED AND SHOULD NOT BE USED WITHOUT WRITTEN PERMISSION		



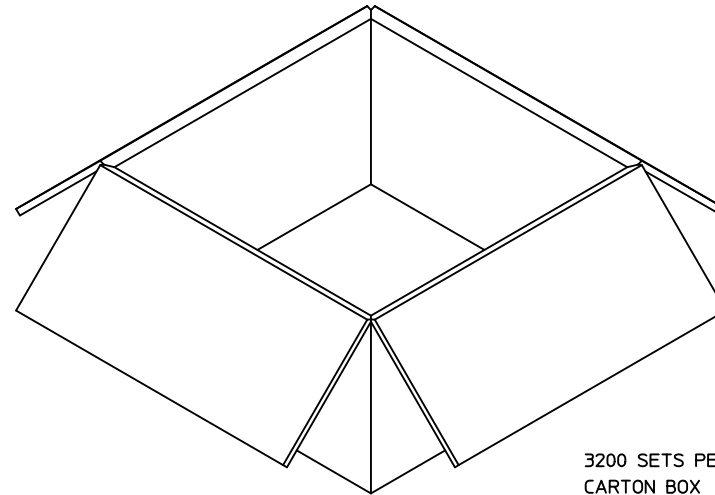
PART NO. 73413-0050



80 SETS PERE TRAY  
TRAY P/N 89707-0190  
360\*165\*18.6 MM



1600 SETS PER INNER  
CARTON BOX  
P/N 96707-0001  
367\*173\*188 MM



3200 SETS PER OUTER  
CARTON BOX  
P/N 96708-0005  
385\*367\*206 MM

CHG NEW RELEASE CUSTOMER REQUEST ECR NO: 201205077	DRAWN: CHENG 2012/05/08 CHKD: APPR: MHUANG 2012/05/11	DESCRIPTION REV: A	QUALITY SYMBOLS	GENERAL TOLERANCES (UNLESS SPECIFIED)		DIMENSION STYLE	SCALE	DESIGN UNITS	THIRD ANGLE PROJECTION
			▽=0	mm	INCH	MM/IN	METRIC	TITLE PACKING FOR 73413-0050	
			▽=0	4 PLACES ± --- ± ---	3 PLACES ± --- ± ---	DRAWN BY DATE YCHENG 2012/05/08	CHECKED BY DATE		
			▽=0	2 PLACES ± --- ± ---	1 PLACE ± --- ± ---	0 PLACE ± --- ± ---	APPROVED BY DATE MHUANG 2012/05/11	MATERIAL NO.	DOCUMENT NO.
			ANGULAR ± 2 °		DRAFT WHERE APPLICABLE MUST REMAIN WITHIN DIMENSIONS		SD-73413-005PKG		1 OF 1
						THIS DRAWING CONTAINS INFORMATION THAT IS PROPRIETARY TO MOLEX INCORPORATED AND SHOULD NOT BE USED WITHOUT WRITTEN PERMISSION			