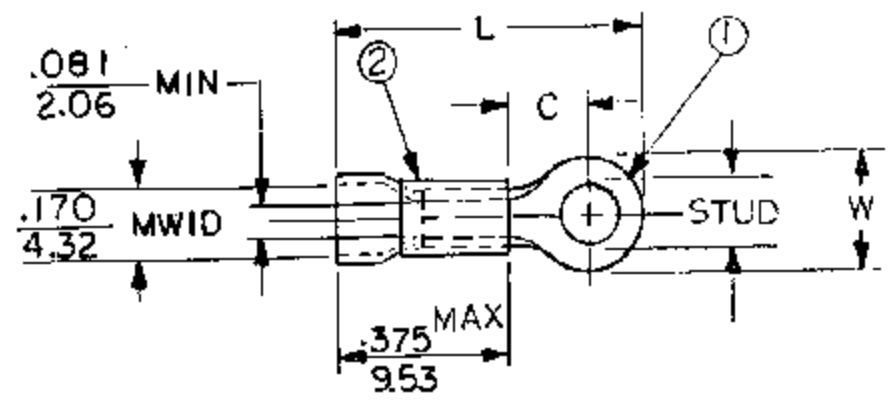


**NOTES:**

- ① MAT'L: COPPER (STOCK TKN.  $\frac{031}{79}$ )  
PLATING: ELECTRO TIN (.0003 MIN)
- ② TIN-PLATED BRASS FUNNEL FERRULE

REF. (A)



**STUD SIZES: ( $\pm .005$ )**

02	= .094	209	= 209
04	= .119	413	= 413
06	= .146		
08	= .173		
10	= .198		
14	= .265		
56	= .328		
38	= .390		

"UL" LISTING # E32244  
"CSA" LISTING # 18689

WIRE SIZE: 16-14 AWG  
1.0-2.5 MM<sup>2</sup>

ALL DIMENSIONS =  $\frac{\text{INCHES}}{\text{MM}}$  (MWID) DENOTES MAXIMUM WIRE INSULATION DIAMETER

PART NUMBER	"W" $\pm .010$	"C" MIN.	"L" MAX.	AVAILABLE STUD SIZES
BB-418-	$\frac{.534}{13.56}$	$\frac{.554}{14.07}$	$\frac{1.231}{31.27}$	10, 14, 56, 38, 413
BB-423-	$\frac{.250}{6.35}$	$\frac{.209}{5.31}$	$\frac{.755}{19.18}$	02, 04, 06, 08
BB-425-	$\frac{.467}{11.86}$	$\frac{.388}{9.86}$	$\frac{1.032}{26.21}$	10, 14, 56
BB-437-	$\frac{.312}{7.92}$	$\frac{.285}{7.24}$	$\frac{.840}{21.33}$	04, 06, 08, 10, 209
BB-439-	$\frac{.342}{8.69}$	$\frac{.310}{7.87}$	$\frac{.891}{22.64}$	04, 06, 08, 10

DIMENSIONAL TOLERANCES UNLESS OTHERWISE SPECIFIED			REFERENCE	SCALE: NTS	DATE	TITLE: RING TONGUE TERMINAL VIBRAKRIMP 400-SERIES	
FRAC.	DEC.	ANG.		DRWN. BY: JJ	11-21-84		
$\pm$	$\pm$	$\pm$		CHKD. BY: 67	12-4-84		
				APPRD. BY:			
			ETC 30245 R 11/7 RGM			DWG. NO. <b>A</b>	CUSTOMER DWG